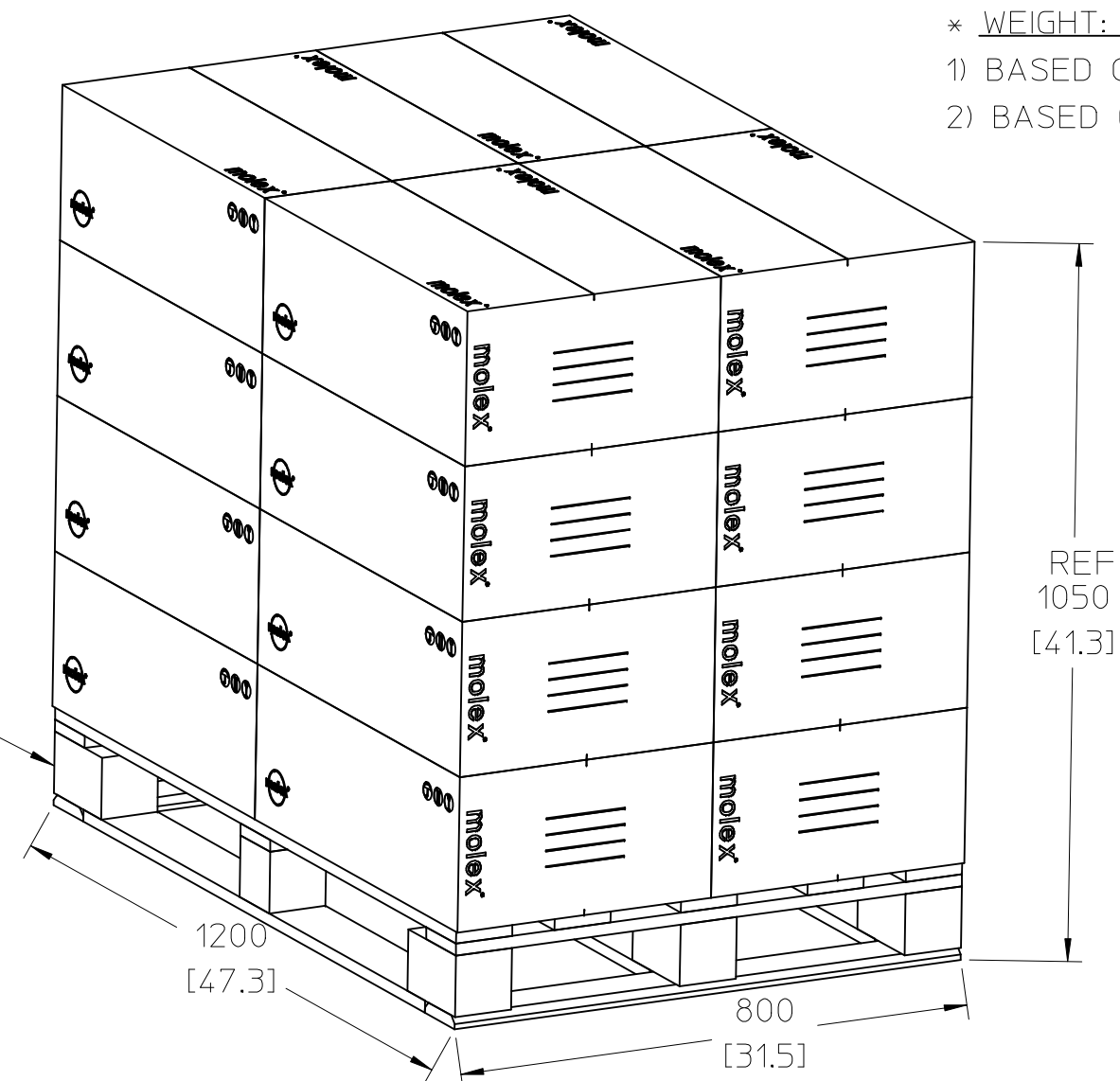
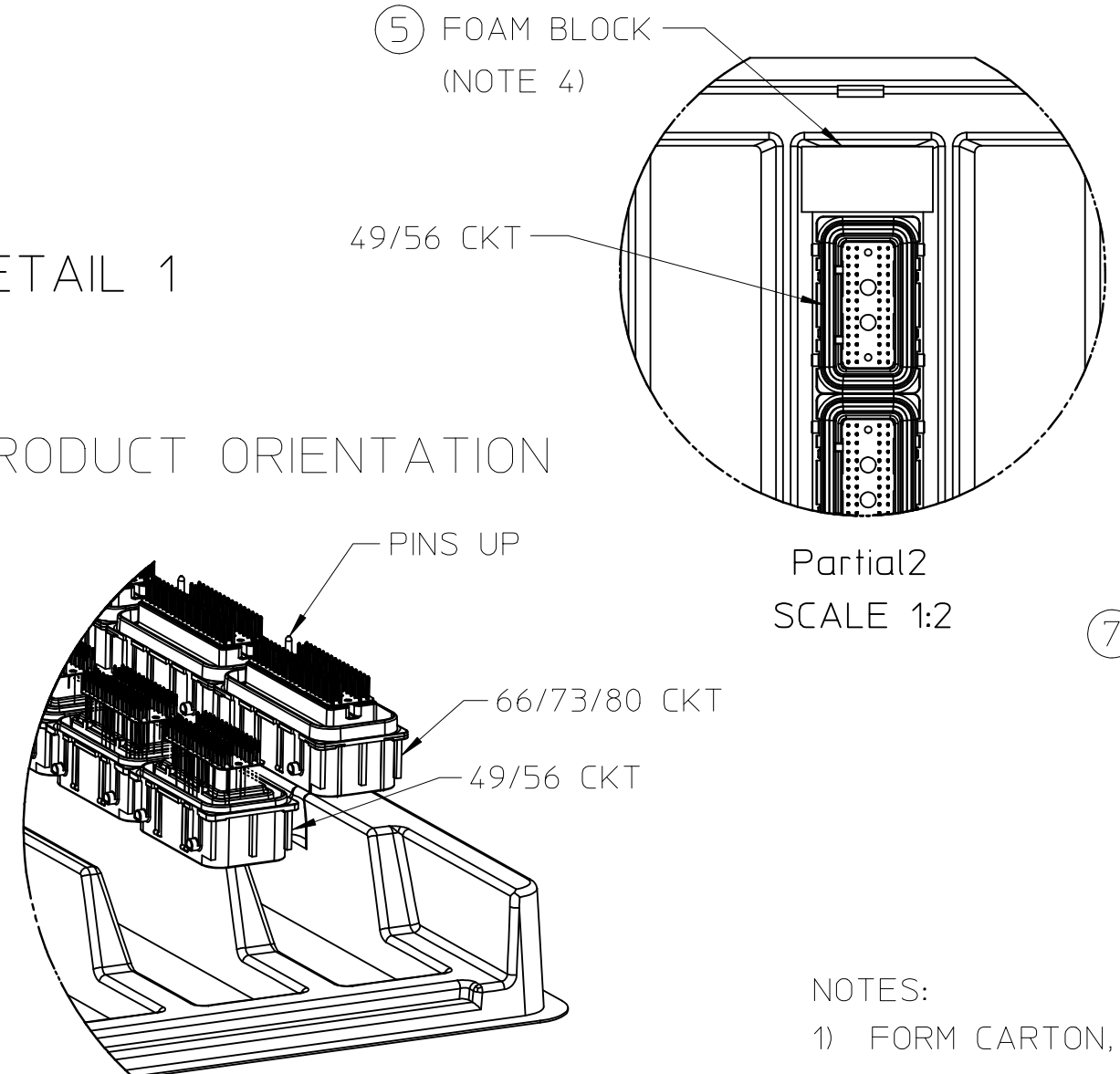
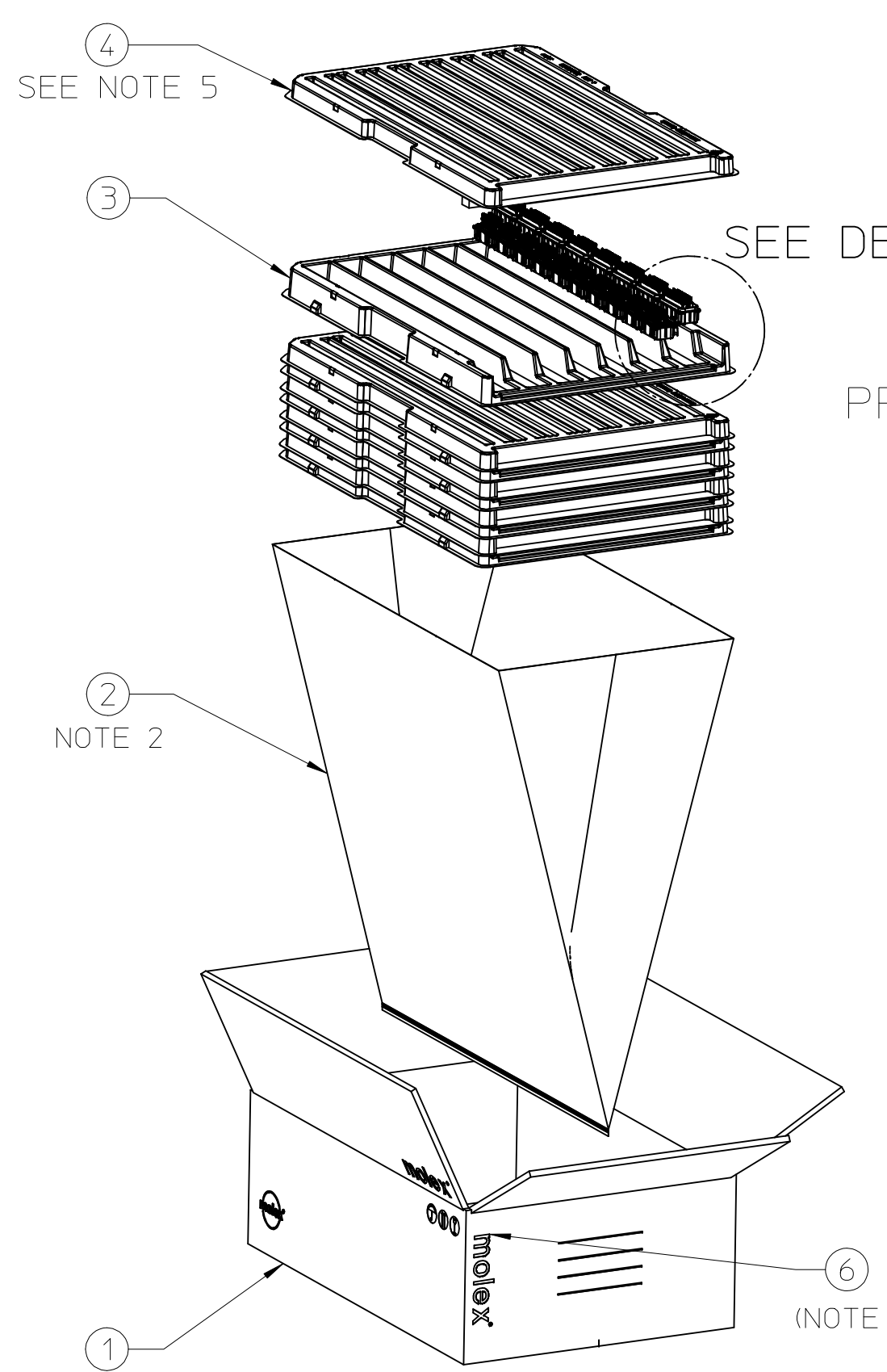


PACKAGING BILL OF MATERIAL				
ITEM NO.	MATERIAL NO.	DESCRIPTION	QTY/ CARTON	QTY/ PALLET (MAX)
①	0983010020	CARTON - USA	1	16
	0477991066	CARTON - CHINA		
②	0313006200	LINER BAG, A.S.	1	16
③	0313019170	TRAY	5	80
④	SEE PACK DATA	TRAY COVER	5	80
⑤	0708920063	FOAM BLOCK	35	560
⑥	N/A	LABEL	1	16
⑦	0313014310	PALLET	N/A	1

PACKAGING DATA												
PRODUCT NUMBER	PROGRAM NAME	CKT SIZE	# PARTS/ TRAY	# PARTS/ CARTON	FOAM REQ'D	COVER MATL NO.	COVER COLOR	# PARTS/ PALLET	PART WGT (Gr)	WGT/ CARTON		
34904000*	E80-SHORT PIN, USA	73	56	280	NO	0313019180	BLACK	4480	24.57	10.43Kg(23.0LB)		
34904010*	E80-LONG PIN, USA	73	56	280	NO	0313019180	BLACK	4480	24.57	10.43Kg(23.0LB)		
34904500*	E80-SHORT PIN,CHINA	73	56	280	NO	0313019180	BLACK	4480	24.57	10.43Kg(23.0LB)		
34904510*	E80-LONG PIN,CHINA	73	56	280	NO	0313019180	BLACK	4480	24.57	10.43Kg(23.0LB)		
31387****	GEN MARKET	66/73/80	56	280	NO	0313019340	NATURAL	4480	*24.57	*10.43Kg(23.0LB)		
31386****	GEN MARKET	49/56	70	350	YES	0313019340	NATURAL	5600	*17.43	*9.89Kg(21.8LB)		
2019340001	T01	66	56	280	NO	0313019340	NATURAL	4480	23.00	9.97Kg(22.0LB)		

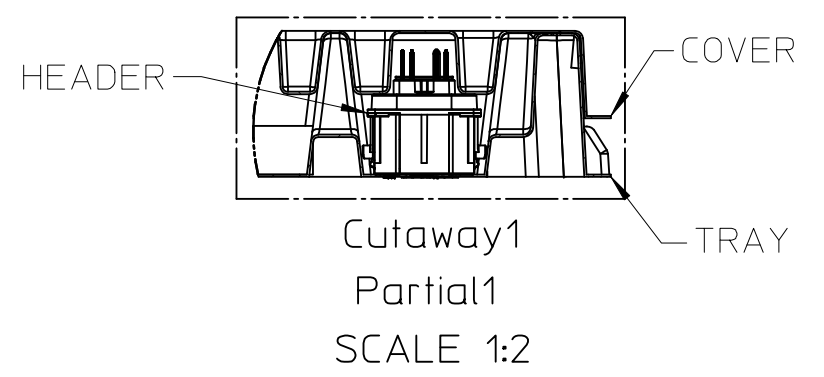
(SEE PACK DATA CHART)

* WEIGHT:
 1) BASED ON 73CKT HEADER
 2) BASED ON 56CKT HEADER



- NOTES:
- FORM CARTON, FOLDING BOTTOM FLAPS AND SECURE WITH TAPE
 - PLACE LINER BAG INTO CARTON
 - LOAD HEADERS INTO TRAY PER QUANTITY SPECIFIED IN PACKAGING DATA CHART & DETAIL 1
 - WHEN LOADING 49/56 CKT HEADERS ONLY. PLACE FOAM BLOCK AT END OF EACH TRAY CHANNEL AS SHOWN IN "Partial2" DETAIL
 - PLACE TRAY COVER OVER FILLED TRAY (SEE PACKAGING DATA CHART FOR COVER MATL NUMBER)
 - LOAD TRAY WITH COVER INTO CARTON
 - REPEAT STEPS 3-6 FOR A TOTAL OF 5 LAYERS/CARTON
 - FOLD CARTON TOP FLAPS AND SECURE WITH TAPE
 - APPLY LABEL(S) TO CARTON IN THE UPPER LEFT HAND CORNER, AS REQUIRED
 - PLACE CARTONS ONTO PALLET AS SHOWN
 - UNITIZE CARTONS ON PALLET PER PK-31301-625
 - REFERENCE 3D MODEL EM-31301-916, REV 2

COVER ASSEMBLED TO TRAY



ADD 2019340001 EC NO: UAU2017-0669 DRWN: L JERIC 2017/02/06 CHKD: APPR: CSHELDON 2017/02/08	QUALITY SYMBOLS	GENERAL TOLERANCES (UNLESS SPECIFIED)	DIMENSION STYLE MM ONLY	SCALE 1:8	DESIGN UNITS METRIC	THIRD ANGLE PROJECTION
	▽=0	4 PLACES ± --- ± ---	DRAWN BY JNORTHRO DATE 2012/05/17	TITLE	PACKAGING SPECIFICATION STAND ALONE HEADERS E80, T01 & GEN MARKET	
	▽=0	3 PLACES ± --- ± ---	CHECKED BY DATE	APPROVED BY JNORTHRO DATE 2012/11/01	molex	
	▽=0	2 PLACES ± --- ± ---	APPROVED BY DATE	MATERIAL NO.	DOCUMENT NO. PK-31301-916	SHEET NO. 1 OF 1
8	REV	ANGULAR ± 1 °	SEE TABLE	THIS DRAWING CONTAINS INFORMATION THAT IS PROPRIETARY TO MOLEX INCORPORATED AND SHOULD NOT BE USED WITHOUT WRITTEN PERMISSION		