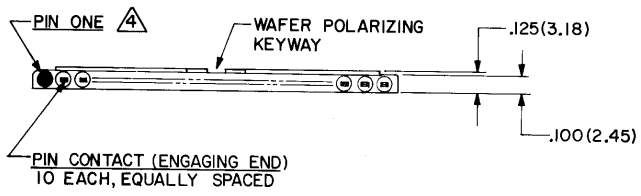
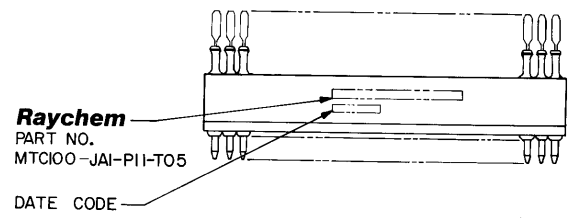
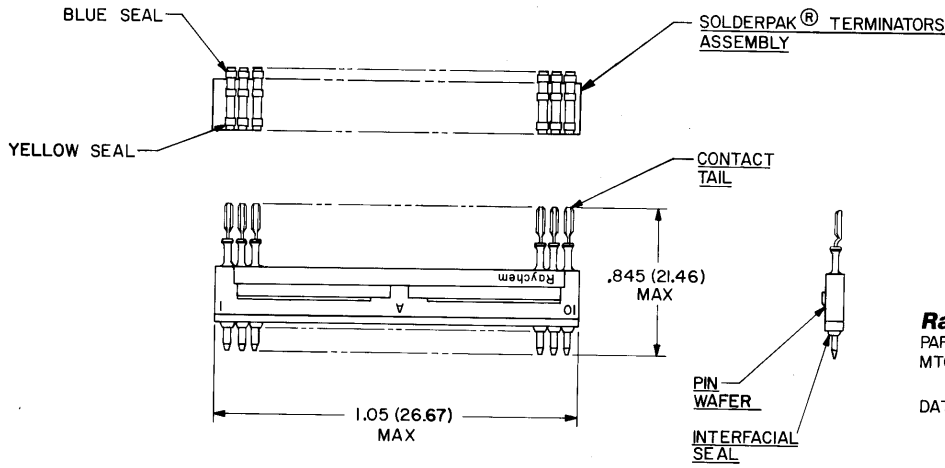


REVISIONS				
ZONE	LTR	DESCRIPTION	DATE	APPROVED
—	A	CHG'D PER DCO* T-02583	W.J.	



△ WEIGHT (MAX.): LBS. | GRAMS  
.0047 | 2.12

④ PIN ONE: PIN NUMBER ONE MARKED IN CONTRASTING COLOR ON INTERFACIAL SEAL.

3. WAFER: WAFER MEETS THE REQUIREMENTS OF RAYCHEM SPECIFICATION D-6012.

2. FINISH: 2-A PIN WAFER; FINISH TO BE AS MOLDED.  
2-B PIN CONTACT; GOLD PLATE PER MIL-G-45204, CLASS I.  
(ENGAGING END)  
2-C CONTACT TAIL; COATED WITH SOLDER PER QQ-S-571.

1. MATERIAL: 1-A PIN WAFER; HIGH GRADE POLYARYLENE THERMO-PLASTIC.  
1-B PIN CONTACT; COPPER ALLOY PER QQ-B-613 OR QQ-C-502.  
1-C INTERFACIAL SEAL; SILICONE ELASTOMER PER MIL-R-25988.  
1-D SOLDERPAK® TERMINATORS ASSY; REFER TO RAYCHEM DWG. CTA-0035 FOR DATA.

NOTES

If this document is printed it becomes uncontrolled.  
Check with the web for latest revision.

DO NOT SCALE THIS DRAWING

© Raychem Corporation 1981

SPECIFICATION CONTROL DRAWING

UNLESS OTHERWISE SPECIFIED DIMENSIONS ARE IN INCHES BRACKETED DIMENSIONS ( ) ARE METRIC AND TOLERANCES ARE: .XXX: ±.005 (0.13 M.M.) .XX: ±.02 (0.51 M.M.) △: ±	DRAWN	W.V.J.	1-15-81	<p>RAYCHEM CORPORATION 300 CONSTITUTION DRIVE MENLO PARK, CALIFORNIA 94025</p>
	CHECKED			
	APPROVED		1-15-81	
	APPROVED		2-6-80	
				<p>TITLE KIT, 1" PIN WAFER "A" WITH SOLDERPAK® TERMINATORS, FOR ROUND WIRE (20-26 AWG), 125°C TEMPERATURE RATING MTC 100 SERIES</p>
	SIZE	CODE IDENT	DWG. NO.	
	C	NO. 06090	MTC100-JAI-PII-T05	
		WEIGHT	SHEET	OF