

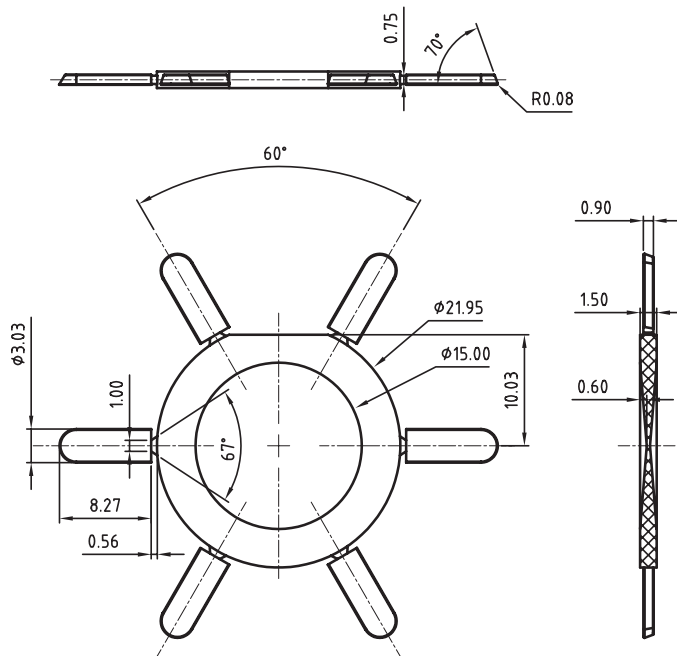
1

2

3

4

5



#### TECHNICAL CHARACTERISTICS

MATERIAL  
 INSULATOR: PA 66  
 FLAMABILITY RATING: UL94-V0  
 COLOR: RED

ENVIRONMENTAL  
 OPERATING TEMPERATURE: -40 UP TO 105°C  
 COMPLIANCE: LEAD FREE AND ROHS

MECHANICAL  
 APPLICABLE PITCH: 5.00 - 5.08 & 7.62MM

PACKAGING: BOX

#### INSTRUCTION FOR USE

By using a coding key you avoid any risk of mis-plugging

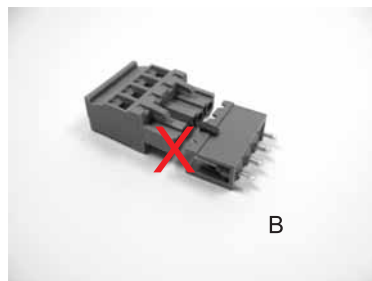
For this you must add/break one part of the:  
 - 691 399 900 002 in the PCB connector  
 - 691 399 900 001 in the plug

If keys are on different pin n° (on the plug and PCB connector)  
 mating remains possible (see photo A)  
 If keys are on the same pin ° (on the plug and PCB connector)  
 mating becomes not possible anymore (see photo B)

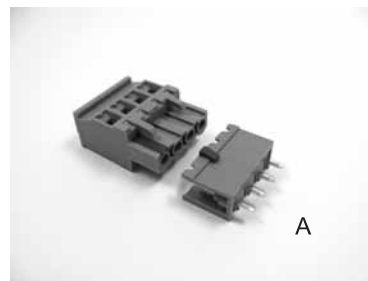
PLUG



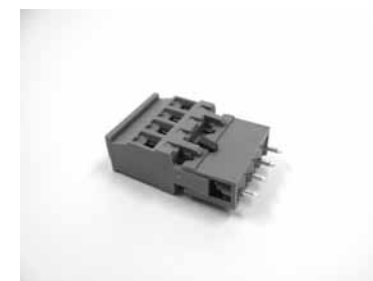
PCB



B



A



A

B

C

RoHS Compliant

G				PROJECTION: 	GENERAL TOLERANCE .X = +/- 0.2 .XX = +/- 0.15		
F							
E							
D							
C				APPROVAL: RJ	UNIT: MM	DESCRIPTION: CODING KEY FOR 5.00 - 5.08 & 7.62MM PITCH SERIES WR-TBL	SIZE A4
B					SCALE:		
A	05-NOV-08	PDF	JP		SHEET: 1/1	WERI PART NO: 691 399 900 001	
REV	DATE	FILE	BY		DRAW: MARVIN		