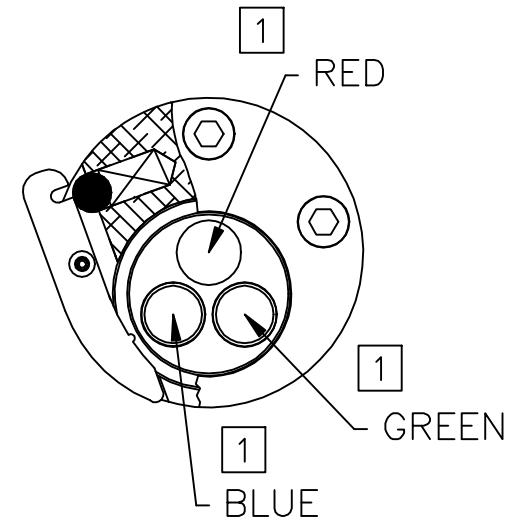
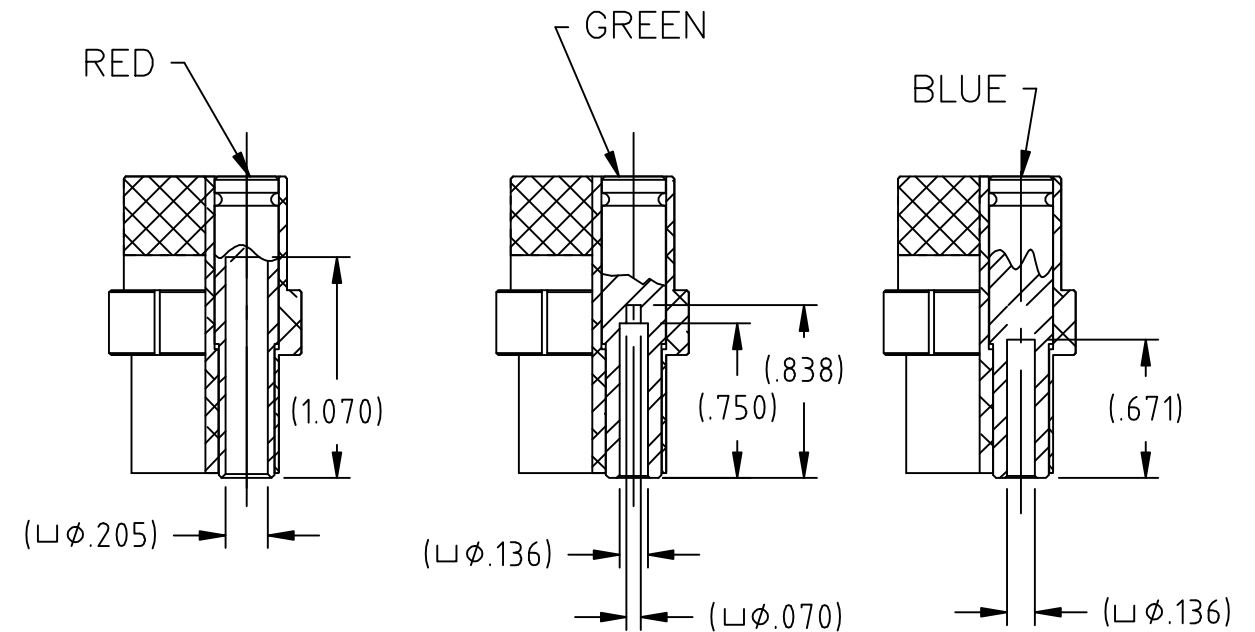
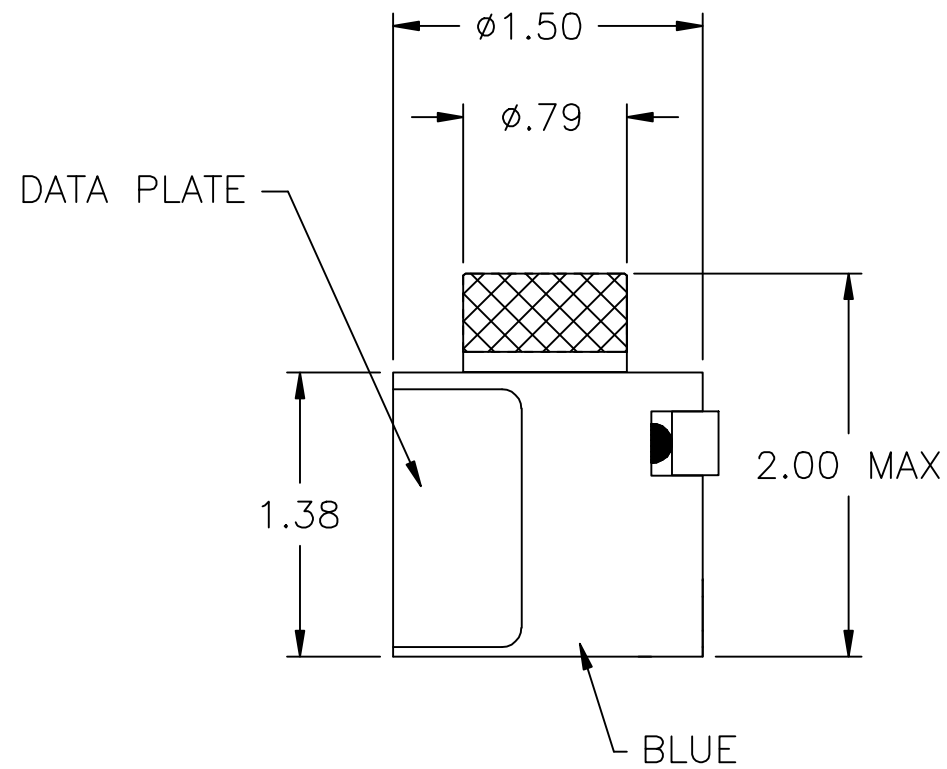


**UNCONTROLLED DOCUMENT  
WILL NOT BE UPDATED**



1  
RANDOM ORDER OF ROTATION IS  
ACCEPTABLE



**TYPICAL CONSTRUCTION**

HOLE DEPTHS ARE MEASURED FROM  
TOP OF POSITIONER INSERTS.

CONTACT SIZE	CONTACTS	COLOR CODE	18	16	14	12	WIRE SIZE
12/P	030-8588-XXX	RED			7	8	SELECTOR NUMBER
16/S	031-8639-120						
12/S	031-8557-XXX						
16/S	031-8556-XXX						
16S/P	030-8586-XXX	BLUE	5	6			
16S/P	330-8744-000						
16/P	030-8587-XXX	GREEN	5	6			
16S/S	031-8555-XXX						
16S/S	031-8688-110						
16/P	330-8659-000						

DATA PLATE

THESE DRAWINGS, SPECIFICATIONS OR OTHER DATA ARE AND REMAIN, THE PROPERTY OF ASTRO TOOL CORP. AND MUST BE RETURNED UPON REQUEST. THEY CONTAIN INFORMATION OWNED AND/OR DEVELOPED BY ASTRO AT ITS OWN PRIVATE EXPENSE AND MAY NOT BE USED, DUPLICATED OR DISCLOSED TO OTHERS, IN WHOLE OR IN PART FOR DESIGN, MANUFACTURE OR PROCUREMENT WITHOUT THE WRITTEN PERMISSION OF ASTRO TOOL CORP. EACH AND EVERY TIME.

SCALE:  
N.T.S.  
DWN BY:  
DYO  
DATE:  
10-07-15  
APPROVED:

UNLESS OTHERWISE SPECIFIED:  
DECIMALS:  
.XXX ± .005  
.XX ± .010  
.X ± .030  
ANGLES:  
± 1°

**ASTRO TOOL CORP.**  
21615 S.W. TUALATIN VALLEY HWY., BEAVERTON OR 97006  
CAGE 58164  
DESCRIPTION: ENVELOPE DRAWING: 650068  
TURRET ASSEMBLY  
PART NO. B 650068-ENV

REV.	DESCRIPTION	BY	DATE	APR.
	A NEW RELEASE.	DYO	10-07-15	MMK

NOTES: 1. THIS IS AN AUTOCAD DRAWING DO NOT CHANGE MANUALLY.