

8 7 6 5 4 3 2 1

E

D

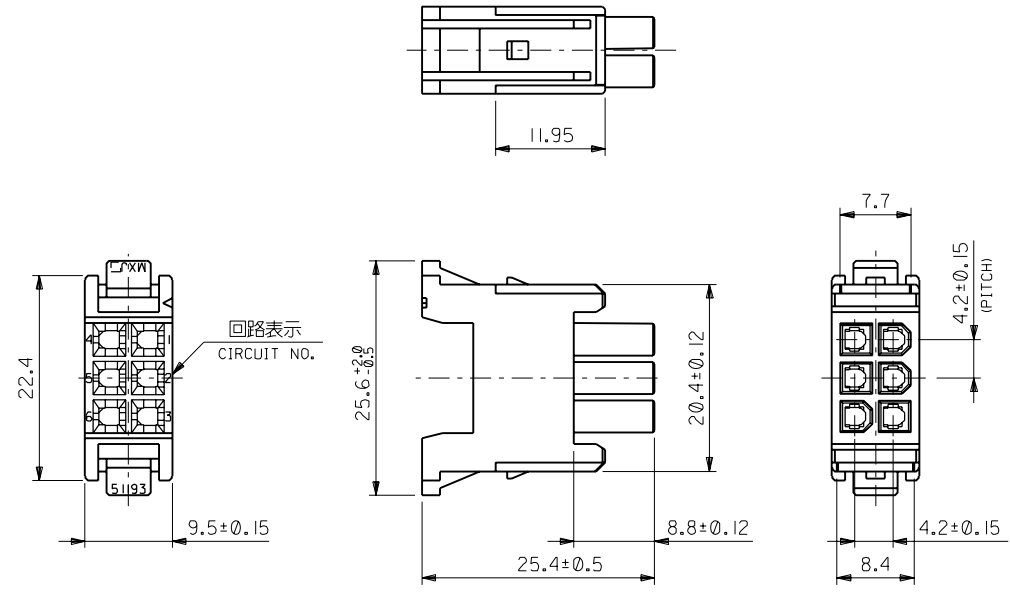
V

C

B

8 7 6 5 4 3 2 1

8 7 6 5 4 3 2 1



注記:
NOTES:
1. 適用ターミナル: 5556****.
APPLICATION TERMINAL
2. 指定外公差: ±0.2.
UNSPECIFIED DIMENSION TOLERANCE

EC NO. DRWN: CHK: APPR:		EC NO. DRWN: CHK: APPR:		EC NO. DRWN: CHK: APPR:		REVISED EC NO. JD910675 '98/11/06 DRWN: Y. TETSUKA CHK: SAKIYAMA/YOJITO APPR: H. IKESUGI		RELEASED EC NO. JD81452 '98/04/22 DRWN: M. HOSONO CHK: Y. ITO APPR: H. IKESUGI		MATERIAL 材料 ガラスナイロン66 UL94V-0 色: 自然色		GENERAL TOLERANCES: (UNLESS SPECIFIED) 一般公差		SCALE 2-1		DESIGN UNITS <input checked="" type="checkbox"/> mm <input type="checkbox"/> INCH		THIRD ANGLE PROJECTION		DIMENSIONS: <input type="checkbox"/> mm <input type="checkbox"/> INCH <input checked="" type="checkbox"/> mm ONLY		SHT REV	
INS. RANGE 被覆外径		WIRE RANGE 適用電線形種		FINISH 仕上り		10 UNDER 未満		10 OVER 以上		30 UNDER 未満		30 OVER 以上		DRAWN BY & DATE M. HOSONO '98/04/22		CHECKED BY & DATE Y. ITO '98/04/22		APPROVED BY & DATE M. Hosono '98/04/22		TITLE: POWER CONN SOCKET HOUSING (6P)		MATERIAL NO. MODEL NO.	
A		Ø		#		±0.2		±0.25		±0.3		±3°		DRAWN BY & DATE M. HOSONO '98/04/22		CHECKED BY & DATE Y. ITO '98/04/22		APPROVED BY & DATE M. Hosono '98/04/22		MATERIAL NO. DRAWING NO.		SHEET NO.	
														51193002.S01		SEE CHART		SD-51193-002		1 OF 1		B	
THIS DRAWING CONTAINS INFORMATION THAT IS PROPRIETARY TO MOLEX INCORPORATED AND SHOULD NOT BE USED WITHOUT WRITTEN PERMISSION.																							