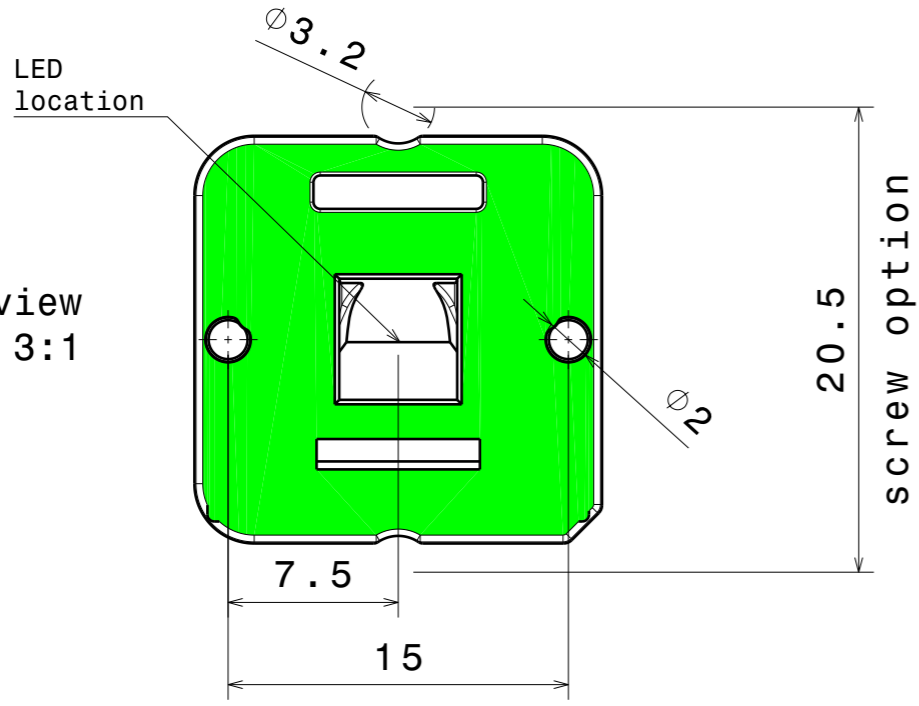
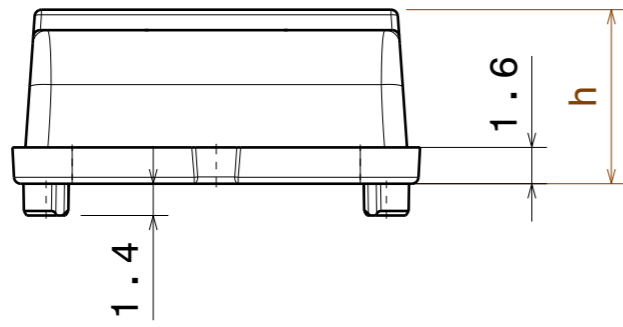


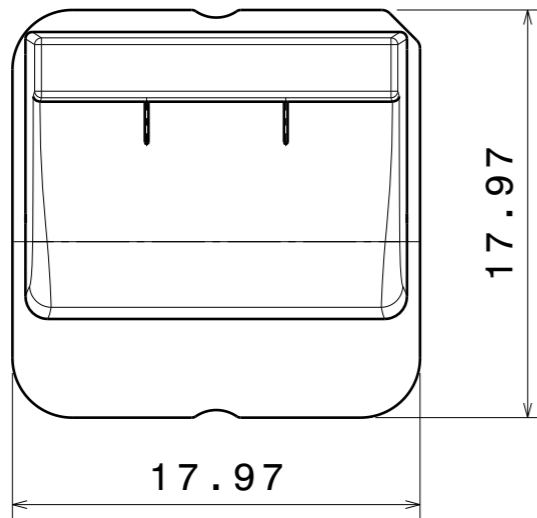
Bottom view
Scale: 3:1



Front view
Scale: 3:1



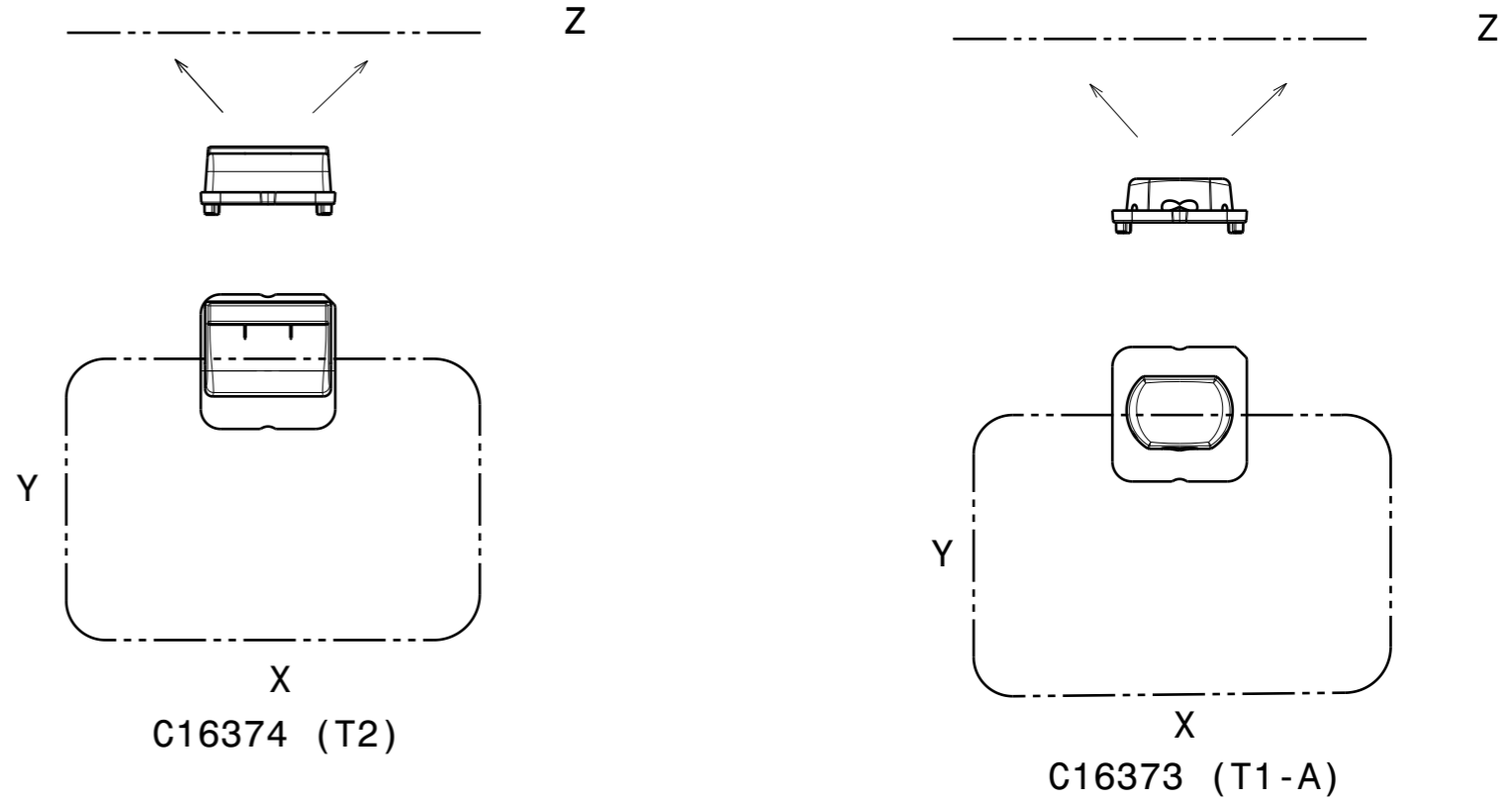
Top view
Scale: 3:1



Notes

- PCB or heat sink level
 - Led location
- Ensure LED fitting from a product specific 3D model available from www.ledil.com

Light Pattern Direction



COMPONENTS

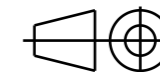
INDEX	PRODUCT	TYPE	MATERIAL	h (mm)	COLOUR/COATING
1	C16373_SITARA-T1-A	LENS	PC	5.83	CLEAR
2	C16374_SITARA-T2	LENS	PC	7.66	CLEAR

MECHANICAL DRAWING

PRODUCT
SITARA-family (single lens)

Tolerances if not otherwise shown
According to DIN ISO 2768-1
Linear measures:
Up to 30mm class M, otherwise class C.
According to DIN ISO 2768-2
Form and position: class L

FIRST ANGLE PROJECTION:



LEDiL®

This drawing is the property of LEDiL Oy. It may not be reproduced, copied or communicated without a written agreement with LEDiL Oy.

SCALE 3:1 SIZE A3 SHEET 1/2