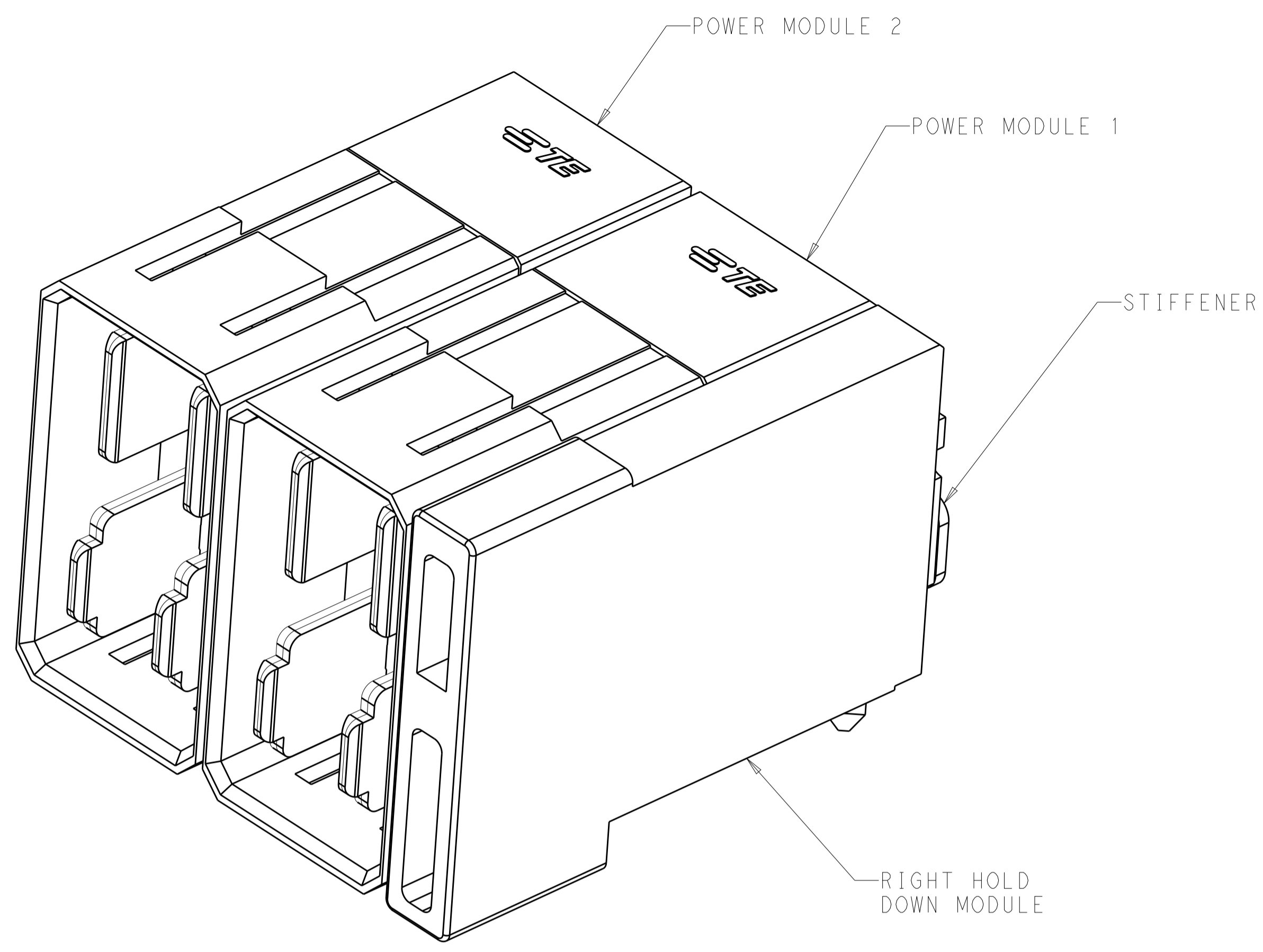


LOC		DIST		REVISIONS			
GP	00	P	LTN	DESCRIPTION	DATE	DWN	APVD
		A		INITIAL RELEASE	25MAY2012	LW	AC
		A1		REV PER ECR-12-010636	19JUN2012	LW	AC



HEADER WITH RIGHT HOLD DOWN MODULE

- NOTES:
- 1 MATERIALS:  
 HOUSING: HIGH TEMP. THERMOPLASTIC GLASS/MINERAL FILLED UL94V-0  
 TERMINAL: COPPER ALLOY
  - 2 FINISH:  
 TIN OPTION-0.76um MIN GOLD AT CONTACT AREA AND  
 1.27um MIN NICKEL UNDERPLATED OVER ALL  
 2.54um TIN AT SOLDER TAIL AREA  
 TIN-LEAD OPTION-0.76um MIN GOLD AT CONTACT AREA AND  
 1.27um MIN NICKEL UNDERPLATED OVER ALL  
 2.54um TIN-LEAD AT SOLDER TAIL AREA
  - 3 REFER TO TE'S PRODUCT SPECIFICATION:108-2473 FOR PLATED THROUGH-HOLE SPECIFICATION AND TORQUE FORCE
  - 4 CONNECTOR WERE PACKED BY TRAY  
 REFER TO TE'S PACKAGING SPECIFICATION:107-97874
  - 5 MATED WITH 2169809-\*
  - 6 LASER MARK PART NUMBER AND DATE CODE (YYWWDS) CAN BE AT THE OPPOSITE SIDE
  - 7 ADD 11.40MM FOR EACH ADDITIONAL MODULE
  - 8 REFER TO DOCUMENT NUMBER:2169802 FOR INDIVIDUAL MODULE COMPONENT INFORMATION
  - 9 FIRST POWER MODULE(1#) STARTS FROM THE RIGHT
  - 10 DIMENSION P1&P2 FOR POWER MODULE 1, P3&P4 FOR POWER MODULE 2
  - 11 COMPONENT STAY AWAY ZONE FROM CONNECTOR
  - 12 ALL PARTS ARE SHIPPED WITH A 2-32 AB TYPE SELF-TAPPING SCREW P/N:2057509-2

OBSOLETE	TIN + LEAD	DIMENSIONS				DIM A	NUMBER OF POWER MODULE	PART NUMBER
		P4	P3	P2	P1			
		6.90	5.70	6.90	5.70	26.40	2X	7-2180490-0
		6.90	5.70	5.70	6.90	26.40	2X	6-2180490-9
		6.90	5.70	5.70	5.70	26.40	2X	6-2180490-8
		6.90	5.70	6.90	6.90	26.40	2X	6-2180490-7
		5.70	6.90	6.90	5.70	26.40	2X	6-2180490-6
		5.70	6.90	5.70	6.90	26.40	2X	6-2180490-5
		5.70	6.90	5.70	5.70	26.40	2X	6-2180490-4
		5.70	6.90	6.90	6.90	26.40	2X	6-2180490-3
		5.70	5.70	6.90	5.70	26.40	2X	6-2180490-2
		5.70	5.70	5.70	6.90	26.40	2X	6-2180490-1
		5.70	5.70	5.70	5.70	26.40	2X	6-2180490-0
		5.70	5.70	6.90	6.90	26.40	2X	5-2180490-9
		6.90	6.90	6.90	5.70	26.40	2X	5-2180490-8
		6.90	6.90	5.70	6.90	26.40	2X	5-2180490-7
		6.90	6.90	5.70	5.70	26.40	2X	5-2180490-6
		6.90	6.90	6.90	6.90	26.40	2X	5-2180490-5
		N/A	N/A	6.90	5.70	15.00	1X	5-2180490-4
		N/A	N/A	5.70	6.90	15.00	1X	5-2180490-3
		N/A	N/A	5.70	5.70	15.00	1X	5-2180490-2
		N/A	N/A	6.90	6.90	15.00	1X	5-2180490-1
	TRAY	6.90	5.70	6.90	5.70	26.40	2X	2-2180490-0
		6.90	5.70	5.70	6.90	26.40	2X	1-2180490-9
		6.90	5.70	5.70	5.70	26.40	2X	1-2180490-8
		6.90	5.70	6.90	6.90	26.40	2X	1-2180490-7
		5.70	6.90	6.90	5.70	26.40	2X	1-2180490-6
		5.70	6.90	5.70	6.90	26.40	2X	1-2180490-5
		5.70	6.90	5.70	5.70	26.40	2X	1-2180490-4
		5.70	6.90	6.90	6.90	26.40	2X	1-2180490-3
		5.70	5.70	6.90	5.70	26.40	2X	1-2180490-2
		5.70	5.70	5.70	6.90	26.40	2X	1-2180490-1
		5.70	5.70	6.90	6.90	26.40	2X	2180490-9
		6.90	6.90	6.90	5.70	26.40	2X	2180490-8
		6.90	6.90	5.70	6.90	26.40	2X	2180490-7
		6.90	6.90	5.70	5.70	26.40	2X	2180490-6
		6.90	6.90	6.90	6.90	26.40	2X	2180490-5
		N/A	N/A	6.90	5.70	15.00	1X	2180490-4
		N/A	N/A	5.70	6.90	15.00	1X	2180490-3
		N/A	N/A	5.70	5.70	15.00	1X	2180490-2
		N/A	N/A	6.90	6.90	15.00	1X	2180490-1
PACKAGING	PLATING TYP	P4	P3	P2	P1	DIM A	NUMBER OF POWER MODULE	PART NUMBER

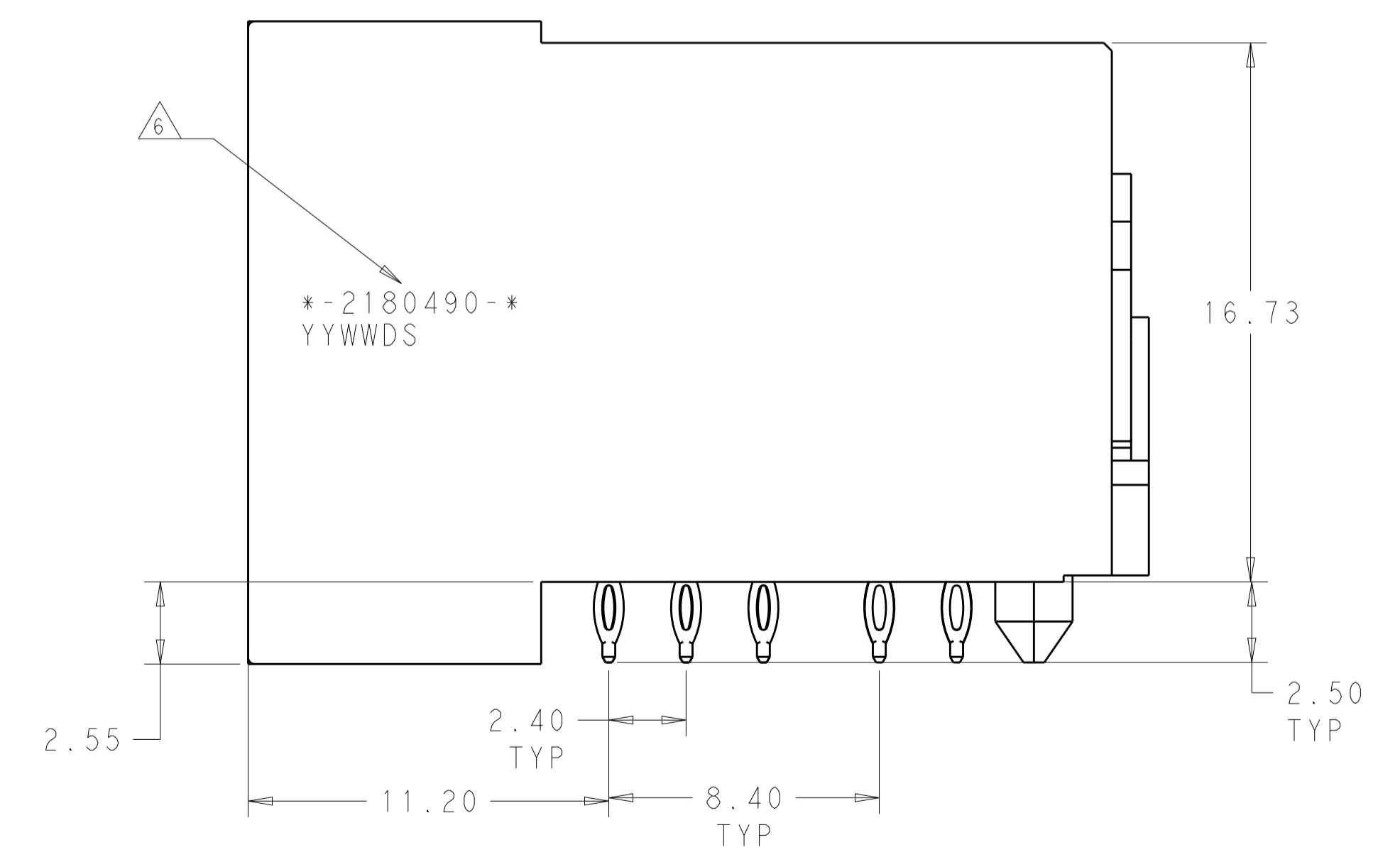
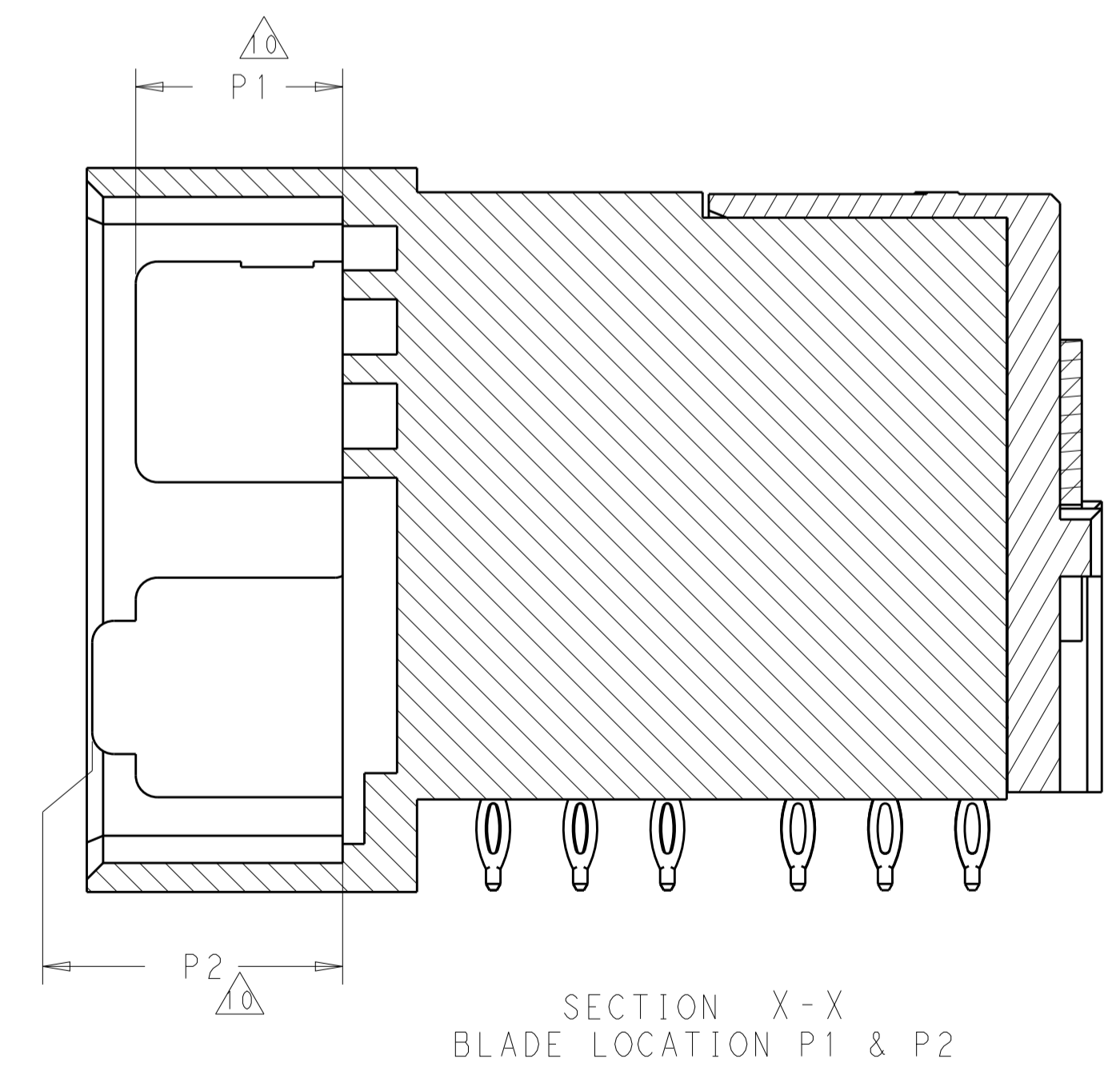
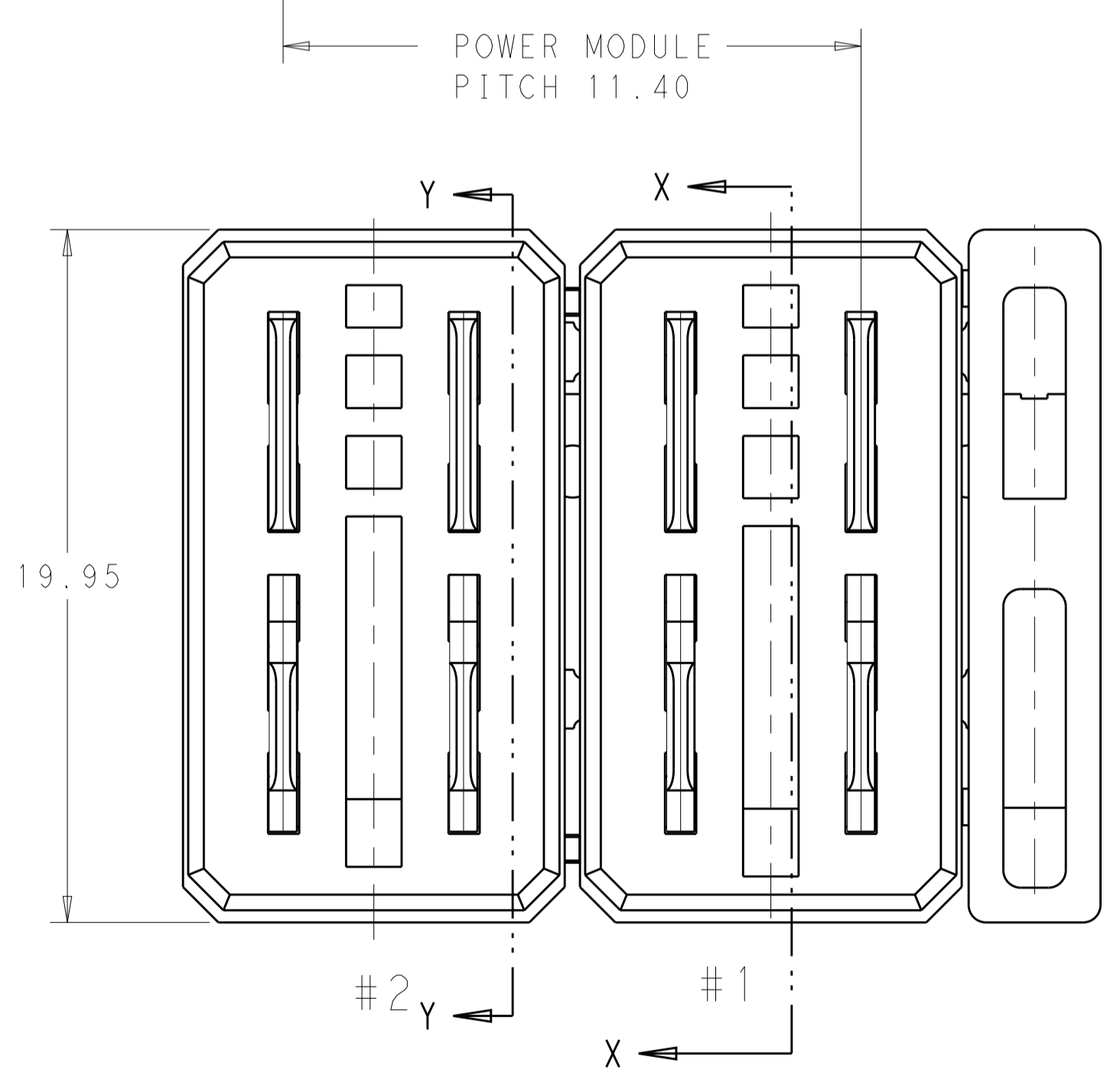
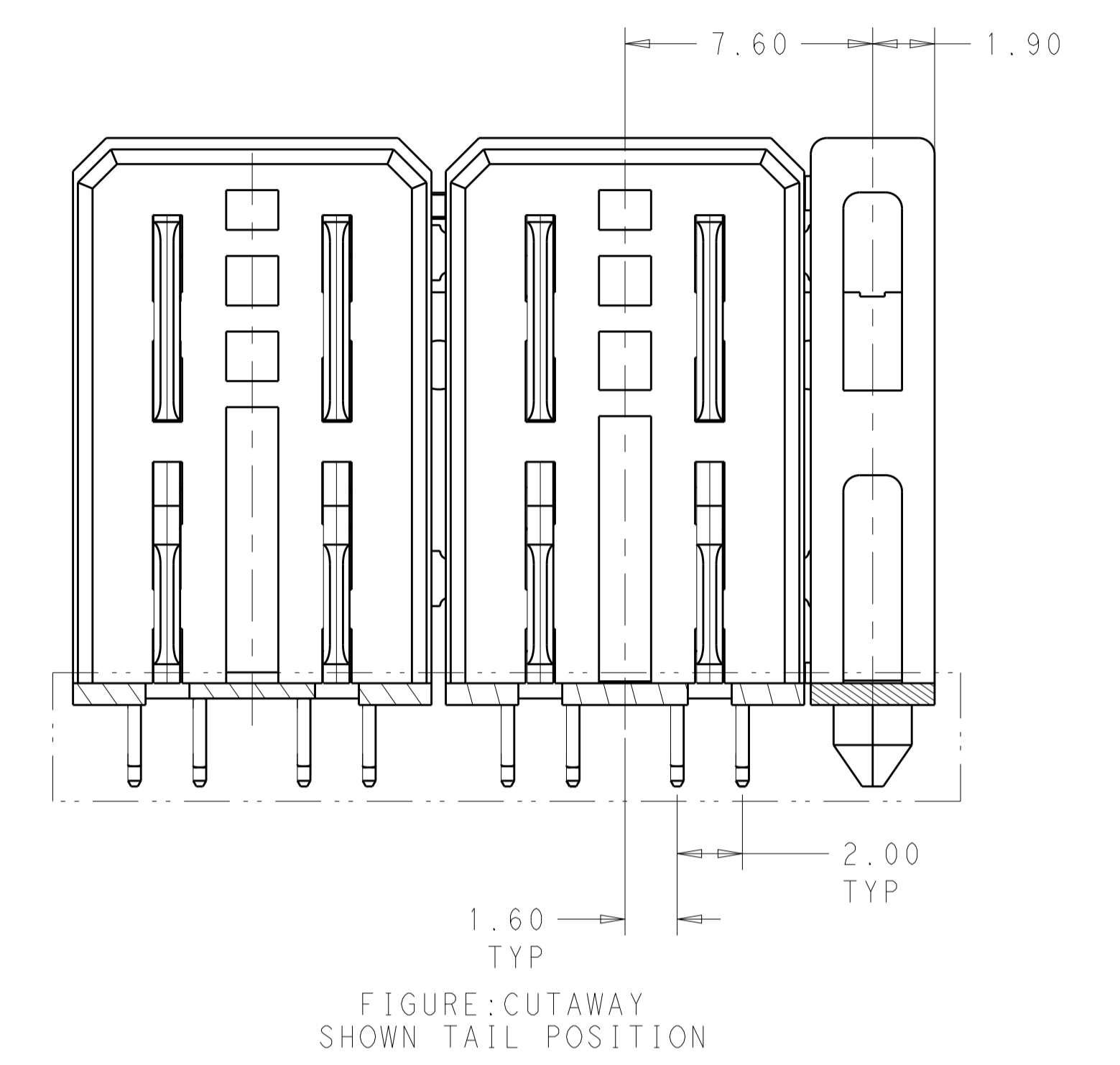
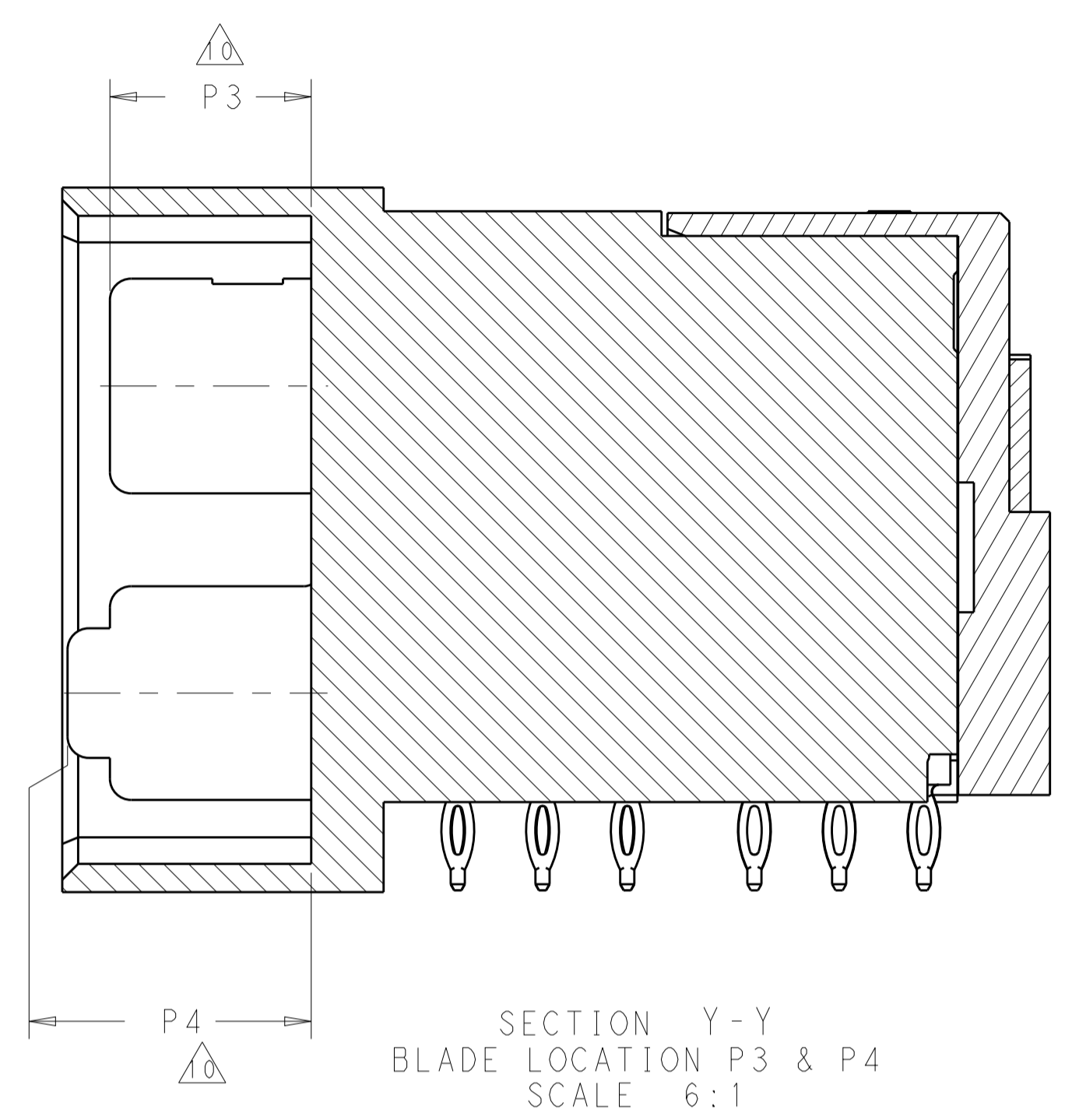
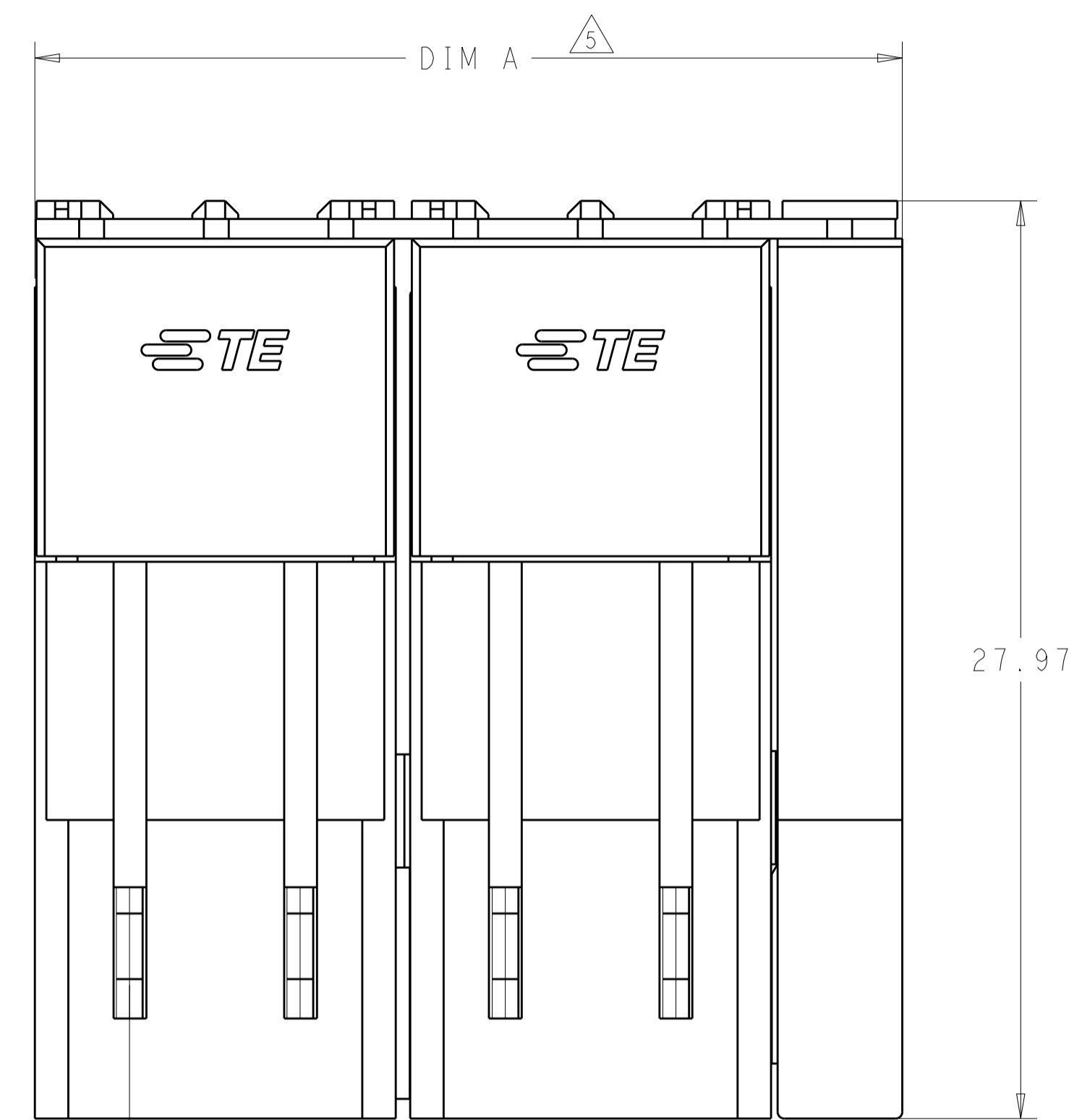
THIS DRAWING IS A CONTROLLED DOCUMENT. DWN: LERRY WANG 08FEB2012  
 CHK: SUNY ZHAO 08FEB2012  
 APVD: SUNY ZHAO 08FEB2012

TE Connectivity

IMPACT POWER 4PAIR HEADER WITH RIGHT HOLD DOWN PRESS FIT

SIZE: 114-32028 CAGE CODE: 100779 DRAWING NO: 2180490  
 WEIGHT: -  
 CUSTOMER DRAWING SCALE: 6:1 SHEET 1 OF 3 REV: A1

LOC	DIST	REVISIONS					
GP	00	P	LTN	DESCRIPTION	DATE	DWN	APVD
-	-	-	-	SEE SHEET 1	-	-	-

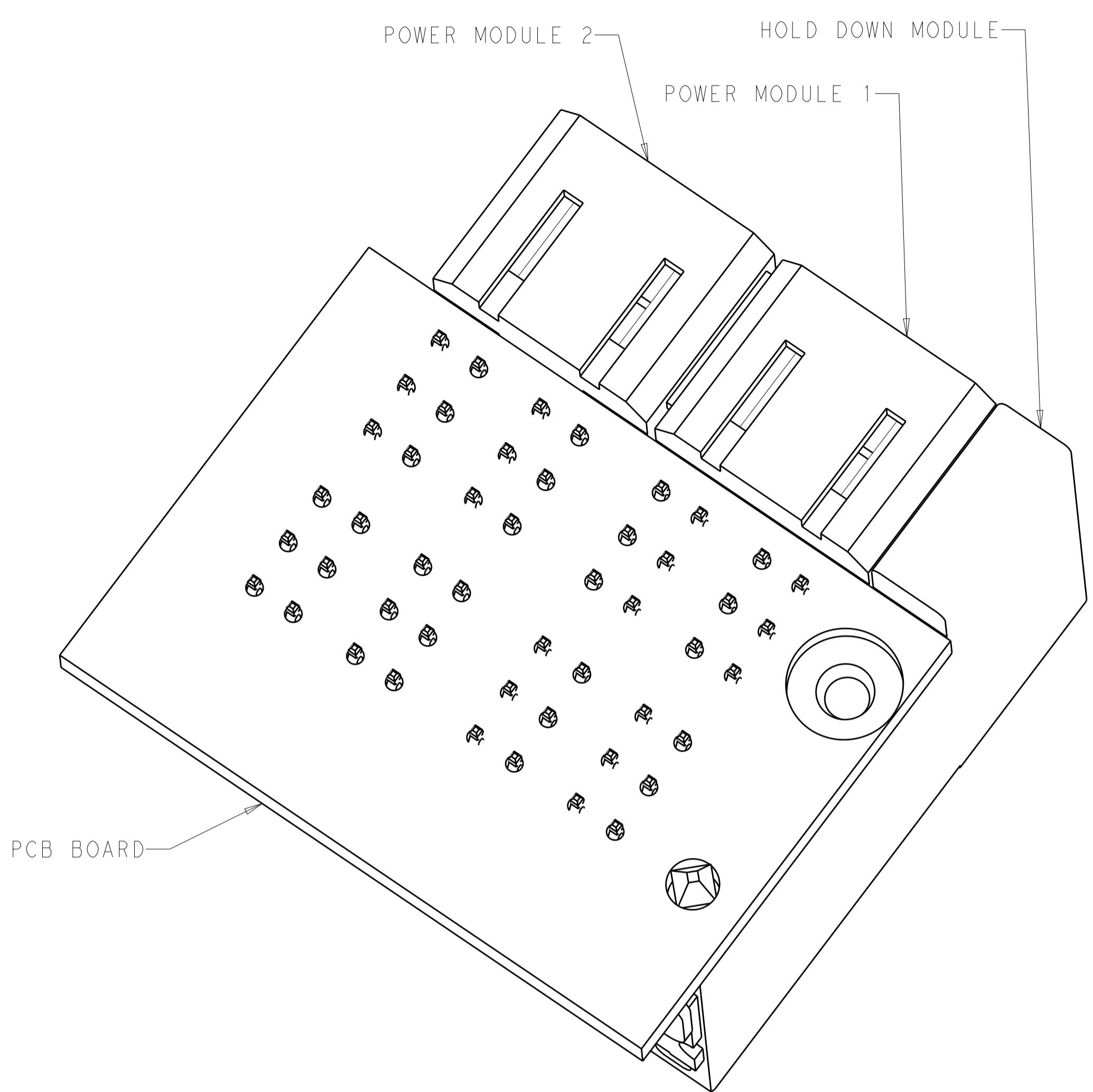


THIS DRAWING IS A CONTROLLED DOCUMENT.		OWN: LERRY WANG 08FEB2012	TE Connectivity
DIMENSIONS: mm		CHK: SUNY ZHAO 08FEB2012	
TOLERANCES UNLESS OTHERWISE SPECIFIED:		APVD: SUNY ZHAO 08FEB2012	NAME: IMPACT POWER 4PAIR HEADER WITH RIGHT HOLD DOWN PRESS FIT SIZE: A1 CAGE CODE: 114-32028 DRAWING NO: C=2180490
0 PLC ±-- 1 PLC ±0.25 2 PLC ±-- 3 PLC ±-- 4 PLC ±-- ANGLES ±-- FINISH ±--		PRODUCT SPEC: APPLICATION SPEC: WEIGHT: CUSTOMER DRAWING	
MATERIAL:		RESTRICTED TO:	SCALE: 6:1 SHEET 2 OF 3 REV: A1

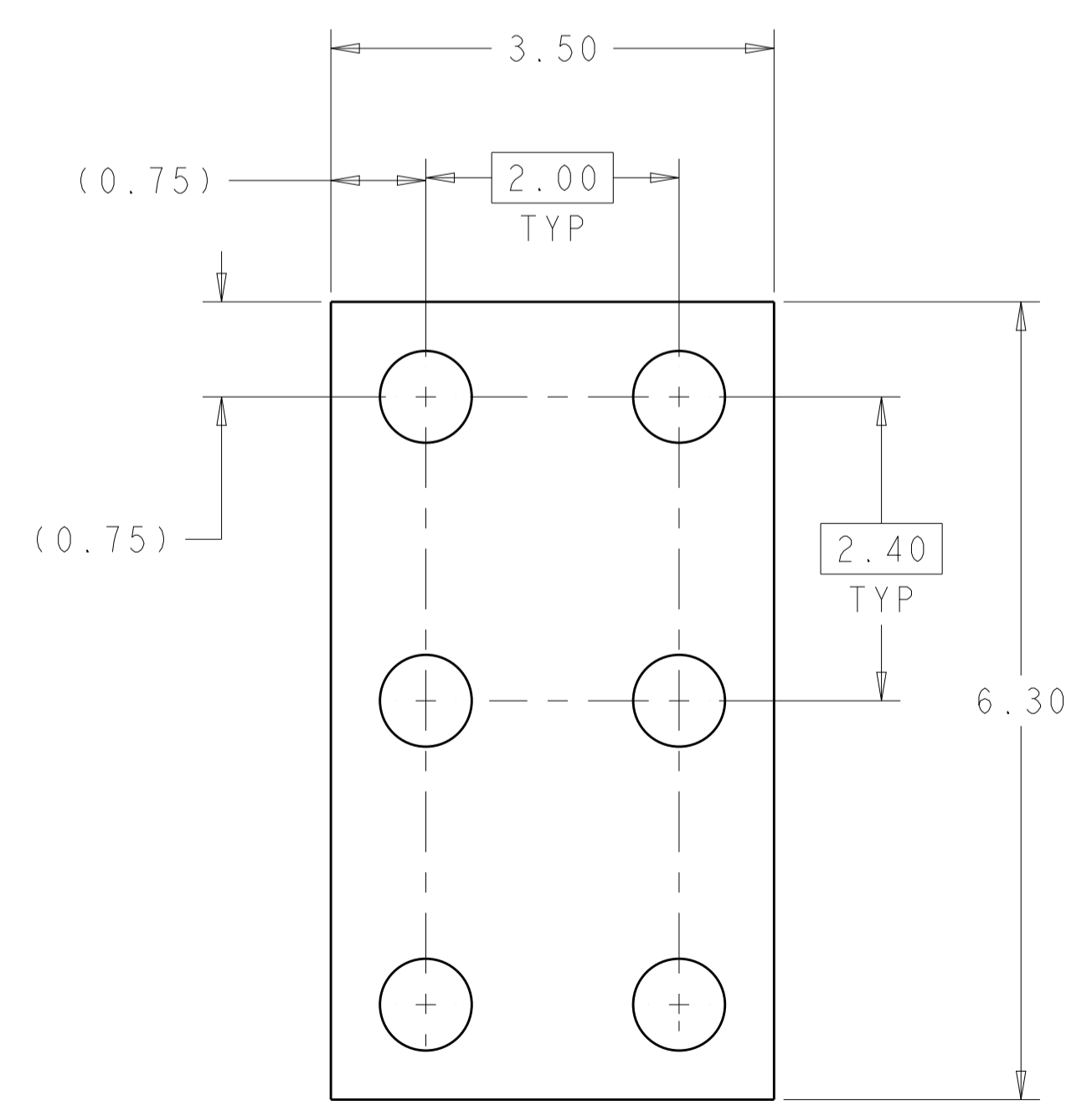
LOC	DIST	REV	DATE	BY	APPD
GP	00				

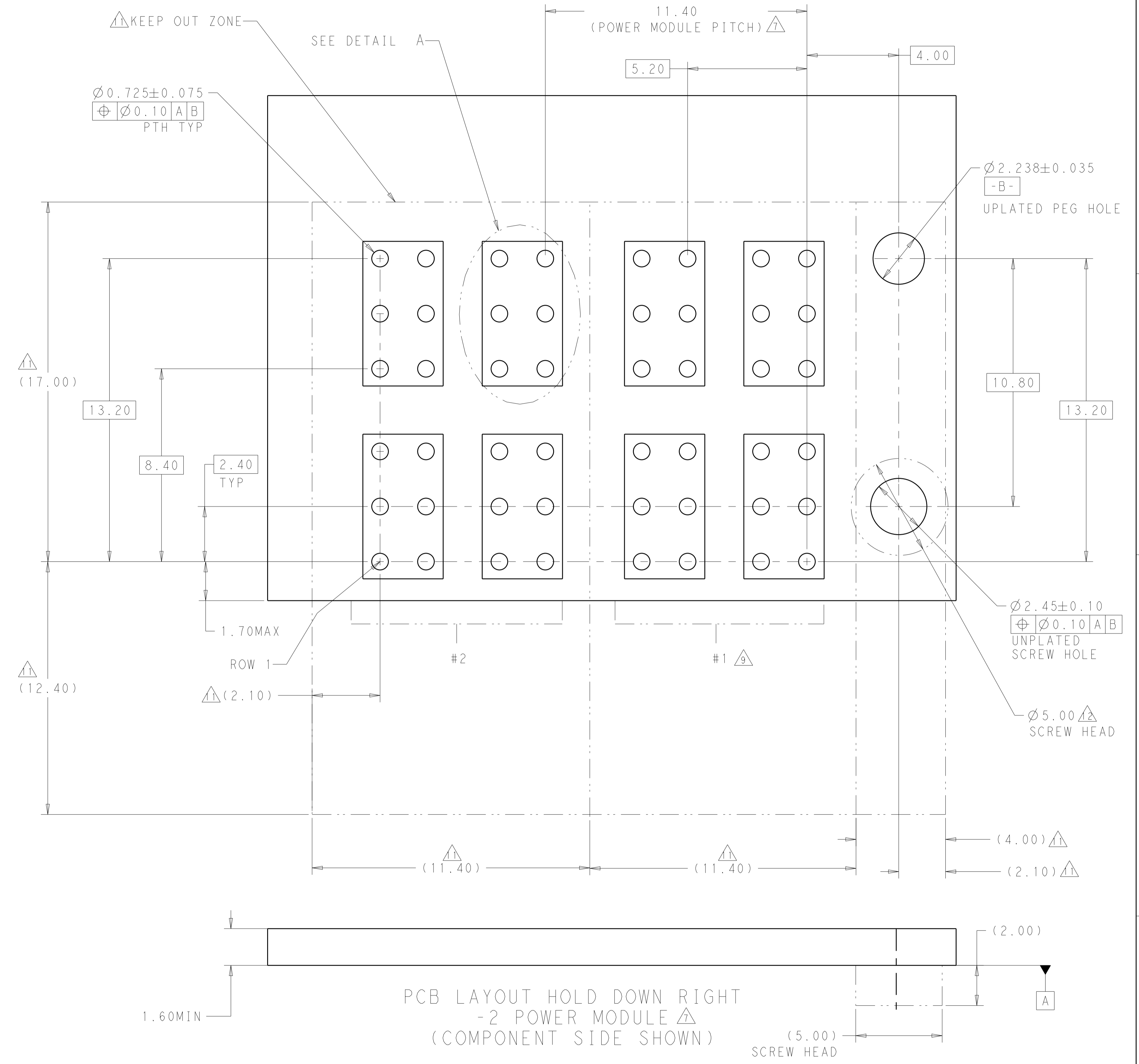
REVISIONS		DATE	BY	APPD
-	SEE SHEET 1	-	-	-



CONNECTOR WITH PCB BOARD



DETAIL A  
 SCALE 20:1  
 COPPER PAD REFERENCE



PCB LAYOUT HOLD DOWN RIGHT  
 - 2 POWER MODULE  
 (COMPONENT SIDE SHOWN)

THIS DRAWING IS A CONTROLLED DOCUMENT.		OWN LERRY WANG 08FEB2012	TE Connectivity
DIMENSIONS: mm		CHK SUNY ZHAO 08FEB2012	
TOLERANCES UNLESS OTHERWISE SPECIFIED:		APVD SUNY ZHAO 08FEB2012	
0 PLC ±0.10 1 PLC ±0.15 2 PLC ±0.25 3 PLC ±0.30 4 PLC ±0.40 ANGLES ±0.5°		NAME IMPACT POWER 4PAIR HEADER WITH RIGHT HOLD DOWN PRESS FIT	
MATERIAL: -		PRODUCT SPEC: -	SIZE: A1
FINISH: -		APPLICATION SPEC: 114-32028	CAGE CODE: 100779
-		WEIGHT: -	DRAWING NO: C=2180490
-		CUSTOMER DRAWING	SCALE: 6:1 SHEET 3 OF 3 REV: A1