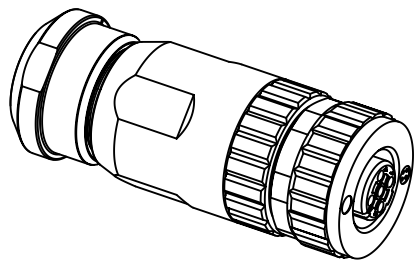



contact face acc. to
IEC 61076-2-101

conductor cross section	1.5mm ² max. AWG16
cable outside diameter	4 - 8mm



	All Dimensions in mm Original Size DIN A4		Scale 2:1	Free size tol.		Ref.	
	All rights reserved Department EC PD - DE		Created by EISFELD	Inspected by WELLMANN	Standardisation KOHLER	Date 2015-05-12	State Final Release
HARTING Electronics GmbH D-32339 Espelkamp		Title HARTING M12 screw str 4-pole D-coded female shielded				Doc-Key / ECM-Nr. 100621586/UGD/001/A 500000089167	
		Type TB	Number 21033892402			Rev. A	Page 1/1