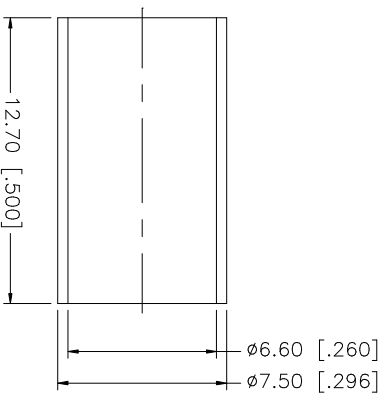
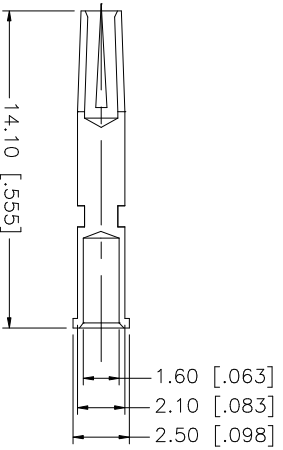
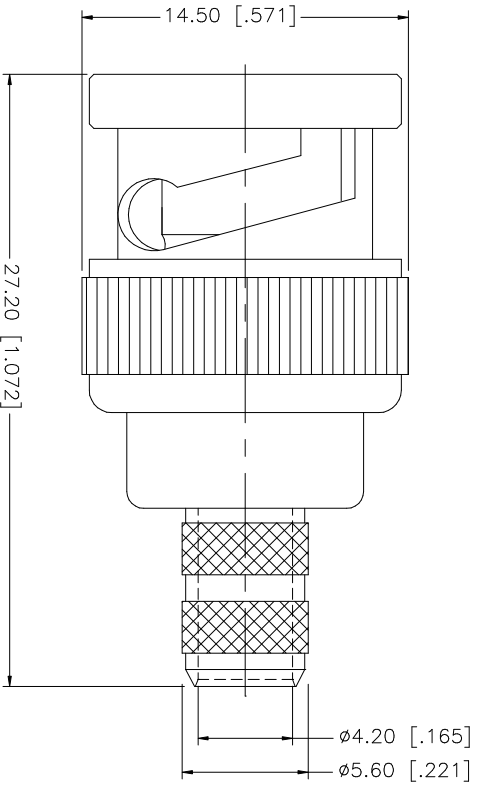
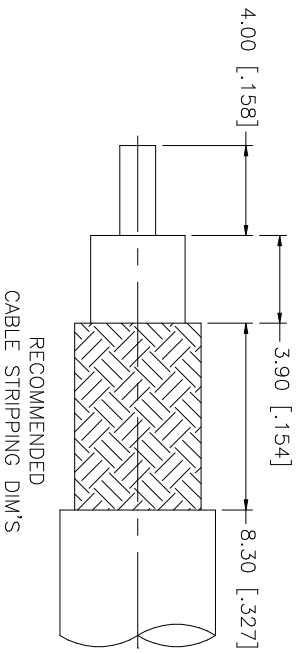


REV.	DATE	DESCRIPTION
NC	06/07/99	INITIAL RELEASE
A	07/31/05	UPDATE DRAWING FORMAT



DESCRIPTION	MATERIAL	FINISH	QTY	DO NOT SCALE DRAWING	APPROVALS	DATE	PART DESCRIPTION	DWG. NO.	REV.	SIZE	SCALE
8							<b>Amphenol Connex</b> BNC REVERSE POLARITY CRIMP PLUG (FOR LMR 240, 8X, B 7808A CABLE)	112533RP.DWG	A	A	NA
7											
6											
5											
4	FERRULE	COPPER	NICKEL	1							
3	CONTACT PIN	PHOS. BRONZE	GOLD	1							
2	INSULATOR	TEFLON	NATURAL	1							
1	BODY	BRASS	NICKEL	1							
				UNLESS OTHERWISE SPECIFIED DIMENSIONS ARE IN MILLIMETERS. DIMENSIONS IN [ ] ARE IN INCHES AND FOR CUSTOMER REFERENCE ONLY. TOLERANCES FOR MILLIMETERS ARE: 0.5 - 8mm ± 0.20mm 8 - 30mm ± 0.40mm 30 - 120mm ± 0.50mm UNLESS OTHERWISE SPECIFIED TOLERANCES FOR INCHES ARE: .020 - .315 = ± 0.002" .315 - 1.180 = ± 0.015" 1.180 - 4.724 = ± 0.020"							
CAD FILE					C:/112/112533RP.DWG						
SHEET					1 OF 1						