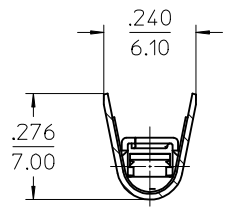
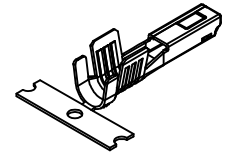
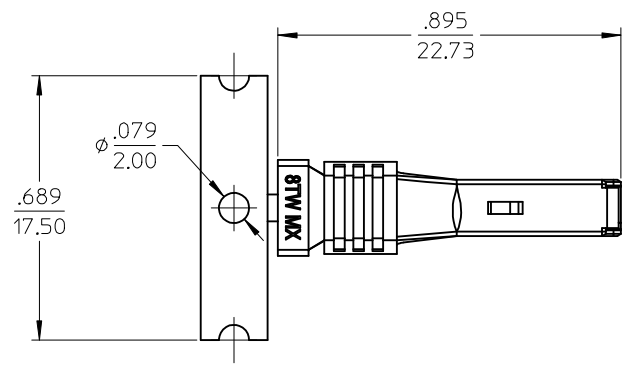
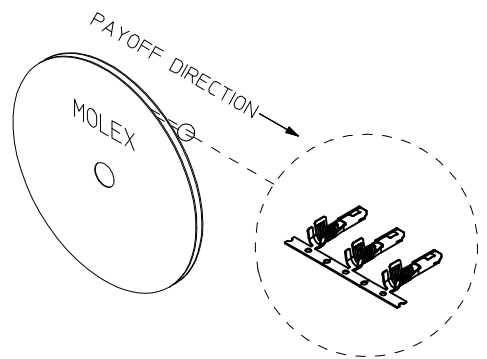
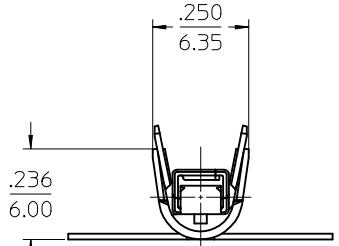


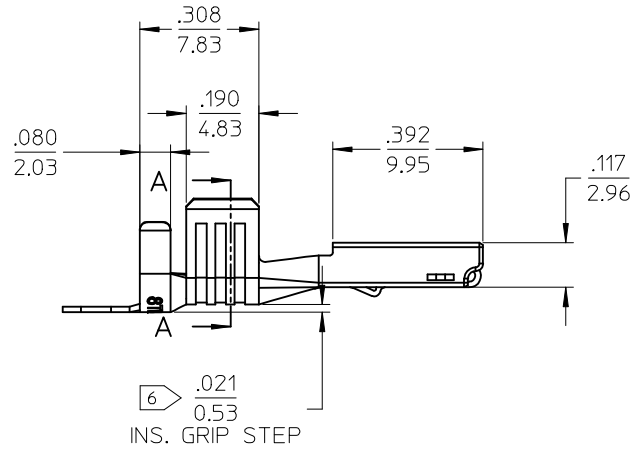
STRIP MATERIAL NUMBER	LOOSE PIECE MATERIAL NUMBER	AWG SIZE	WIRE INSULATION DIAMETER
194340005	194340006	8 TW	.153-.191* (3.90-4.85MM)



SECTION A-A
CONDUCTOR GRIP



INSULATION GRIP



- NOTES:
1. MATERIAL: COPPER ALLOY.
 2. FINISH: PREPLATED AND REFLOWED OVERALL. 100μ TIN OVER 50μ NICKEL, MINIMUM.
 3. TERMINALS NOT FOR USE WITH 19432**** RECEPTACLE HOUSINGS.
 4. PACKAGING SPECIFICATION: PK-19434-001 FOR LOOSE TERMINALS. STRIP PARTS ARE REELED 2000 TERMINALS PER REEL. (B)
 5. APPLICATION TOOLING AND CRIMP SPECIFICATIONS: CONSULT FACTORY
 - 6 INSULATION GRIP STEP DIMENSION NOT TO BE ALTERED BY CRIMP PROCESS.
 7. ALL DIMENSIONS ARE REFERENCE.

CHG REEL QTY FROM 2500	EC NO: IPG2015-0205	2014/07/31	DRW:WLEUNG
		2014/07/31	CHKD:WLODEGE
		2014/08/12	APPR:BWODMAN
REV	DESCRIPTION		

QUALITY SYMBOLS	GENERAL TOLERANCES (UNLESS SPECIFIED)
▽=0	mm INCH
▽=0	4 PLACES ± --- ± ---
	3 PLACES ± --- ± 0.10
	2 PLACES ± 0.25 ± .02
	1 PLACE ± 0.5 ± ---
	0 PLACE ± --- ± ---
	ANGULAR ± 3 °
	DRAFT WHERE APPLICABLE MUST REMAIN WITHIN DIMENSIONS

DIMENSION STYLE	SCALE	DESIGN UNITS	THIRD ANGLE PROJECTION
IN/MM	4:1	INCH	
DRAWN BY	DATE	TITLE	
WLEUNG	2012/11/26	MX150L FEMALE TERMINAL	
CHECKED BY	DATE	8AWG TW	
BRUPERT	2013/09/06	(THIN WALL INSULATION)	
APPROVED BY	DATE		
JFMURPHY	2013/12/26		
MATERIAL NO.	DOCUMENT NO.		
SEE CHART	SD-19434-002		
SIZE			
C			

SHEET NO.	1 OF 1
THIS DRAWING CONTAINS INFORMATION THAT IS PROPRIETARY TO MOLEX INCORPORATED AND SHOULD NOT BE USED WITHOUT WRITTEN PERMISSION	