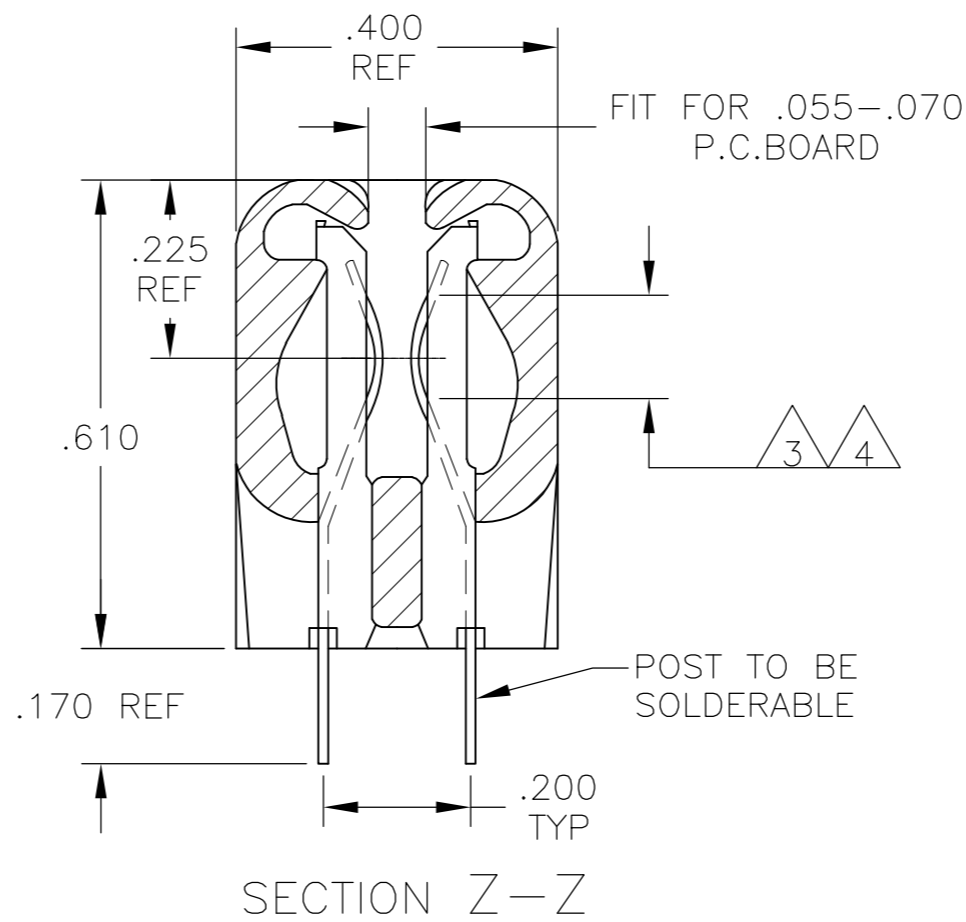
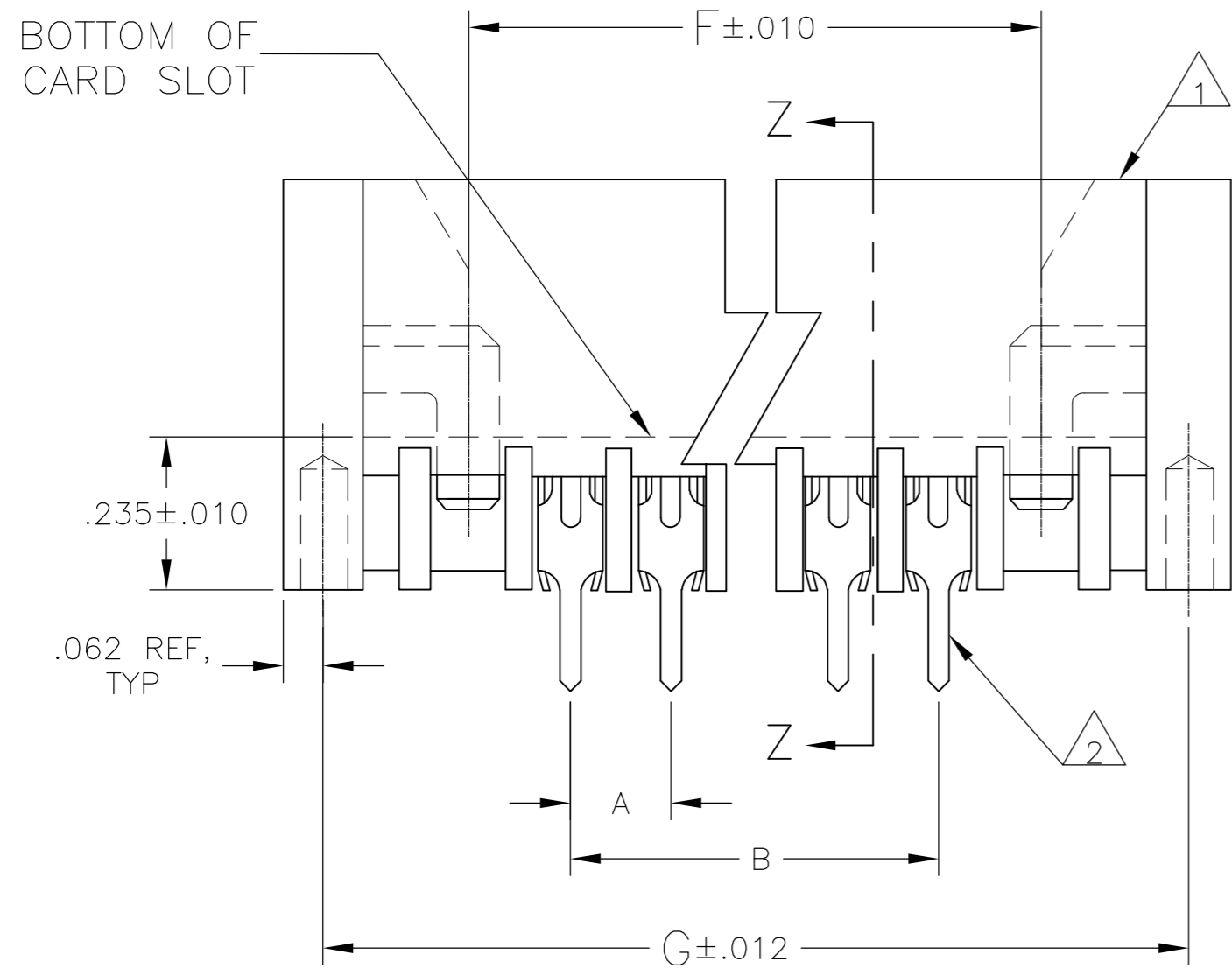


THIS DRAWING IS UNPUBLISHED. RELEASED FOR PUBLICATION
 © COPYRIGHT BY TYCO ELECTRONICS CORPORATION. ALL RIGHTS RESERVED.

LOC	DIST	REVISIONS					
AD	00	P	LTR	DESCRIPTION	DATE	DWN	APVD
		A		REVISED PER ECO-10-019928	28OCT10	DH	MM



- 1 HOUSING MATERIAL: GLASS-FILLED POLYESTER, COLOR-BLACK
- 2 CONTACT MATERIAL: PHOSPHOR BRONZE
- 3 FINISH: .000015 GOLD,SELECTIVE.
- 4 FINISH: .000030 GOLD,SELECTIVE.
- 6 OBSOLETE PARTS: OBSOLETE CIS STREAMLINING PER D.RENAUD/D.SINISI

FINISH	G	F	B	A	NO OF POSN	PART NO
△	2.134	1.8	1.6	0.1	17	6-5583715-1
△	6.234	5.9	5.7	0.1	58	6-5583715-0
△	5.934	5.6	5.4	0.1	55	5-5583715-9
△	6.534	6.2	6.0	0.1	61	5-5583715-8
△	8.434	8.1	7.9	0.1	80	5-5583715-7
△	5.934	5.6	5.4	0.1	55	5-5583715-6
△	0.934	0.6	0.4	0.1	5	5-5583715-5
△	7.434	7.1	6.9	0.1	70	5-5583715-4
△	6.934	6.6	6.4	0.1	65	5-5583715-3
△	7.834	7.5	7.3	0.1	74	5-5583715-2
△	7.634	7.3	7.1	0.1	72	5-5583715-1
△	6.434	6.1	5.9	0.1	60	5-5583715-0
△	7.734	7.4	7.2	0.1	73	4-5583715-9
△	5.434	5.1	4.9	0.1	50	4-5583715-8
△	5.334	5.0	4.8	0.1	49	4-5583715-7
△	5.234	4.9	4.7	0.1	48	4-5583715-6
△	5.134	4.8	4.6	0.1	47	4-5583715-5
△	5.034	4.7	4.5	0.1	46	4-5583715-4
△	4.934	4.6	4.4	0.1	45	4-5583715-3
△	4.834	4.5	4.3	0.1	44	4-5583715-2
△	4.734	4.4	4.2	0.1	43	4-5583715-1
△	4.634	4.3	4.1	0.1	42	4-5583715-0
△	4.534	4.2	4.0	0.1	41	3-5583715-9
△	4.434	4.1	3.9	0.1	40	3-5583715-8
△	4.334	4.0	3.8	0.1	39	3-5583715-7
△	4.234	3.9	3.7	0.1	38	3-5583715-6
△	4.134	3.8	3.6	0.1	37	3-5583715-5
△	4.034	3.7	3.5	0.1	36	3-5583715-4
△	3.934	3.6	3.4	0.1	35	3-5583715-3
△	3.834	3.5	3.3	0.1	34	3-5583715-2
△	3.734	3.4	3.2	0.1	33	3-5583715-1
△	3.634	3.3	3.1	0.1	32	3-5583715-0
△	3.534	3.2	3.0	0.1	31	2-5583715-9
△	3.434	3.1	2.9	0.1	30	2-5583715-8
△	3.334	3.0	2.8	0.1	29	2-5583715-7
△	3.234	2.9	2.7	0.1	28	2-5583715-6
△	3.134	2.8	2.6	0.1	27	2-5583715-5
△	3.034	2.7	2.5	0.1	26	2-5583715-4
△	2.934	2.6	2.4	0.1	25	2-5583715-3
△	2.834	2.5	2.3	0.1	24	2-5583715-2
△	2.734	2.4	2.2	0.1	23	2-5583715-1
△	2.634	2.3	2.1	0.1	22	2-5583715-0
△	2.534	2.2	2.0	0.1	21	1-5583715-9
△	2.434	2.1	1.9	0.1	20	1-5583715-8
△	2.334	2.0	1.8	0.1	19	1-5583715-7
△	2.234	1.9	1.7	0.1	18	1-5583715-6
△	2.134	1.8	1.6	0.1	17	1-5583715-5
△	2.034	1.7	1.5	0.1	16	1-5583715-4
△	1.934	1.6	1.4	0.1	15	1-5583715-3
△	1.834	1.5	1.3	0.1	14	1-5583715-2
△	1.734	1.4	1.2	0.1	13	1-5583715-1
△	1.634	1.3	1.1	0.1	12	1-5583715-0
△	1.534	1.2	1.0	0.1	11	5583715-9
△	1.434	1.1	0.9	0.1	10	5583715-8
△	1.334	1.0	0.8	0.1	9	5583715-7
△	1.234	0.9	0.7	0.1	8	5583715-6
△	1.134	0.8	0.6	0.1	7	5583715-5
△	1.034	0.7	0.5	0.1	6	5583715-4
△	0.934	0.6	0.4	0.1	5	5583715-3
△	0.834	0.5	0.3	0.1	4	5583715-2
△	0.734	0.4	0.2	0.1	3	5583715-1

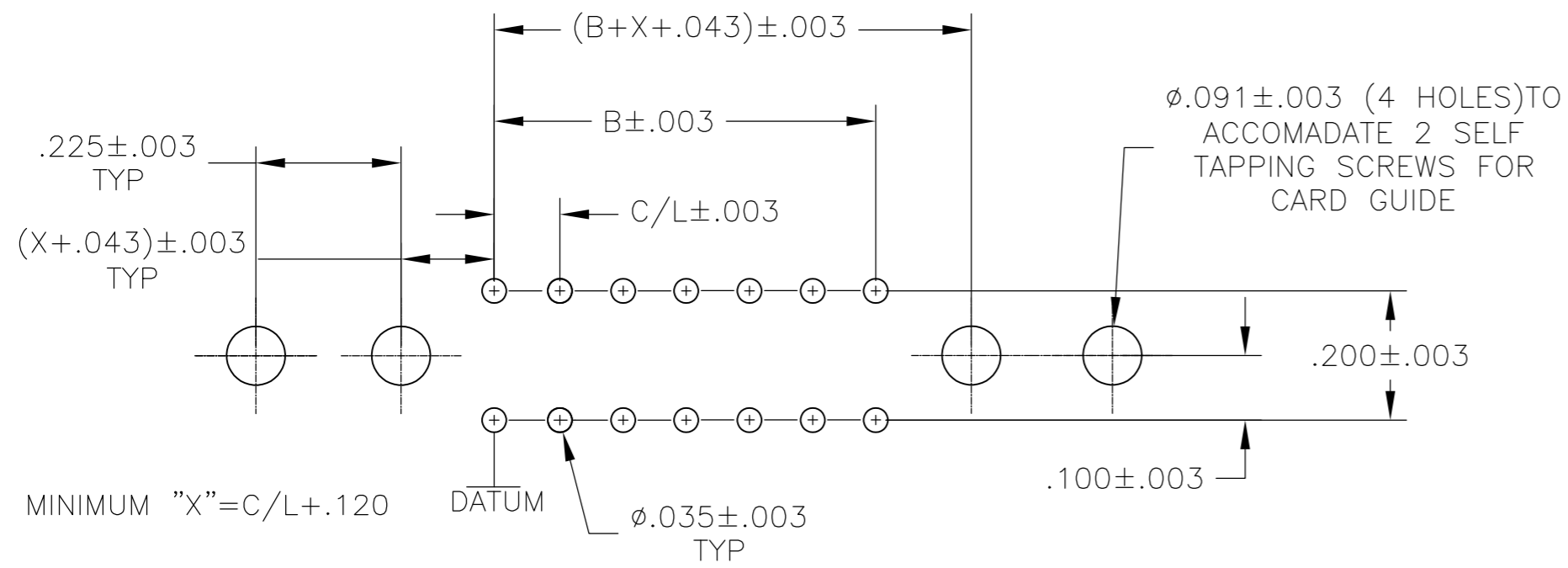
THIS DRAWING IS A CONTROLLED DOCUMENT.

DWN	A.M.SHAAP	9-9-82	Tyco Electronics Corporation Harrisburg, Pa 17105-3608
CHK	RAYFI	11-10-82	
APVD	RAY JOHNATHON	11-10-82	
PRODUCT SPEC			
NAME	ASSEMBLY, TWIN LEAF, .100 C/L .010 X .024 SOLDER TYPE POST, END CAP VERSION		
APPLICATION SPEC			RESTRICTED TO
WEIGHT			SIZE CAGE CODE DRAWING NO
MATERIAL			A2 00779 C=5583715
FINISH			SCALE 4:1 SHEET 1 OF 2 REV A

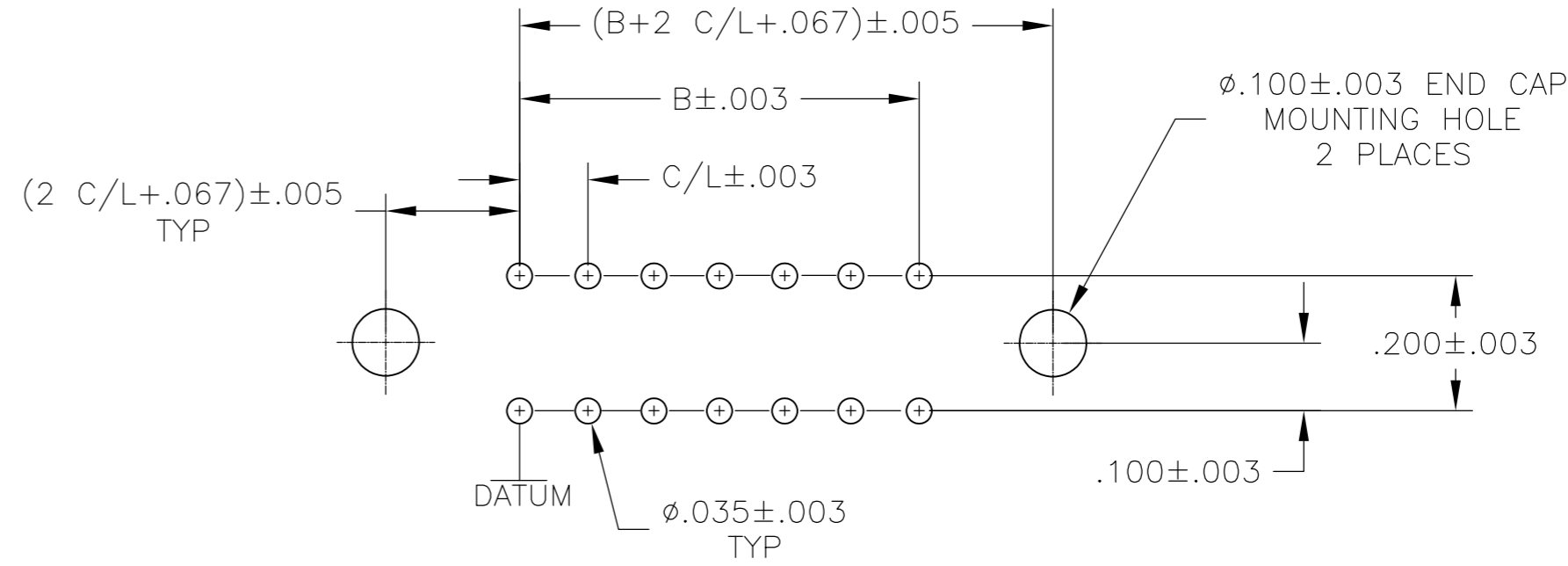
CUSTOMER DRAWING

THIS DRAWING IS UNPUBLISHED. RELEASED FOR PUBLICATION
 © COPYRIGHT BY TYCO ELECTRONICS CORPORATION. ALL RIGHTS RESERVED.

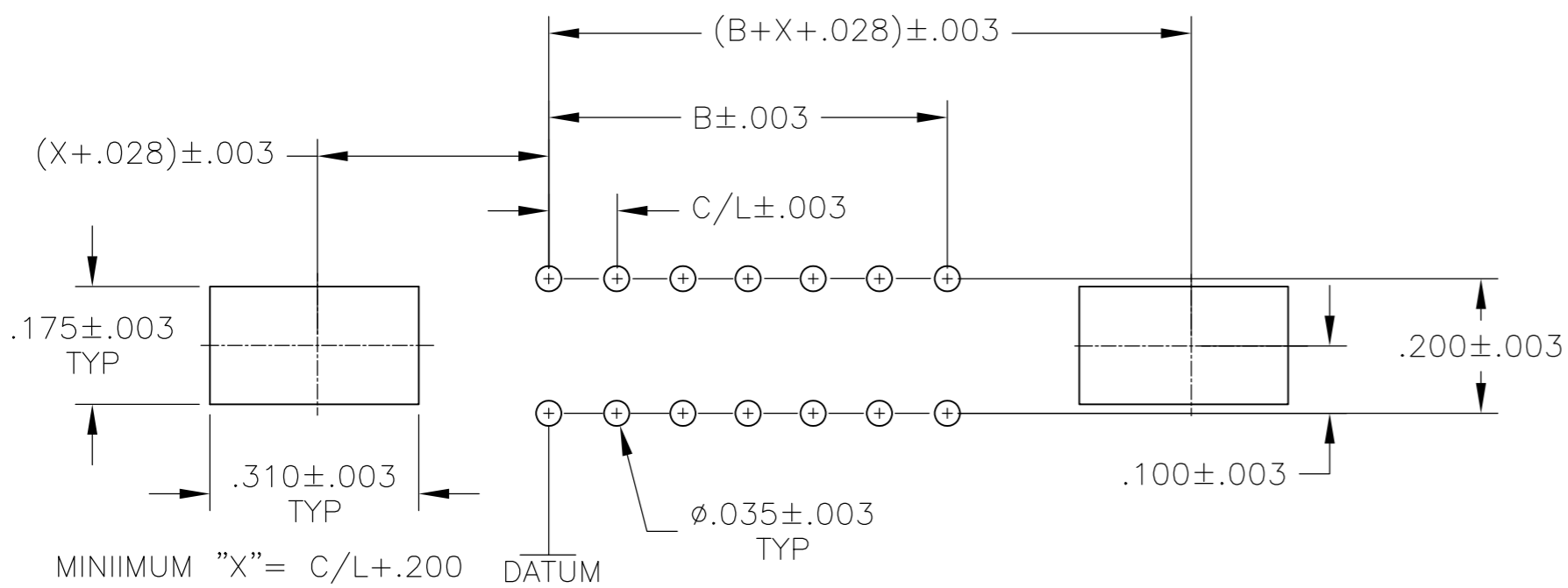
LOC		DIST		REVISIONS					
AD	00			P	LTR	DESCRIPTION	DATE	DWN	APVD
				-	-	SEE SHEET 1	-	-	-



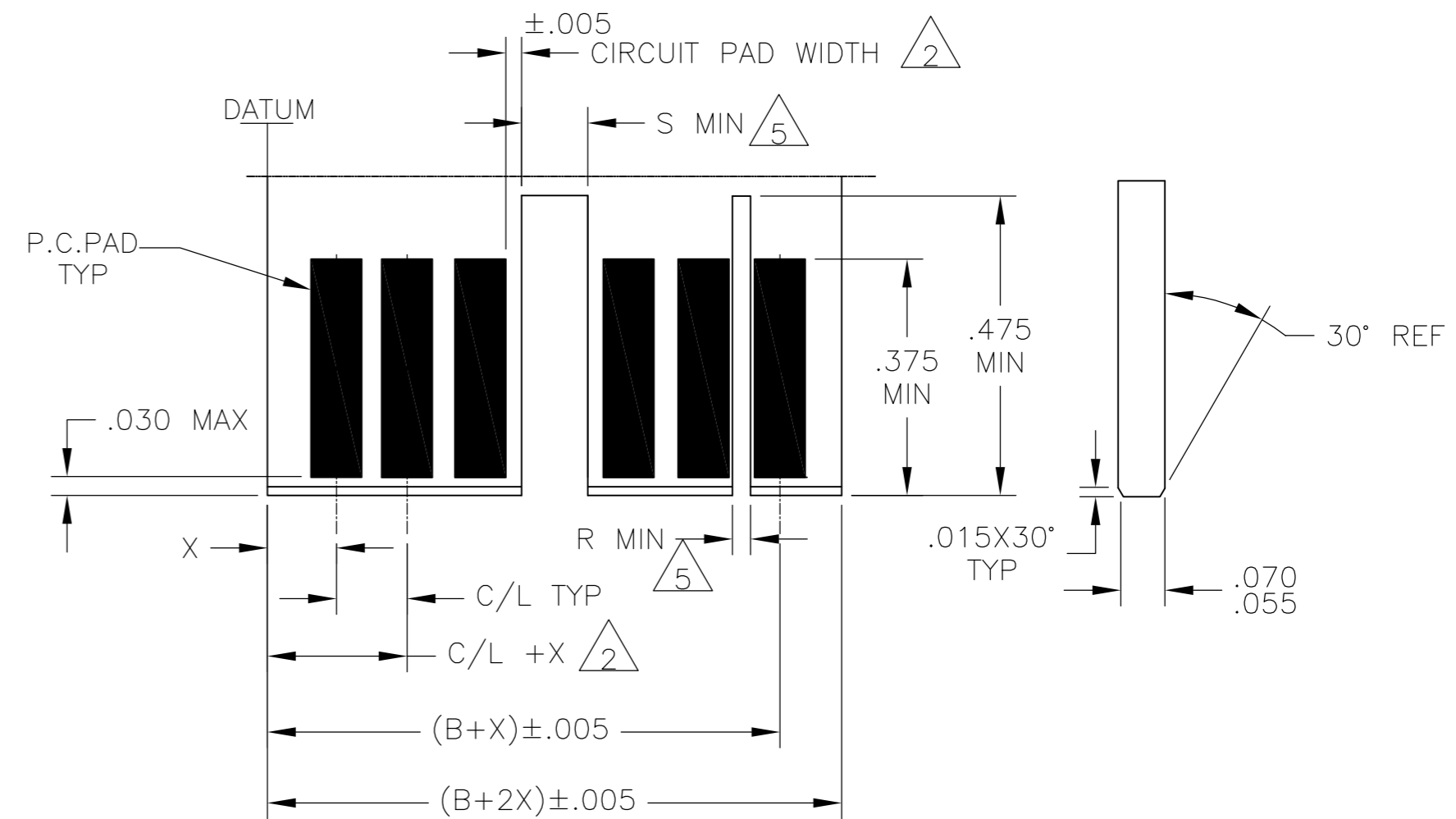
BOARD LAYOUT USE WITH AMP CARD GUIDE PART NO.583671



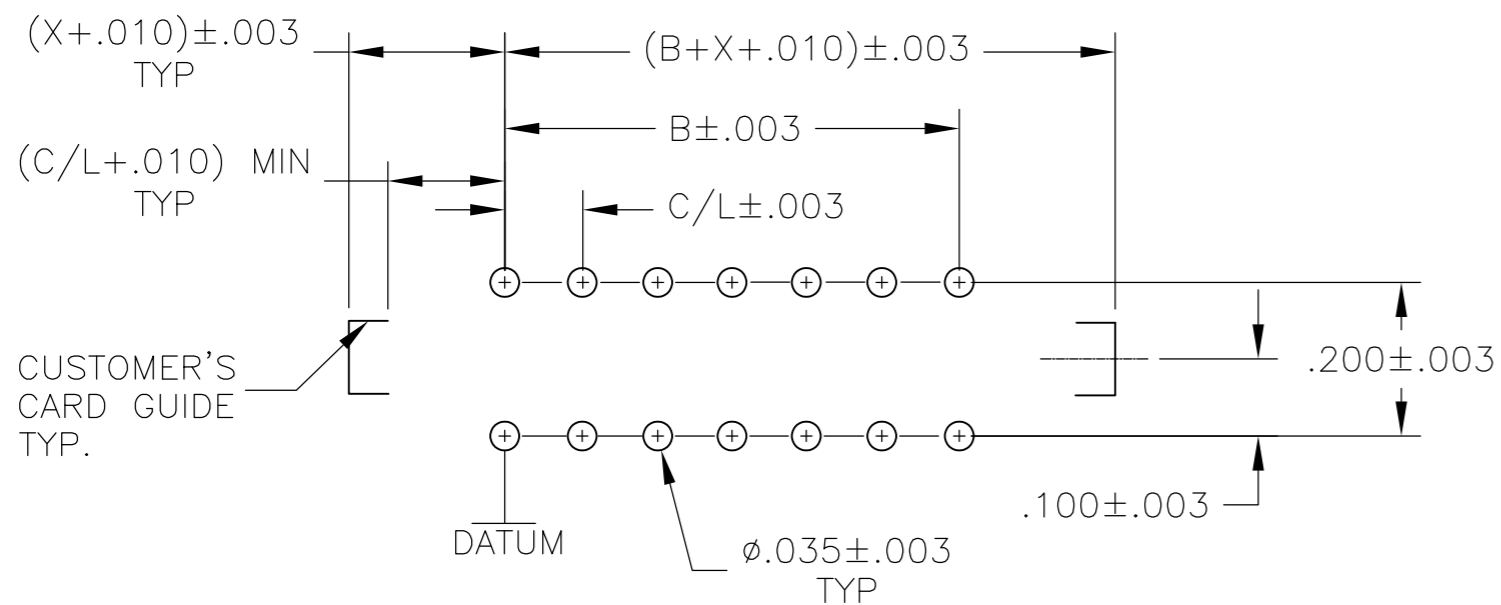
BOARD LAYOUT USE WITH END CAP



BOARD LAYOUT USE WITH AMP CARD GUIDE PART NO.583408 OR 583425



DAUGHTER BOARD LAYOUT



BOARD LAYOUT USE WITH CUSTOMER SUPPLIED CARD GUIDE

- MAX ALLOWABLE WARPAGE OF MOTHER BOARD NOT TO EXCEED .005/IN. MAX.ALLOWABLE BOW OF DAUGHTER BOARD NOT TO EXCEED .010/IN. THICKNESS OF MOTHER BOARD IS .062 FOR DOUBLE SLOTTED CARD GUIDES AND .104 MAX. FOR ALL OTHER MOUNTING CONDITIONS.
- △2 EACH PAD LOCATION INCREASES BY C/L±.005 WITH A NON-CUMULATIVE TOLERANCE OF ±.005
CIRCUIT PAD WIDTH -.045 FOR .100 C/L, .072 FOR .125 C/L, .072 FOR .150 C/L .080 FOR .156 C/L
DIMENSIONS APPLY TO BOTH SIDES OF DAUGHTER BOARD.
- C/L INCREMENTS ON MOTHER BOARD HAVE ±.003 NON-CUMULATIVE TOLERANCE.
- "X" IS A CUSTOMER CONTROLLED DIMENSION EXCEPT FOR END CAP ASSEMBLIES WHERE "X" = C/L - .008
- △5 THE SLOT FOR INTER-CONTACT KEYING PLUGS MUST BE CENTERED BETWEEN THE PRINTED CIRCUIT PADS, WHILE THE SLOT FOR ON-CONTACT KEYING PLUGS MUST BE CENTERED ON THE AREA OF A PRINTED CIRCUIT PAD.

INTER-CONTACT KEYING PLUG	"R"	FOR CENTER LINE SPACING
530030-1	.050	.125-.150-.156
530030-2	.040	.100

ON CONTACT KEYING PLUG	"S"	FOR CENTER LINE SPACING
583714-1	.129	.100-.125
583714-2	.160	.150-.156

THIS DRAWING IS A CONTROLLED DOCUMENT.		DWN M.SMITH 5-10-82	Tyco Electronics Corporation Harrisburg, Pa 17105-3608	
DIMENSIONS: INCHES		CHK RAYFI 11-10-82	NAME HOUSING ASSEMBLY TWIN LEAF CONNECTOR	
TOLERANCES UNLESS OTHERWISE SPECIFIED:		APVD RAY JOHNATHON 11-10-82	PRODUCT SPEC	
0 PLC ± -		APPLICATION SPEC		
1 PLC ± -		WEIGHT -		
2 PLC ± -		SIZE A2 CAGE CODE 00779 DRAWING NO C=5583715		
3 PLC ± -		RESTRICTED TO		
4 PLC ± -		SCALE 4:1 SHEET 2 OF 2 REV A		
ANGLES ± -		CUSTOMER DRAWING		
FINISH -				