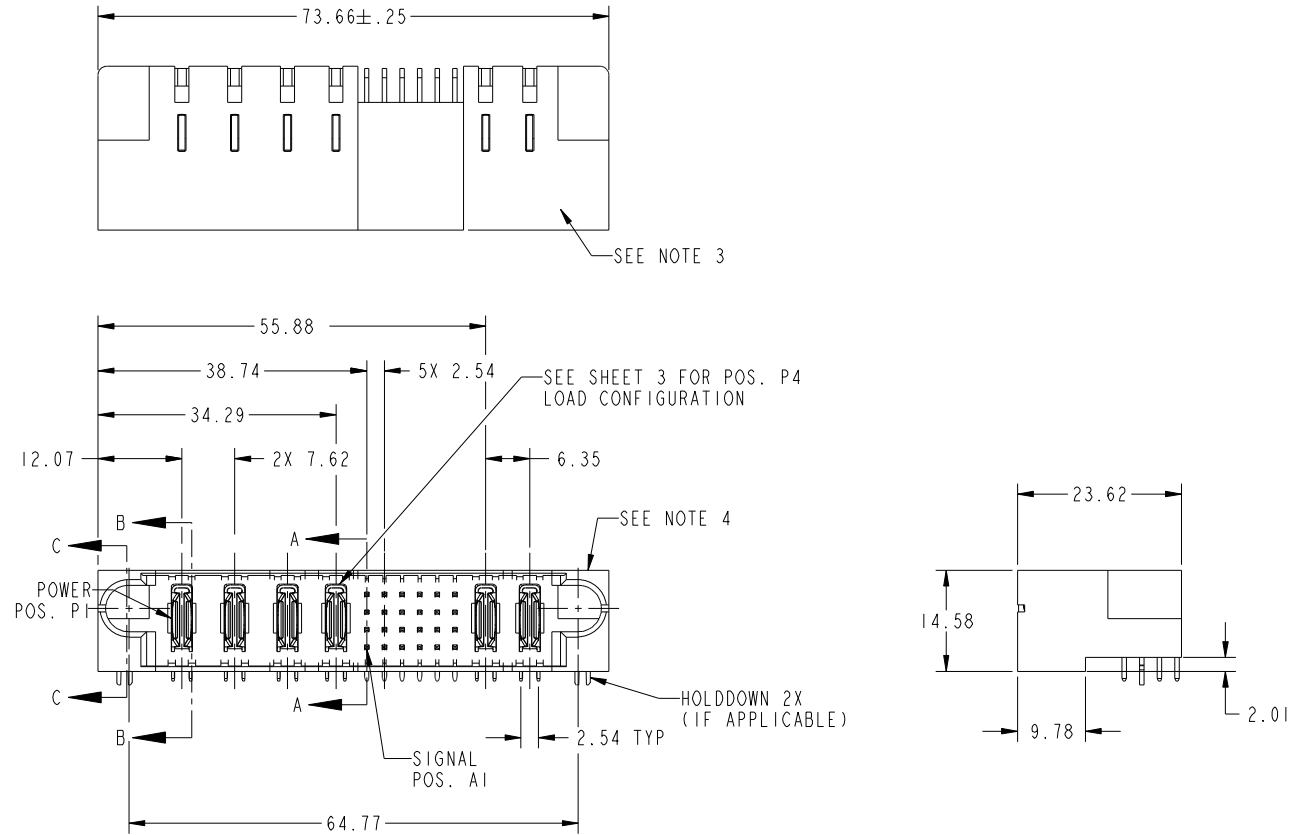


Tous droits strictement réservés. Reproduction ou communication a des tiers interdite sous quelque forme que ce soit sans autorisation écrite du propriétaire. Propriete de c FCI. Droits de reproduction FCI.

All rights strictly reserved. Reproduction or issue to third parties in any form whatever is not permitted without written authority from the proprietor. Property of FCI. Copyright FCI.



PRODUCT NUMBER  
SEE SHEET 3



mat'l code				SEE NOTE		tolerances unless otherwise specified		CUSTOMER		 www.fciconnect.com		
ltr	ecn no.	dr	date	linear	0.X ± 0.5		COPY		 title 3ACP + 1P + 24S + 2P RIGHT ANGLE SOLDER HEADER	product family PwrBlade code 213		
H	DG08-0272	JW	09/30/08		0.XX ± 0.25		projection			size	dwg no	sheet 1 of 3
B	V02943	JRW	12/18/00		0.XXX ± 0.1		 scale 1:1			A	51786	
C	V11186	CGD	04/12/01	angles	0° ± 2°							
D	V12138	JRW	04/13/05	dr	E. KORFF 06/20/00							
E	DG05-0083	SW	04/13/05	engr	J. BROWN 06/20/00							
F	DG05-0103	JM	05/08/05	chr	J. BROWN 06/20/00							
G	DG05-0572	JMG	01/05/06	appd	J. BROWN 06/20/00							
sheet index	revision sheet	H 1	H 2	H 3								

Pro/E

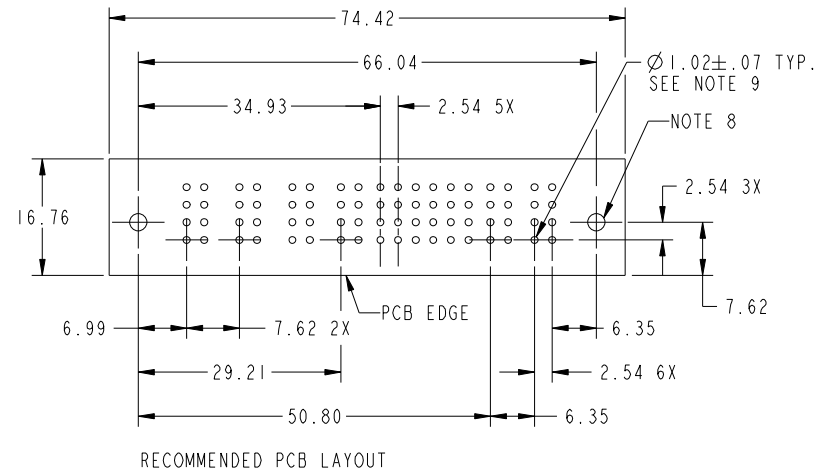
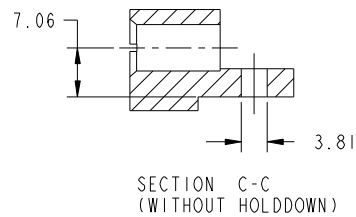
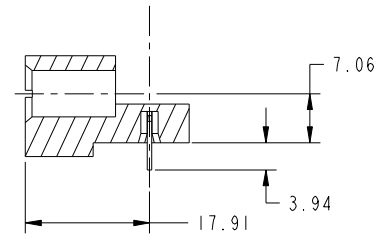
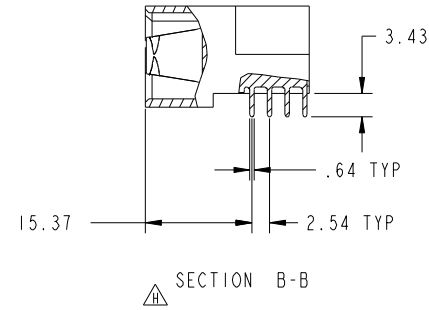
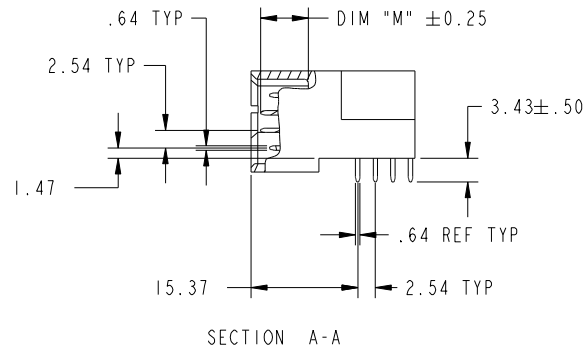
cage code 22526

Tous droits strictement reserves. Reproduction ou communication a des tiers interdite sous quelque forme que ce soit sans autorisation ecrite du proprietaire. Propriete de c FCI. Droits de reproduction FCI.



All rights strictly reserved. Reproduction or issue to third parties in any form whatever is not permitted without written authority from the proprietor. Property of FCI. Copyright FCI.

PRODUCT NUMBER  
SEE SHEET 3



mat'l code		SEE NOTE		tolerances unless otherwise specified		CUSTOMER		 www.fciconnect.com	
ltr	ecr no.	dr	date	linear	0.X ±0.5	COPY		title	
H				angles	0.XX ±0.25	projection		3ACP + 1P + 24S + 2P	
				dr	0.XXX ±0.1			RIGHT ANGLE SOLDER HEADER	
				enr	0° ±2°			product family PwrBlade code	
				chr	E. KORFF 06/20/00	scale		size	
				appd	J. BROWN 06/20/00	1:1		dwg no	
					J. BROWN 06/20/00			51786	
sheet index	revision sheet							sheet	
								2 of 3	

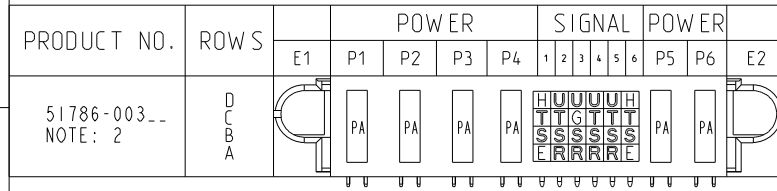
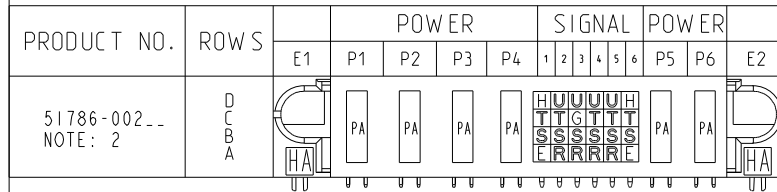
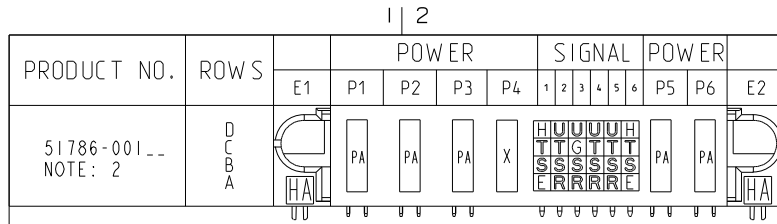
cage code 22526

Pro/E

Tous droits strictement reserves. Reproduction ou communication a des tiers interdite sous quelque forme que ce soit sans autorisation écrite du propriétaire. Propriete de c FCI. Droits de reproduction FCI.



All rights strictly reserved. Reproduction or issue to third parties in any form whatever is not permitted without written authority from the proprietor. Property of FCI. Copyright FCI.



CODE	DIM "M" MATING LENGTH	CONTACT TYPE
T	[6.86]	SIGNAL
S	[6.86]	SIGNAL
U	[6.86]	SIGNAL
R	[6.86]	SIGNAL
PA	[N/A]	POWER
HA	[N/A]	HOLD-DOWN
H	[5.59]	SIGNAL
E	[5.59]	SIGNAL
G	[5.59]	SIGNAL
X	OMITTED	OMITTED

mat'l code				SEE NOTE		tolerances unless otherwise specified		CUSTOMER		www.fciconnect.com	
ltr	ecn no.	dr	date	linear	0.X ±0.5	projection		COPY		title	
H				angles	0.XX ±0.25			3ACP + 1P + 24S + 2P		RIGHT ANGLE SOLDER HEADER	
				dr	0.XXX ±0.1			product family		PwrBlade	code
				enrg	0° ±2°	scale		size		dwg no	213
				chr	E. KORFF 06/20/00	1:1		A		51786	sheet
				appd	J. BROWN 06/20/00						3 of 3
					J. BROWN 06/20/00						
sheet index	revision sheet										

- CONNECTOR NOTES:
- HOUSING MATERIAL: UL 94 V-0 GLASS FILLED HIGH-TEMP THERMOPLASTIC  
POWER CONTACT MATERIAL: COPPER ALLOY  
SIGNAL PIN MATERIAL: COPPER ALLOY
  - PLATING  
SEE ITEM 1 & 2 IN PRINT 10064183 FOR PLATING SPEC. OF 51786-XXX; 51786-XXXLF
  - MANUFACTURER'S NAME, P/N, AND DATE CODE TO APPEAR ON THIS SURFACE.
  - PRODUCT SPECIFICATION GS-12-149.  
APPLICATION SPECIFICATION BUS-20-067.
- PCB NOTES:
- ALL DIMENSIONS ARE BASIC UNLESS OTHERWISE SPECIFIED.
  - ALL THROUGH HOLES ARE LOCATED WITH A TRUE POSITION OF 0.10
  - ALL HOLE DIAMETERS ARE FINISHED HOLE SIZE.
  - Ø2.49+0.05/-0.02 THROUGH HOLES ARE UNPLATED (-001 AND -002)  
Ø4.01±0.07 THROUGH HOLES ARE UNPLATED (-003 ONLY)
  - Ø1.151±0.025 DRILLED HOLES PLATED WITH 0.008 MIN SnPb OR Sn OVER 0.03 TO 0.08 Cu PLATING TO ACHIEVE Ø1.02±.07 HOLE.
  - A SYMBOL WILL BE NEXT TO ANY DIMENSION, VIEW, OR NOTE WHICH HAS BEEN MODIFIED WITH THE CURRENT DRAWING REVISION.