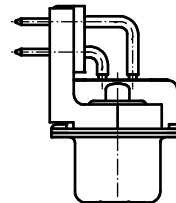
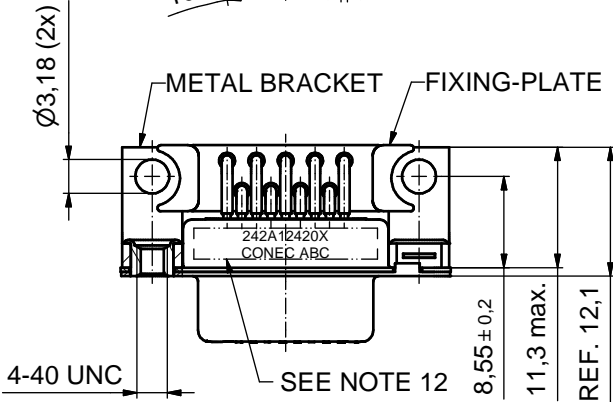
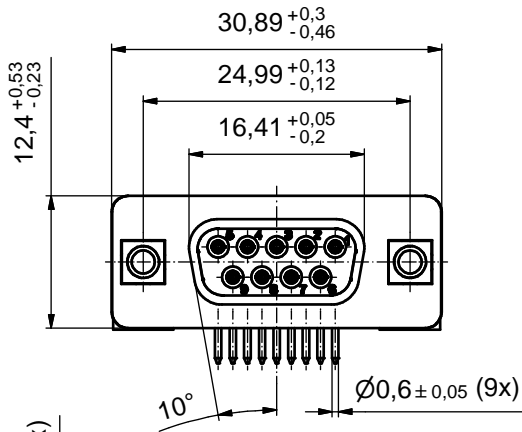
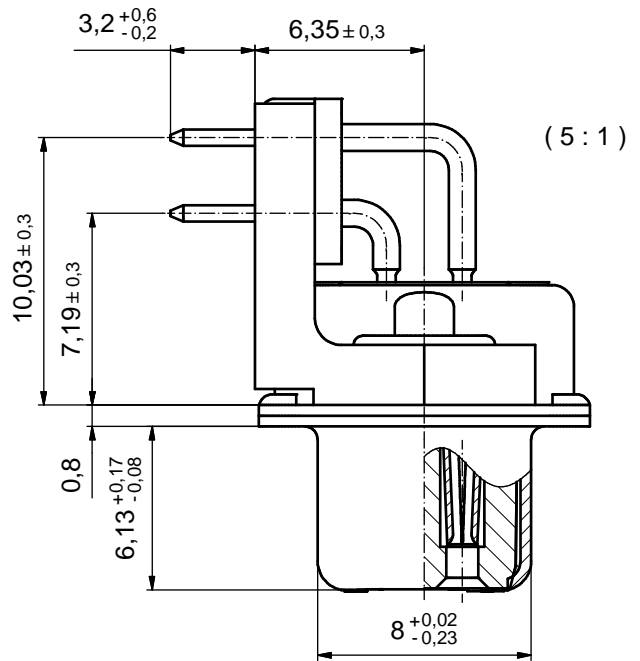
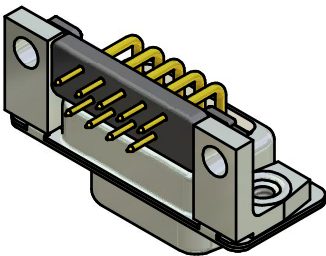


P.C.B. HOLE DRILLINGS
(P.C.B. TOP SIDE)



NOTES:

1. RoHS COMPLIANT
2. FOR WAVESOLDERING (SOLDER BATH TEMPERATURE 260°C FOR 5 SEC. AND SOLDER PREHEAT 100°C FOR 30 SEC.)
3. METALSHELLS: STEEL; min. 315µin TIN over 40-80µin NICKEL
4. INSULATORS: HIGH TEMPERATURE PLASTIC UL 94 V-0, BLACK
5. CONTACTS: COPPER ALLOY
PLATING: 8µin HARD GOLD over min. 50µin NICKEL
CONTACT TAILS PRETINNED
6. METAL BRACKETS: ZINC DIE CAST; 300µin COPPER/40-120µin NICKEL/120-200µin TIN
7. THREADED INSERTS: COPPER ALLOY; min. 200µin TIN over 80µin NICKEL
8. FIXING-PLATE: HIGH TEMPERATURE PLASTIC UL 94 V-0; BLACK
9. CAPACITANCE: 830pF±20%
10. DIELECTRIC WITHSTANDING VOLTAGE: 424 VDC
11. MAXIMUM TORQUE VALUE FOR THREAD: 6 in.LB
12. CONNECTOR IS PART MARKED: 242A12420X CONEC ABC



Directive 2002/95/EC
 „RoHS“
 Compliant

APPROVAL # FREIGABE # DEBLOCAGE # AUTORIZACION # APPROVAL	
CUSTOMER APPROVAL DATE:	
NAME:	TITLE:
COMPANY NAME:	
APPROVAL # FREIGABE # DEBLOCAGE # AUTORIZACION # APPROVAL	

THIS DRAWING MAY NOT BE COPIED OR REPRODUCED IN ANY WAY, AND MAY NOT BE PASSED ON TO A THIRD PARTY WITHOUT WRITTEN PERMISSION. OWNERSHIP AND COPYRIGHT OF CONEC GmbH			
DO NOT ALTER CAD DRAWING BY HAND			
rev.	description	date	name
a	Origin		

tolerance		dim. in mm
date	name	
drawn	26.10.09	Petker
appd.	27.10.09	Fischer
norm		
d-old		
CONEC		

scale:	2:1 (5:1)	
material:	SEE NOTES	
title:	D-SUB FILTER FEMALE 90° 9pos. SOLDER PIN ANGLED 0.318inch threaded insert and mounting bracket	
dwg no:	Inventor 10	DIN-A3
	24K1A1212	sh: 1
part no:	242A12420X	