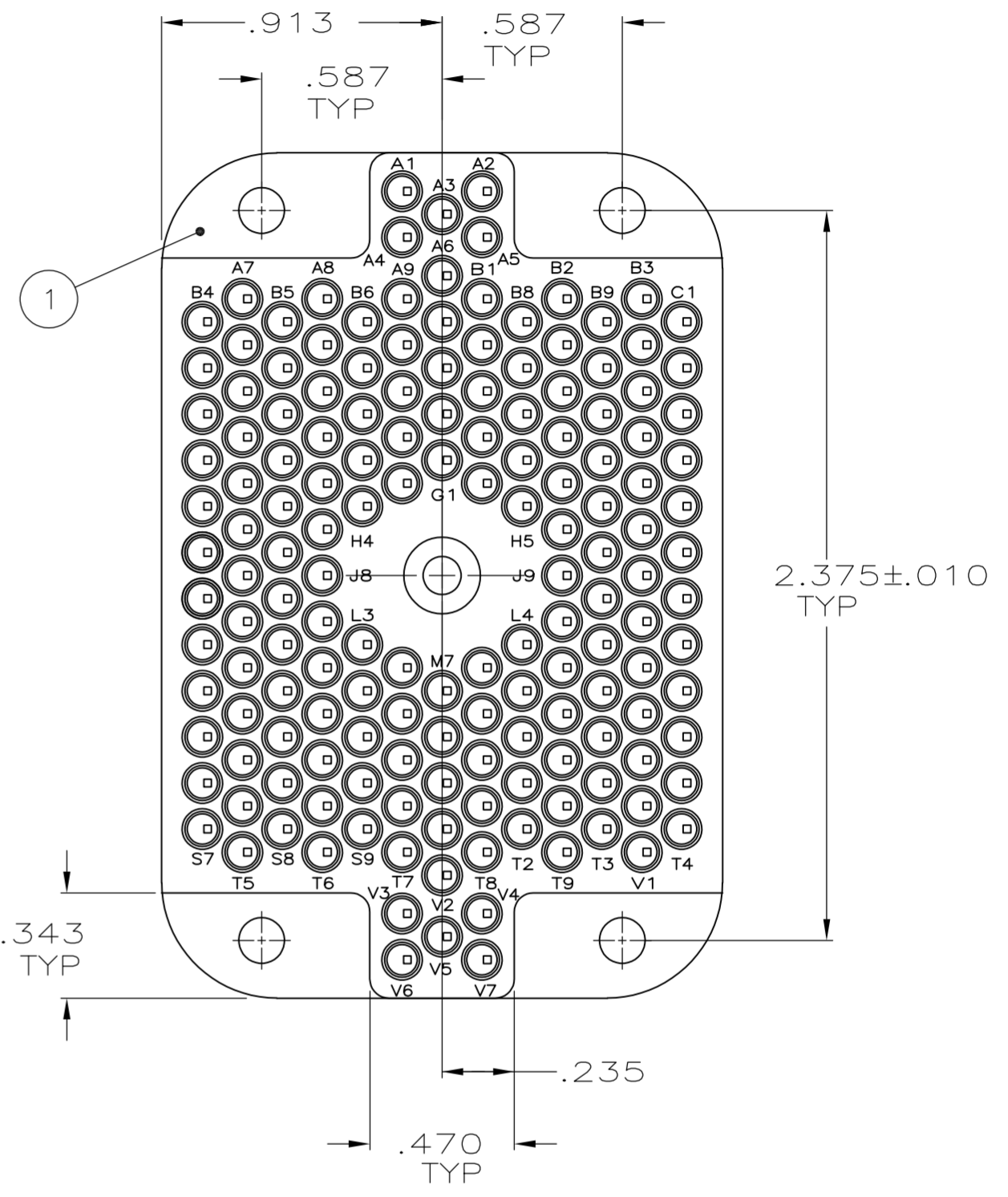
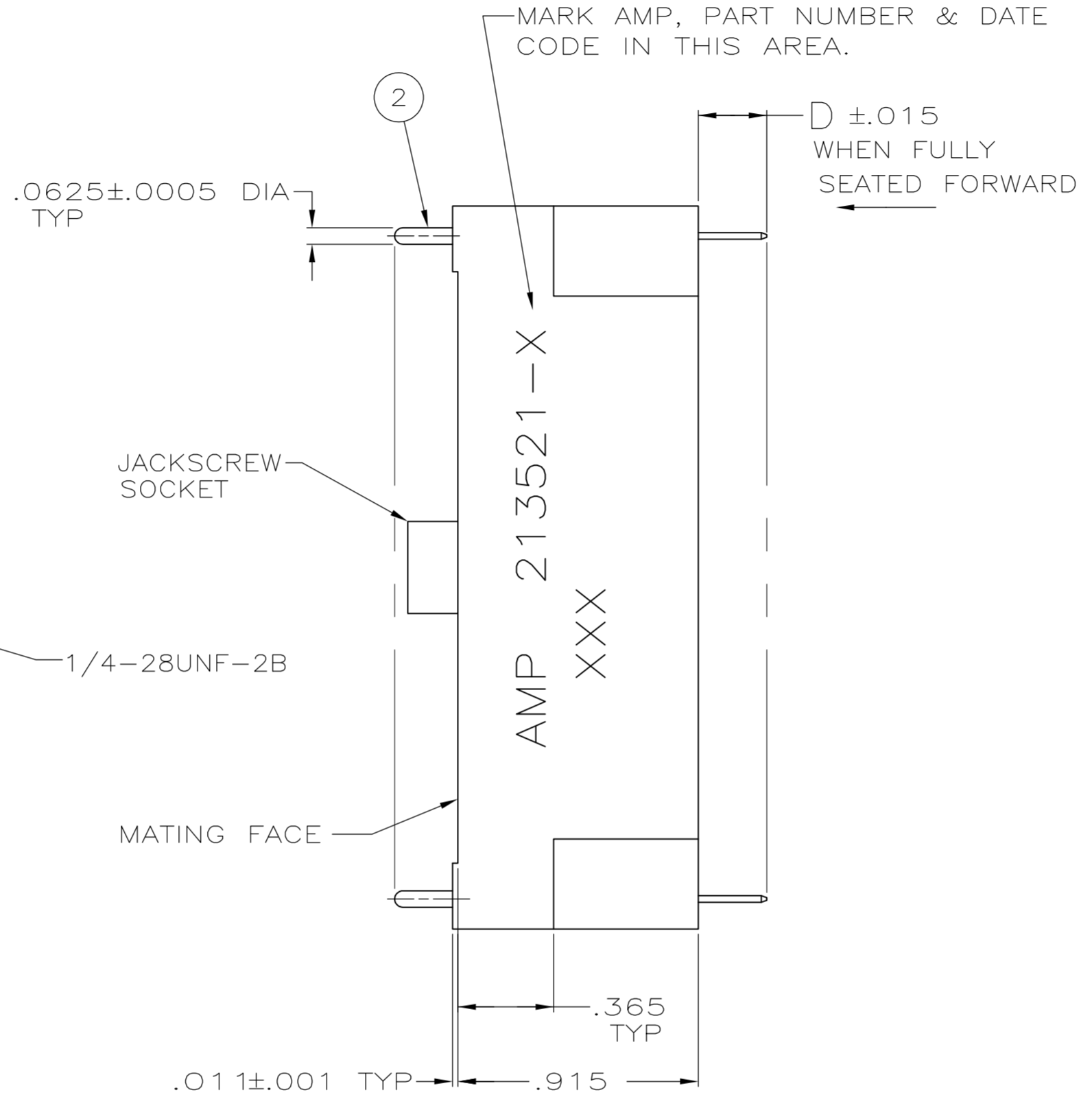
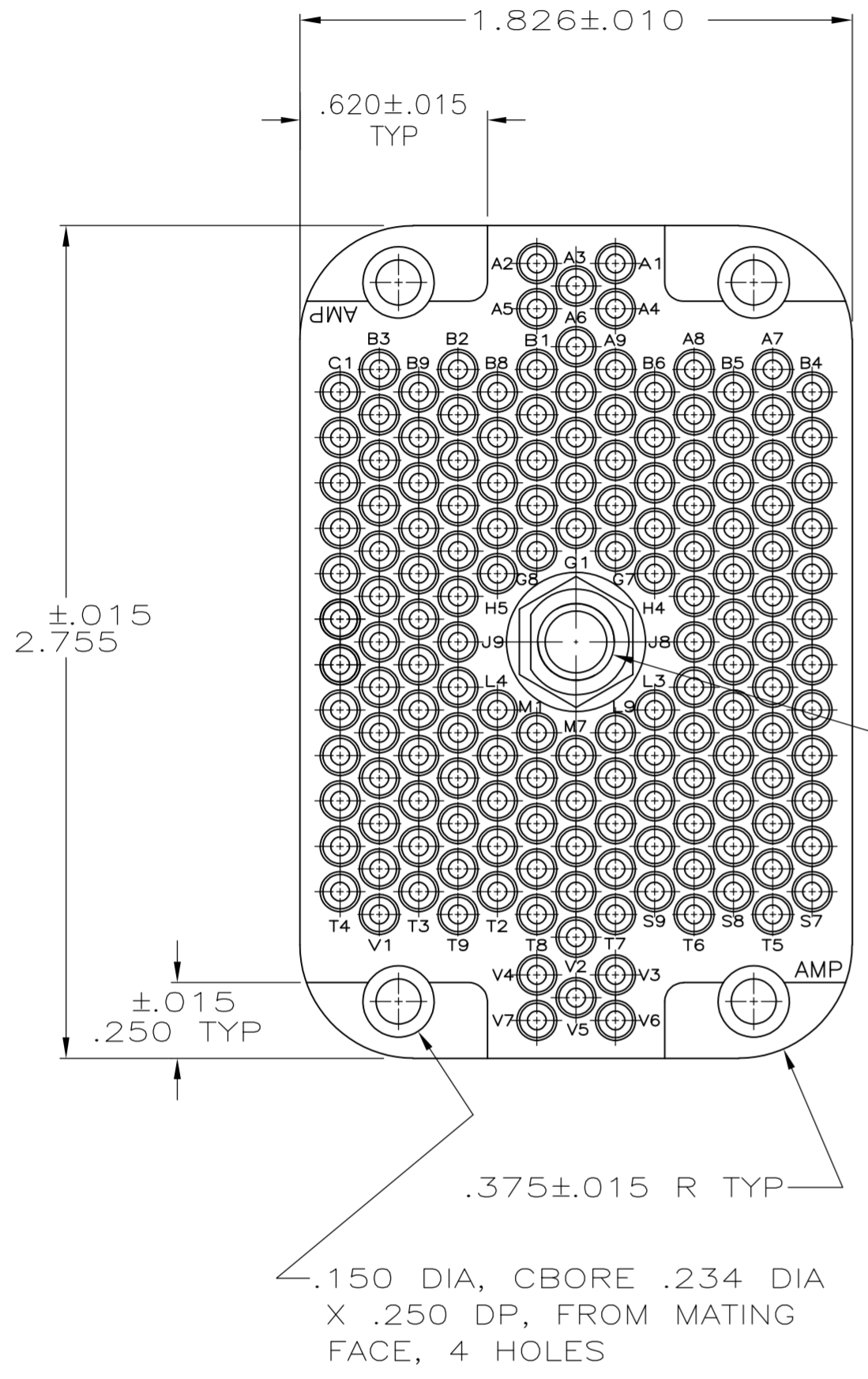


THIS DRAWING IS UNPUBLISHED. RELEASED FOR PUBLICATION
 © COPYRIGHT BY TYCO ELECTRONICS CORPORATION. ALL RIGHTS RESERVED.

LOC	DIST	REVISIONS					
FT	0	P	LTR	DESCRIPTION	DATE	DWN	APVD
		K		REVISED PER ECO-08-019142	06AUG08	HMR	GS



SUPERSEDED BY 213521-1	④	.261	6-66460-2	202800-3	BLUE	213521-6	
	—	.261	66460-7	202800-3	BLUE	213521-5	
	OBSOLETE	—	.659	66460-9	202800-4	BLACK	213521-4
	OBSOLETE	—	.470	66460-8	202800-4	BLACK	213521-3
	OBSOLETE	—	.261	66460-7	202800-4	BLACK	213521-2
	②	.261	66460-7	202800-3	BLUE	213521-1	

- 1 THIS ASSEMBLY MATES WITH 202799.
- ② .000030 MIN GOLD PLATE ON .0625 DIA .250 FROM MATING END & REMAINDER GOLD FLASH ALL OVER .000050 MIN NICKEL. POSTS PLATED TIN-LEAD .000100 MIN THICK PER MIL-T-10727 OVER NICKEL .000050 MIN THK PER QQ-N-290.
- ③ JACKSCREW SOCKET: STAINLESS STEEL; PIN CONTACT: BRASS; RECEPTACLE BLOCK: BLUE = DIALLYL PHTHALATE; BLACK = PHENOLIC.
- ④ .000030 MIN GOLD PLATE ON .0625 DIA .250 FROM MATING END & REMAINDER GOLD FLASH ALL OVER .000050 MIN NICKEL. POSTS PLATED TIN .000100 MIN THICK PER MIL-T-10727 OVER NICKEL .000050 MIN THK PER QQ-N-290.

THIS DRAWING IS A CONTROLLED DOCUMENT.

DIMENSIONS: INCHES	TOLERANCES UNLESS OTHERWISE SPECIFIED:	DWN D. ERDMAN 4-29-88	Tyco Electronics Corporation Harrisburg, Pa. 17105-3608
	0 PLC ± - 1 PLC ± - 2 PLC ± - 3 PLC ± .005 4 PLC ± - ANGLES ± -	CHK R. STONE 4-29-88	
MATERIAL	FINISH	APVD -	NAME
		PRODUCT SPEC	RECEPTACLE ASSEMBLY, 160 POSITION, POSTED, M SERIES
		APPLICATION SPEC	SIZE CAGE CODE DRAWING NO RESTRICTED TO
		WEIGHT -	A2 00779 C=213521 -
		CUSTOMER DRAWING	SCALE 2:1 SHEET 1 OF 1 REV K