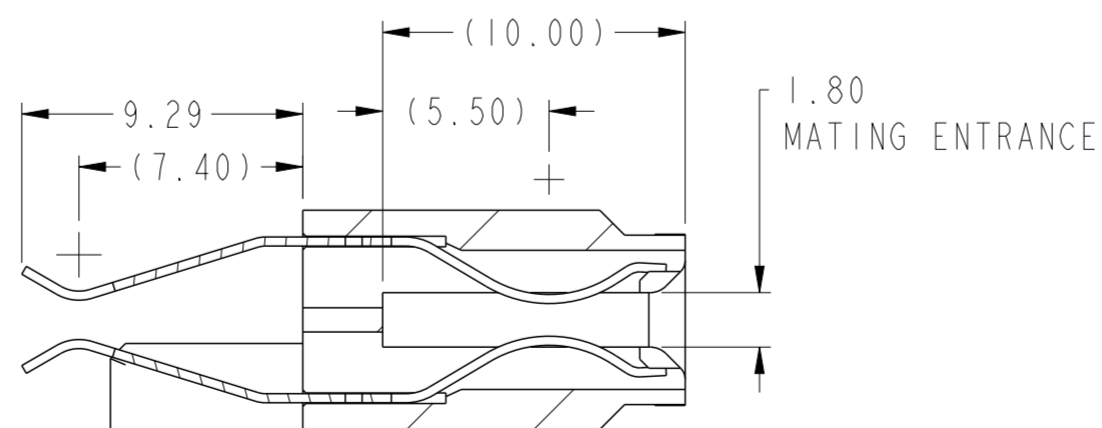


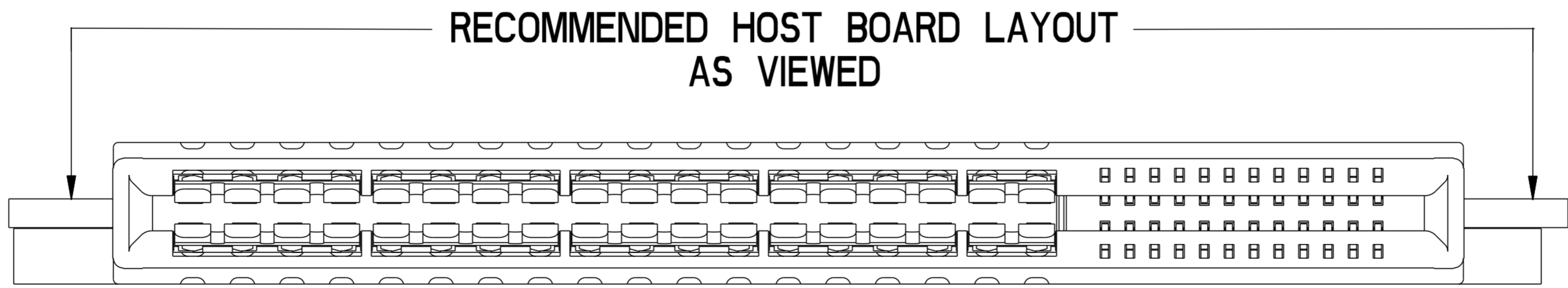
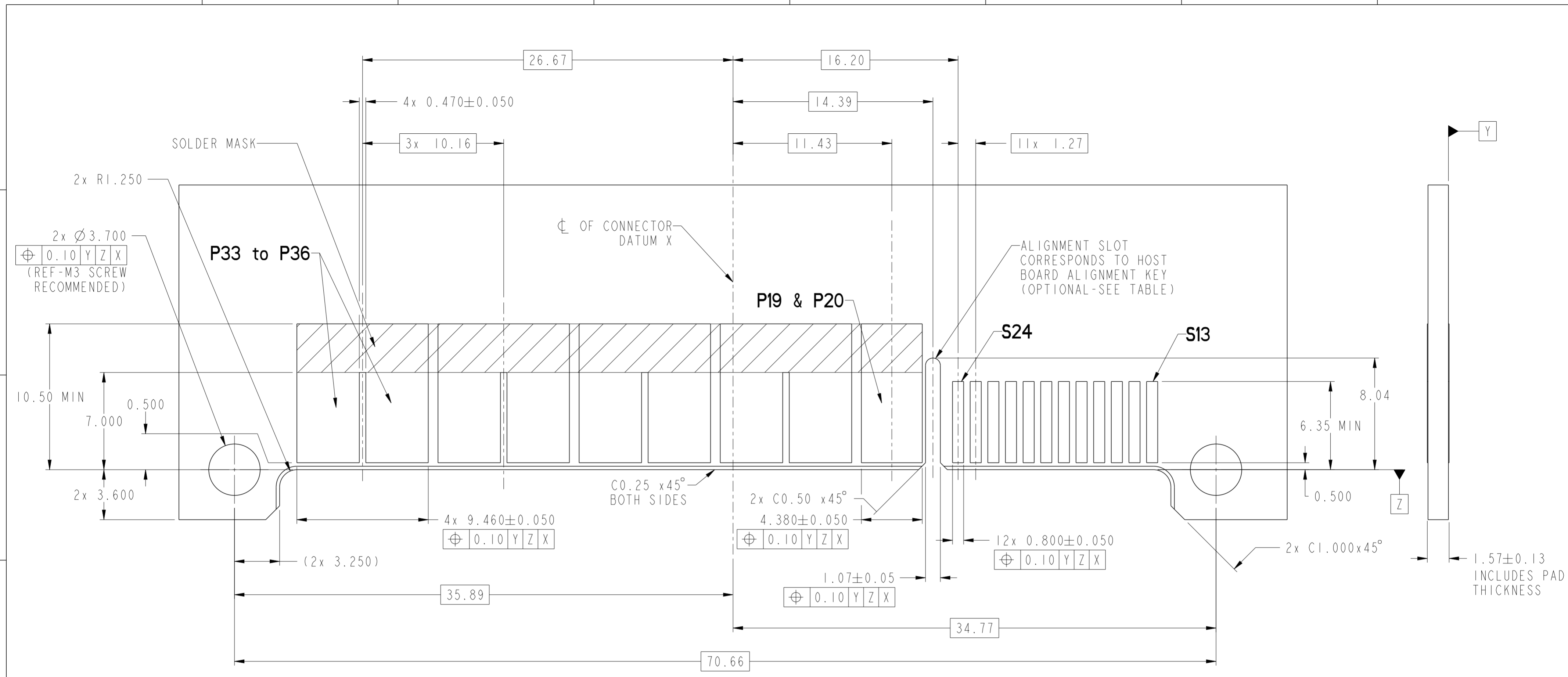
SECTION C-C



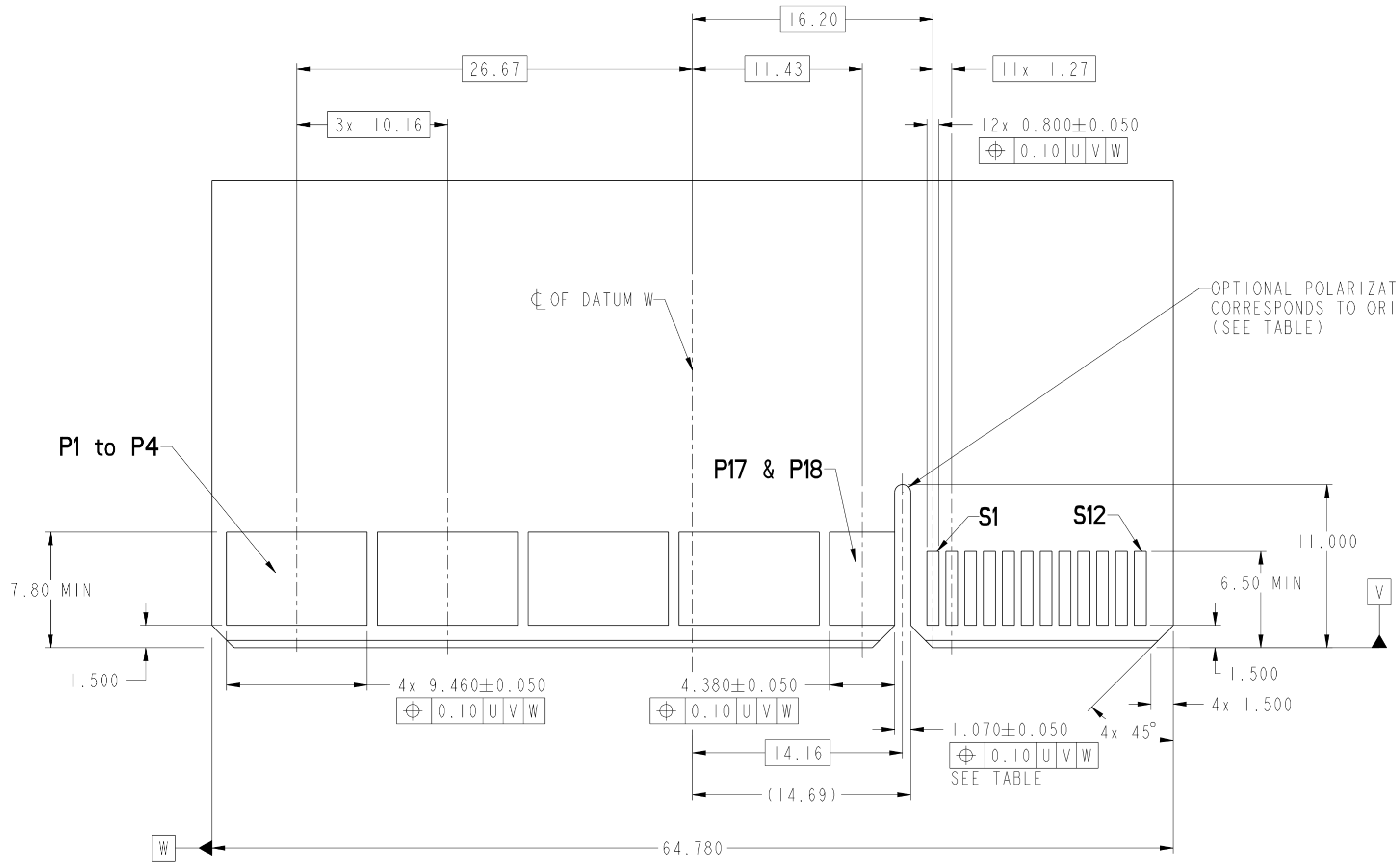
SECTION D-D

REV	ECN NO.	DR	DATE
A	---	JULIA	2013-03-19

spec ref	-	dr	Wei-Long Zhang	2012/05/11	projection	MM	size	A2	scale	4:1
tolerance std	ASME Y14.5	eng	Julia Wang	2013/03/20	chr	-	ecn no	-	rel level	Released
surface	✓	appr	Pei-Ming Zheng	2013/03/20	product family	CARD EDGE	title	HPCE-STRADDLE MT (36P-24S) (RECEPTACLE)	dwg no	10121048
ASME Y14.5	angular	0°	±2°	www.fci.com	cat. no.	-	Product - Customer Drw	sheet 1 of 5	rev	A

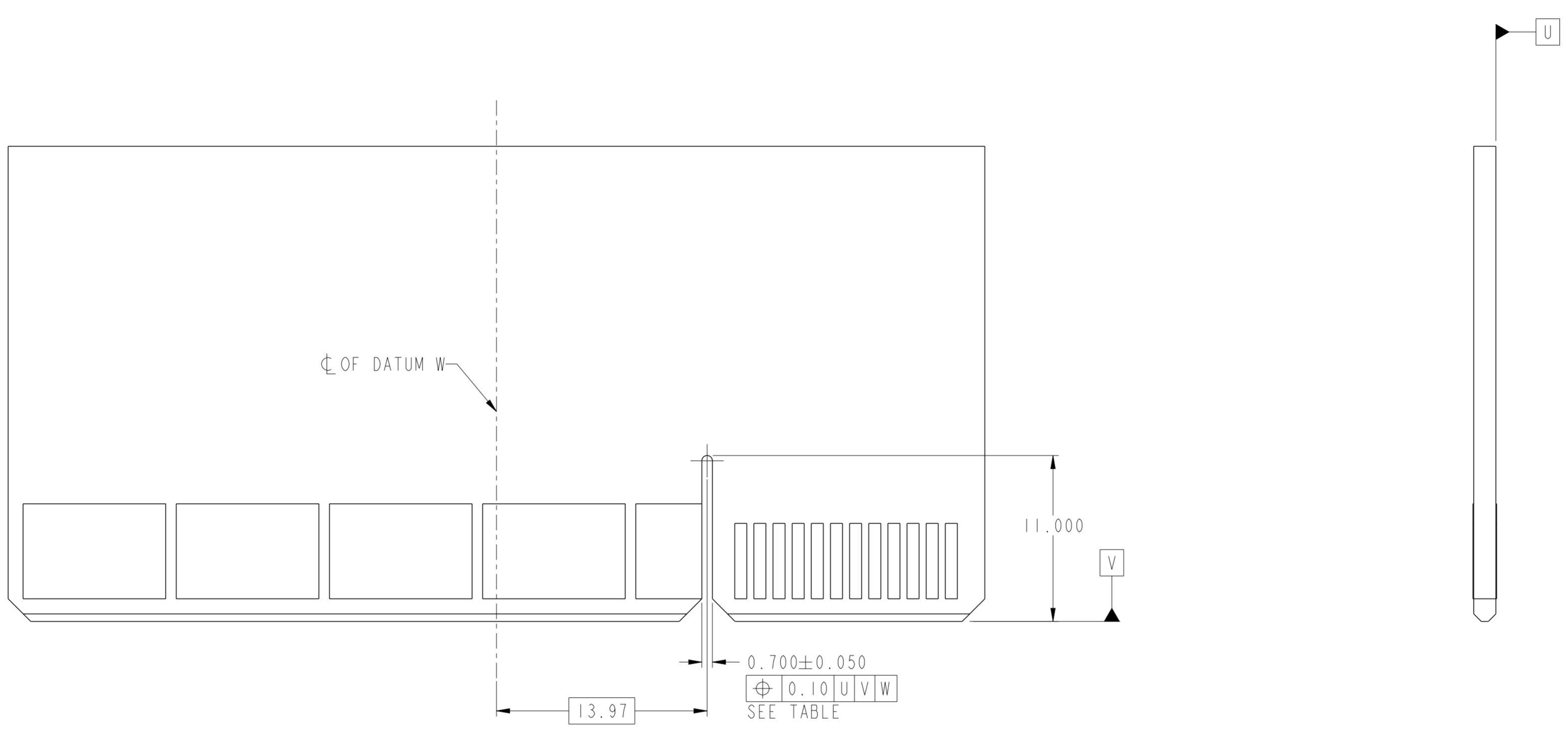


dr	Wei-Long Zhang	2012/05/11	projection	MM	size	A2	scale	4:1
eng	Julia Wang	2013/03/20			ecn no.	-	rel level	Released
chr	-	-			product family	CARD EDGE		
appr	Pei-Ming Zheng	2013/03/20			title	HPCE-STRADDLE MT (36P-24S)		rev
					dwg no.	10121048		A
www.fci.com			cat. no.		Product - Customer Drw		sheet 2 of 5	



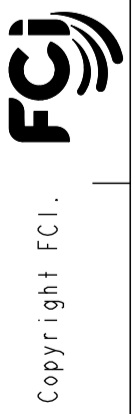
**RECOMMENDED MATING BOARD
FOOTPRINT - OPTION 1**

dr	Wei-Long Zhang	2012/05/11	projection	MM	size	A2	scale	4:1
eng	Julia Wang	2013/03/20		MM	ecn no	-	rel level	Released
chr	-	-						
appr	Pei-Ming Zheng	2013/03/20	product family	CARD EDGE				
			title	HPCE-STRADDLE MT (36P-24S) (RECEPTACLE)	dwg no	10121048	rev	A
www.fci.com			cat. no.	-	Product - Customer Drw	sheet 3 of 5		



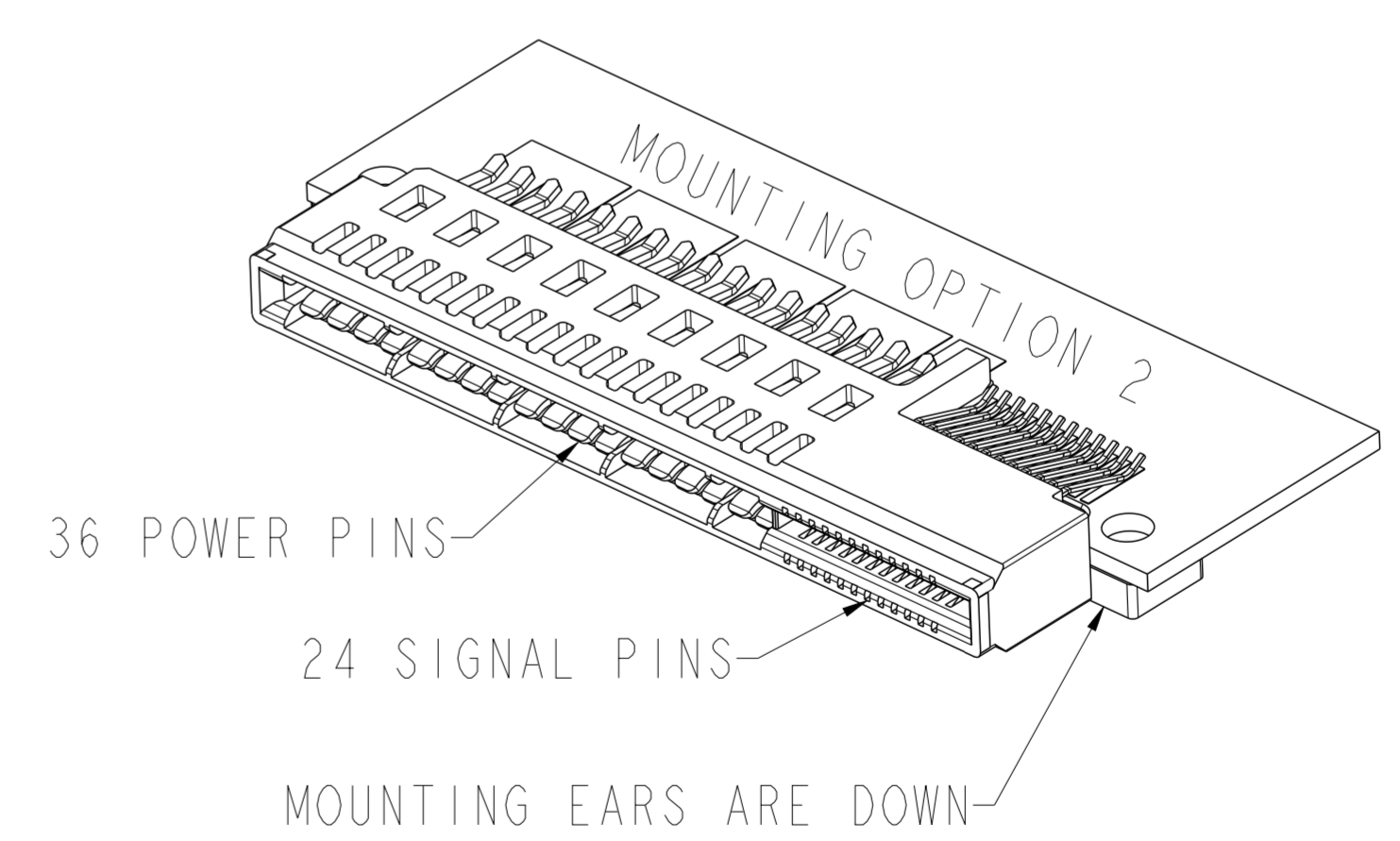
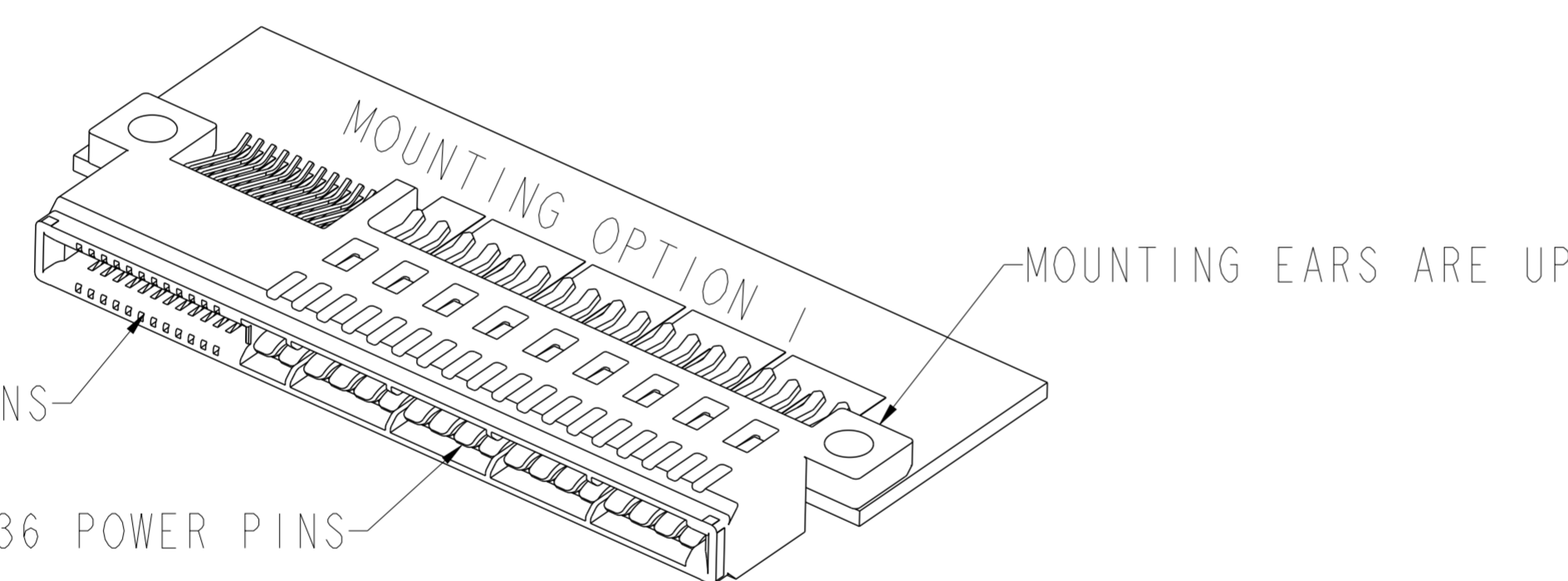
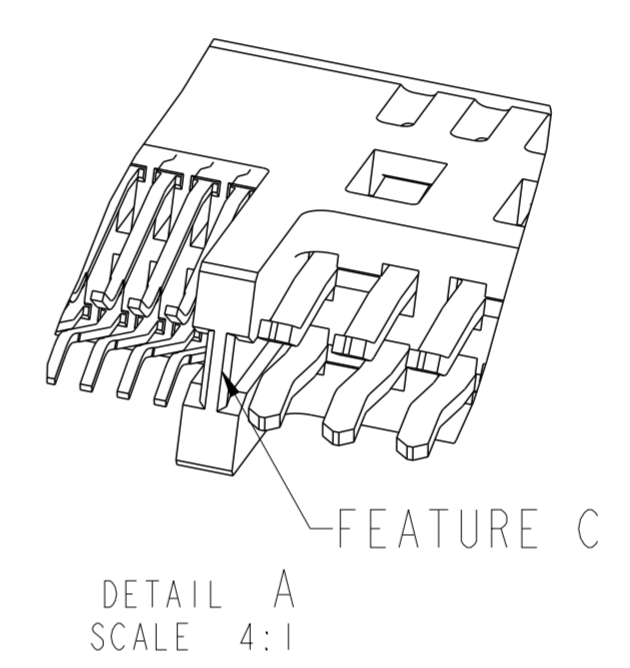
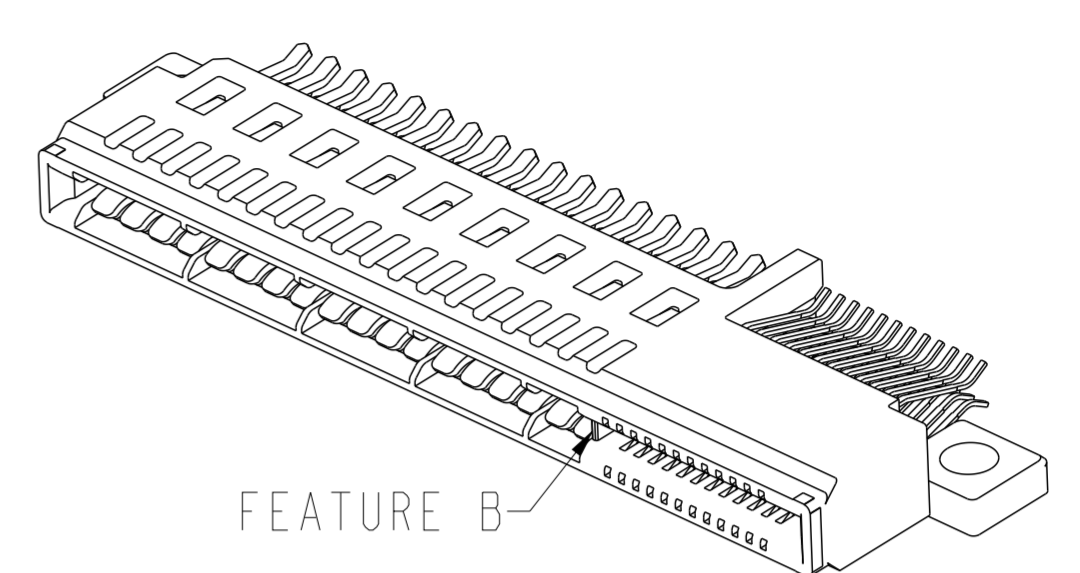
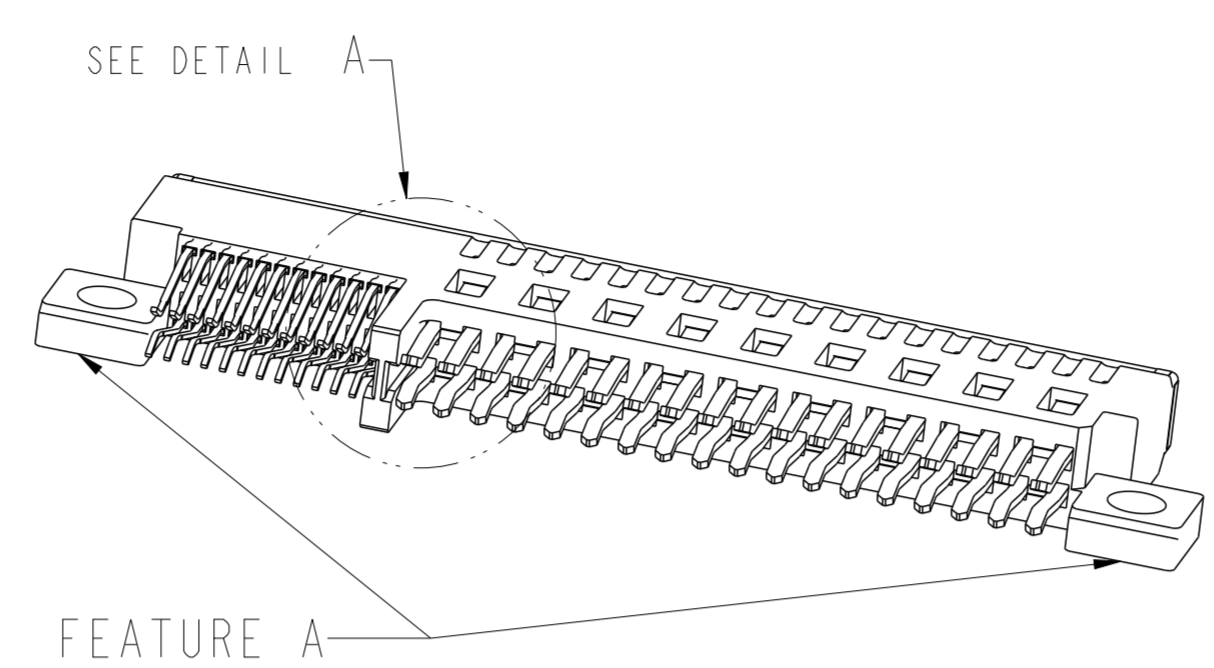
**RECOMMENDED MATING BOARD
FOOTPRINT - OPTION 2**

(ALL DIMENSIONS ARE SAME AS PAGE 3 EXCEPT ABOVE)



dr	Wei-Long Zhang	2012/05/11	projection	MM	size	A2	scale	1:1
eng	Julia Wang	2013/03/20			ecn no	-	rel level	Released
chr	-	-						
appr	Pei-Ming Zheng	2013/03/20	product family	-				
		title HPCE-STRADDLE MT (36P-24S) (RECEPTACLE)		dwg no 10121048	rev A			
www.fci.com		cat. no.	-		Product - Customer Drw		sheet 4 of 5	

PART NUMBER	FEATURE C HOST BOARD ALIGNMENT KEY (SEE NOTE 8)	FEATURE A MOUNTING EARS	FEATURE B FRONT POLARIZATION KEY
10121048-001LF	YES	YES	NO
10121048-002LF		YES	YES
10121048-003LF		NO	NO
10121048-004LF		NO	YES
10121048-005LF	NO	YES	NO
10121048-006LF		YES	YES
10121048-007LF		NO	NO
10121048-008LF		NO	YES



- NOTES:
- CONNECTOR MATERIALS:
HOUSING: HIGH TEMPERATURE THERMAL PLASTIC, BLACK
UL 94V-0 COMPLIANT
CONTACTS: HIGH PERFORMANCE COPPER ALLOY.
 - CONTACT FINISH REF. GS-12-604 SECTION 5.2.
 - PRODUCT SPECIFICATION: GS-12-604.
 - APPLICATION SPECIFICATION: GS-20-128.
 - PRODUCT MARKING (FCI - PART NUMBER & DATE CODE) ON HOUSING IN AREA SHOWN.
 - PACKAGING MEETS FCI SPECIFICATION GS-14-937.
 - HOUSING COMPONENT WILL WITHSTAND EXPOSURE TO 260°C PEAK TEMPERATURE FOR 60 SECONDS IN A CONVECTION, INFRA-RED, OR VAPOR PHASE REFLOW OVEN.

dr	Wei-Long Zhang	2012/05/11	projection	MM	size	A2	scale	4:1
eng	Julia Wang	2013/03/20			ecn no	-	rel level	Released
chr	-	-			product family	CARD EDGE		
appr	Pei-Ming Zheng	2013/03/20			title	HPCE-STRADDLE MT (36P-24S)		rev
			www.fci.com		cat. no.	-	Product - Customer Drw	sheet 5 of 5

Copyright FCI. FCI