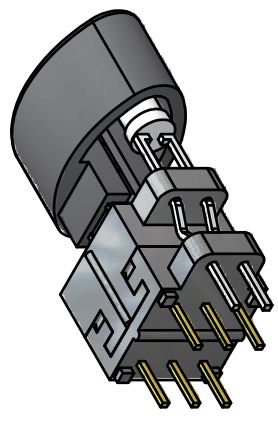
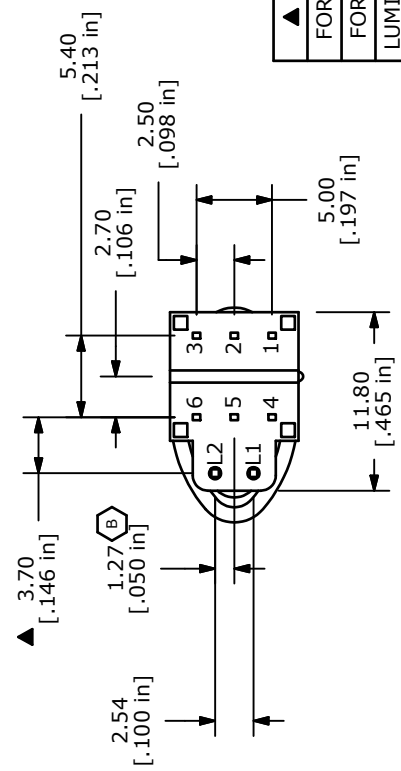
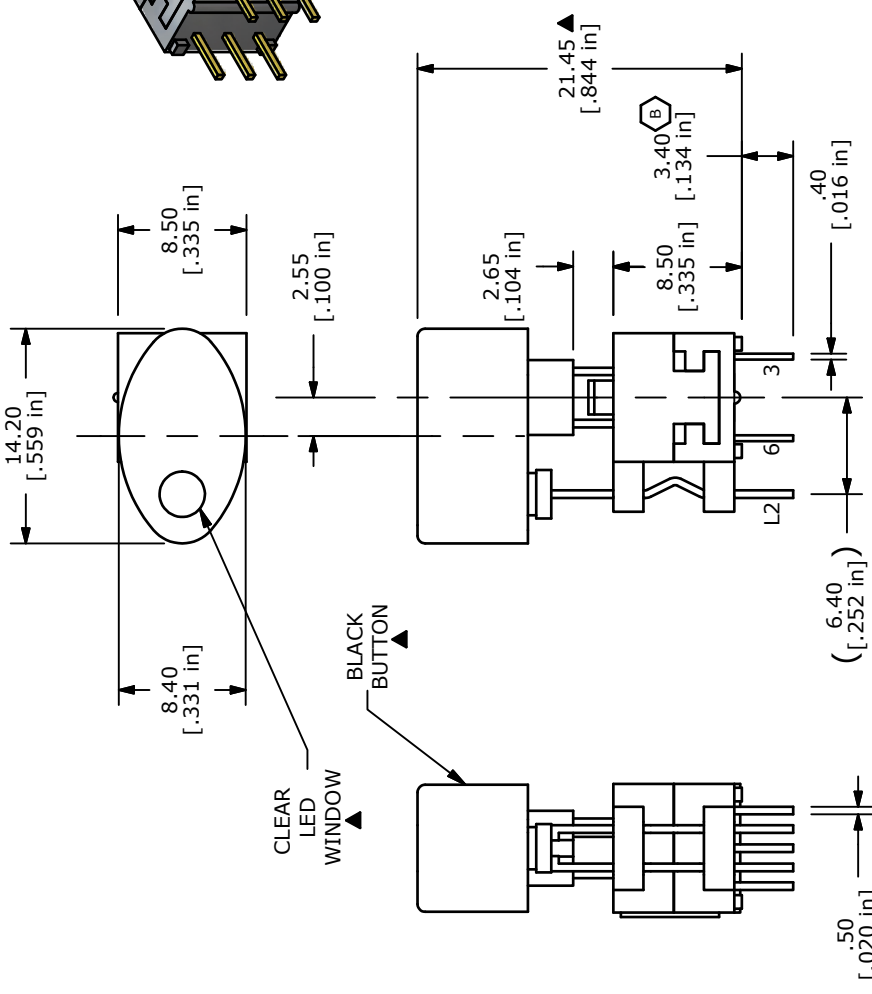


- NOTES:
1. ALL DIMENSIONS IN MM [INCH]
 2. GENERAL TOLERANCE: X.X ± 0.4
X.XX ± 0.25
 3. TERMINAL NUMBERS FOR REF. ONLY
 4. CONTACT RATING: 0.1A @ 30VDC
 5. TRAVEL: FULL = 2.5 ± 0.3; LOCK = 1.5 ± 0.3mm'S
 6. OPERATING FORCE: 250 ± 100gf
 7. ELECTRICAL LIFE: 10,000 CYCLES
 8. ▲ DENOTES CRITICAL PARAMETER
 9. CONTACT MATERIAL: SILVER
 10. CONTACT RESISTANCE: 50m OHM MAX.
 11. OPERATING TEMPERATURE: -20c TO +70c
 12. INSULATION RESISTANCE: 100M OHMS MIN.
 - ▲ 13. LED COLOR: BLUE
 14. 2002/95/EC (RoHS) COMPLIANT AND HALOGEN FREE



▲ LED SPECS	UNITS	BLUE
FORWARD CURRENT	mA	20
FORWARD VOLTAGE	V	3.5-4.0
LUMINOUS INTENSITY	MCD	1,500



TITLE TL2205EEBPBB

B	19554	DIM CHANGES & UPDATE	12/30/10	BGL
A	18806	New-Release	1/20/10	rc
REV	PCR NO	DESCRIPTION	DATE	BY

SCALE	2:1	DATE	1/20/2010	DR	rc	DWG	B401012	REV	B
-------	-----	------	-----------	----	----	-----	---------	-----	---

THE INFORMATION CONTAINED IN THIS DOCUMENT IS PROPRIETARY TO E-SWITCH AND IS NOT TO BE COPIED OR TRANSFERRED