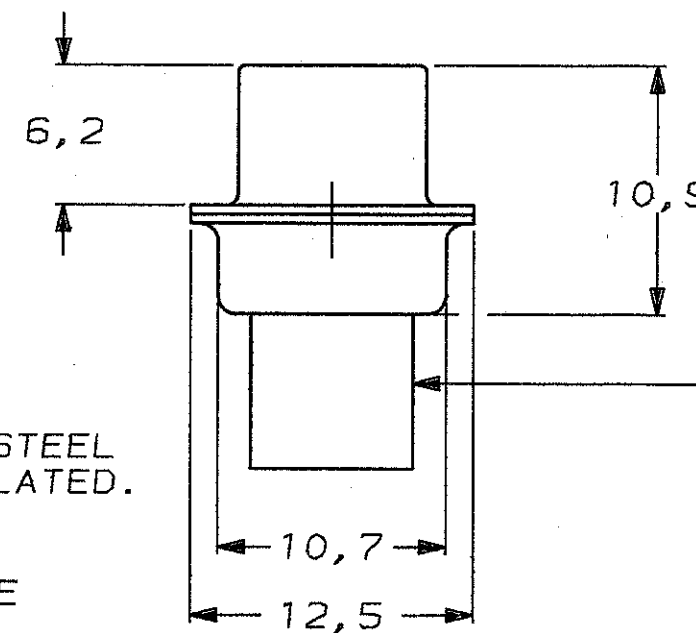
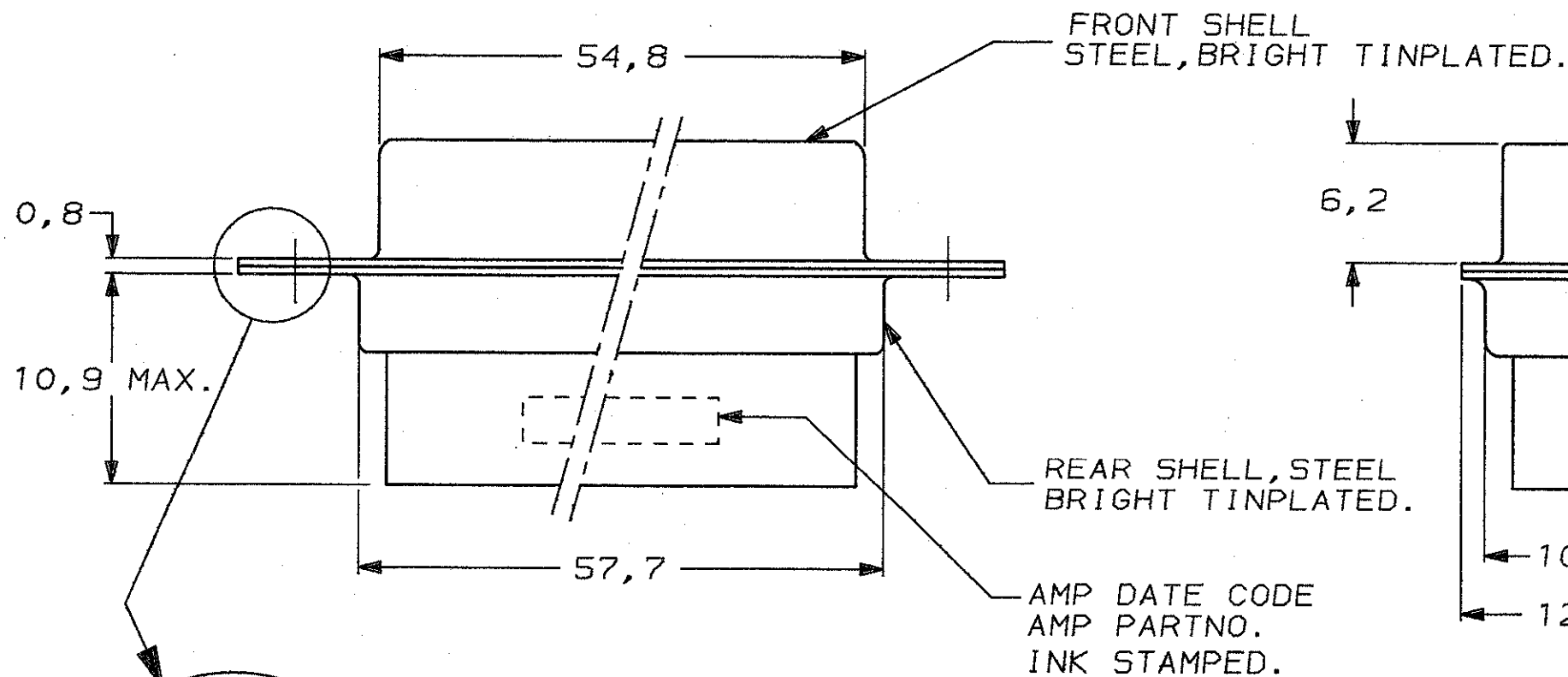


DO NOT SCALE
DIMENSIONS IN mm

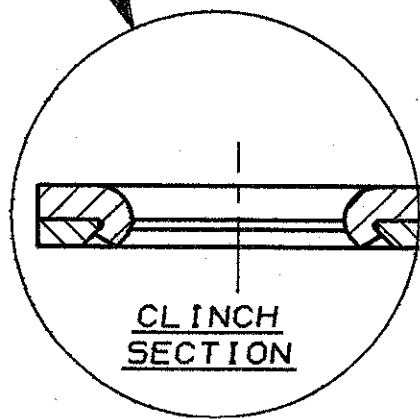
METRIC



- NOTES:**
- 1 THIS RECEPTACLE ACCEPTS SIZE 22 REC. CONTACTS.
 - 2 RETENTION TINES ARE AN INTEGRAL PART OF INSERT.
 - 3 CONTACT INSERTION/REMOVAL TOOL AMP P.N. 91285-1 IS RECOMMENDED FOR USE WITH THESE CONNECTORS:



INSERTS: NYLON
GLASS-FILLED
SELF-EXTINGUISHING
COLOR: BLACK



SEE DRAWING		SEE DRAWING		216167-1	
FINISH		MATERIAL		PARTNUMBER	
CUSTOMER DRAWING		AMP		AMP-HOLLAND B.V.	
				's-Hertogenbosch, The Netherlands.	
FOR REFERENCE ONLY WILL NOT BE UPDATED		THIS DRAWING IS UNPUBLISHED		RELEASED FOR PRODUCTION	
		© COPYRIGHT 19- BY AMP-HOLLAND B.V.		ALL INTERNATIONAL RIGHTS RESERVED.	
		AMP PRODUCTS MAY BE COVERED BY U.S. AND FOREIGN PATENTS AND/OR PATENTS PENDING.			
DR.	DATE	WIRE RANGE	NAME	REV. DATE	
J. V. D. HEIJDEN.	07-12-88	-	HDP-22 REC. CONNECTOR, SIZE 4, (62 POSITION)	07 12 88	
CHK.	DATE	INSUL. RANGE			
<i>C. Tilburg</i>	2-1-89	-			
APP.	DATE	SIZE	SHEET	DWG. No.	REV. LTR.
-	4-1-89	A3	1 OF 1	C-216167	0

8 7 6 5 4 3 2 1