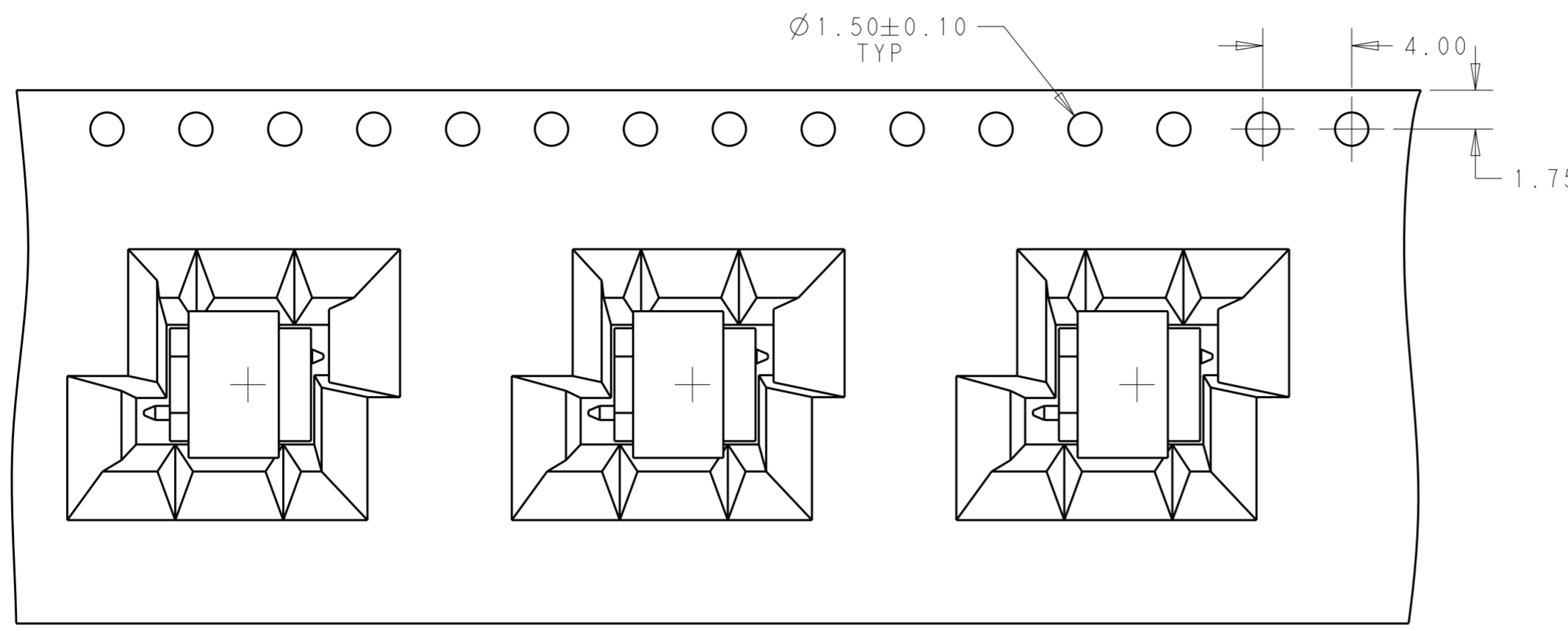
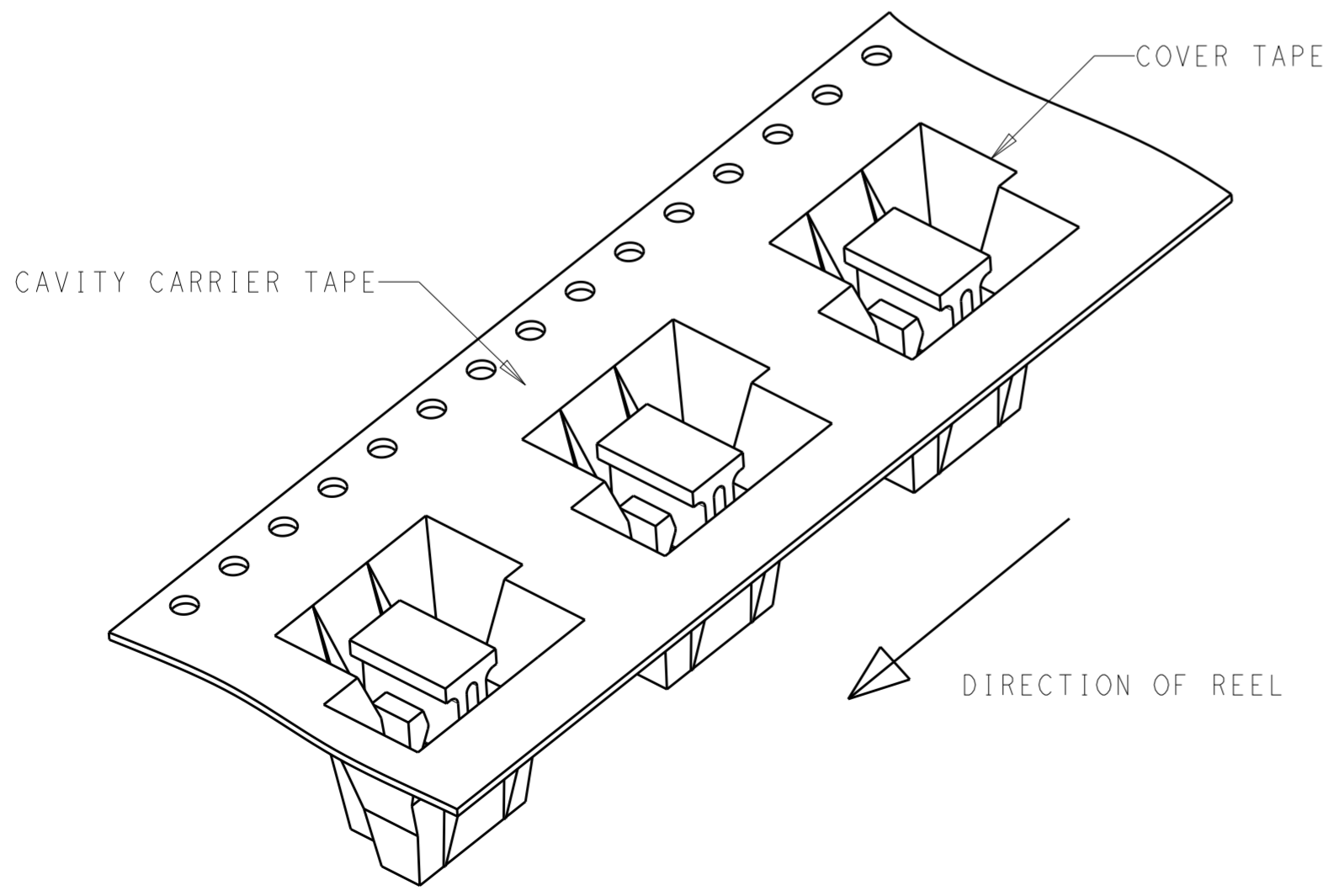
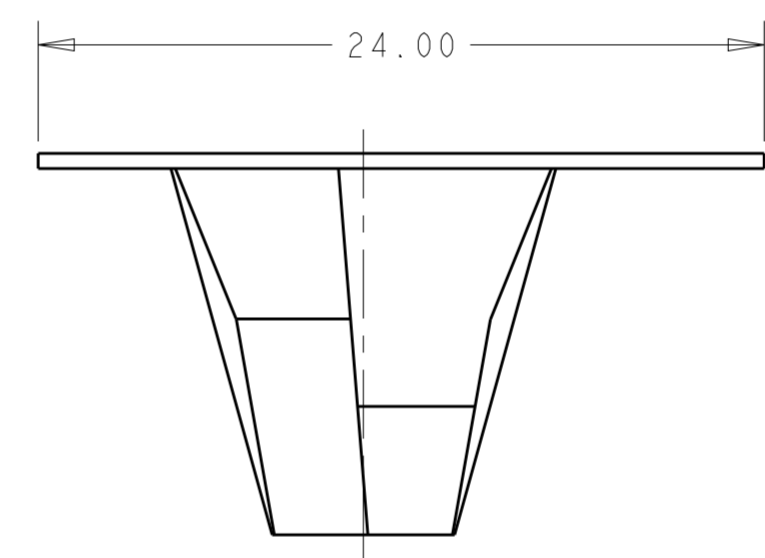
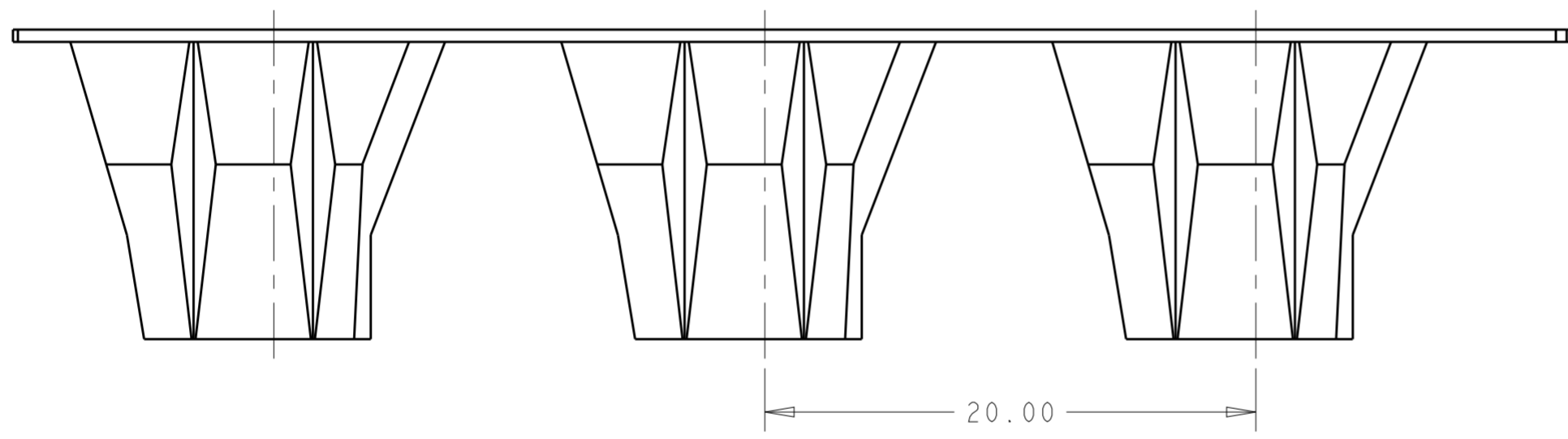


THIS DRAWING IS UNPUBLISHED. RELEASED FOR PUBLICATION 20  
 © COPYRIGHT 20 BY - ALL RIGHTS RESERVED.

REVISIONS					
P	LTR	DESCRIPTION	DATE	DWN	APVD
	A1	REVISED PER ECR-16-000888	21JAN2016	N.L	D.Z



- 1 MATERIAL:  
HOUSING- THERMOPLASTIC, UL94V-0, BLACK  
CONTACT- COPPER ALLOY  
CAVITY CARRIER TAPE- BLACK CONDUCTIVE PLOYCARBONATE
- 2 FINISH:  
CONTACT - TIN PLATE FOR -3, GOLD PLATE FOR 1--2,1--3.
- 3 POSTS SOLDERTAILS MUST COMPLY WITH TE SOLDERABILITY SPEC 109-11-12.
- 4 HEADER ARE SUPPLIED ON A 330.2mm DIAMETER REEL WITH 225 PARTS PER REEL. THE CAVITY CARRIER TAPE HOLDS 1 PART PER POKCKET, ORIENTED AS SHOW.

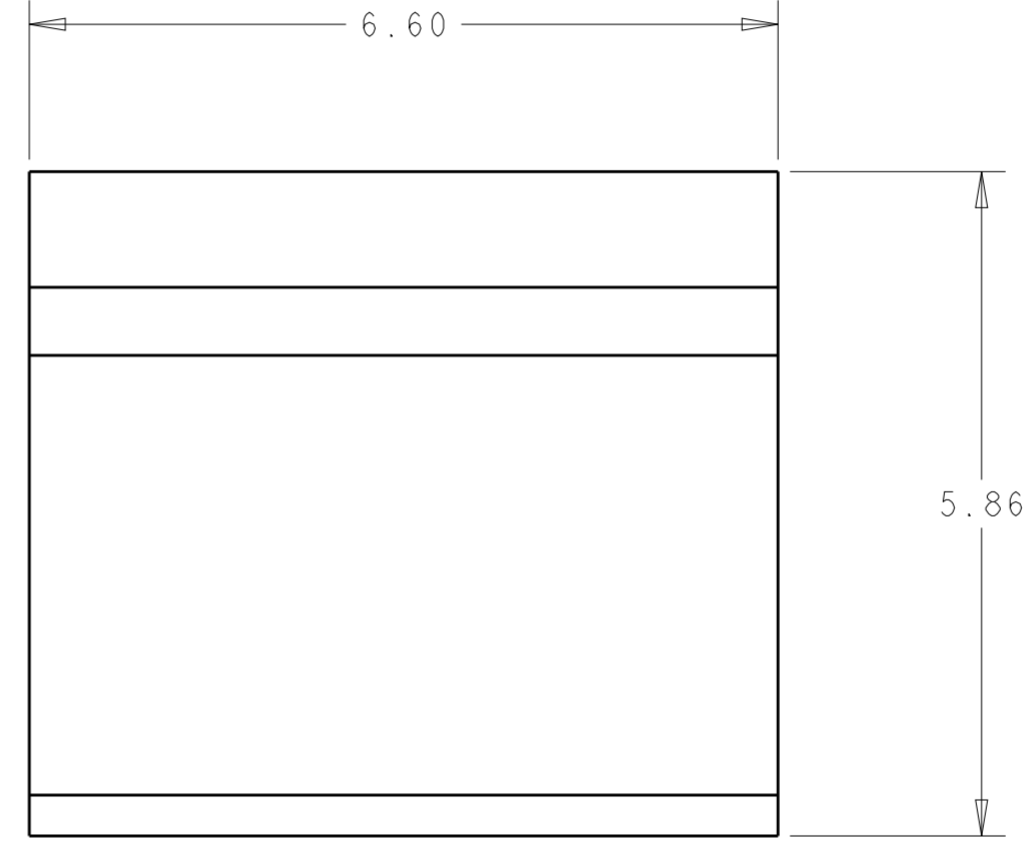
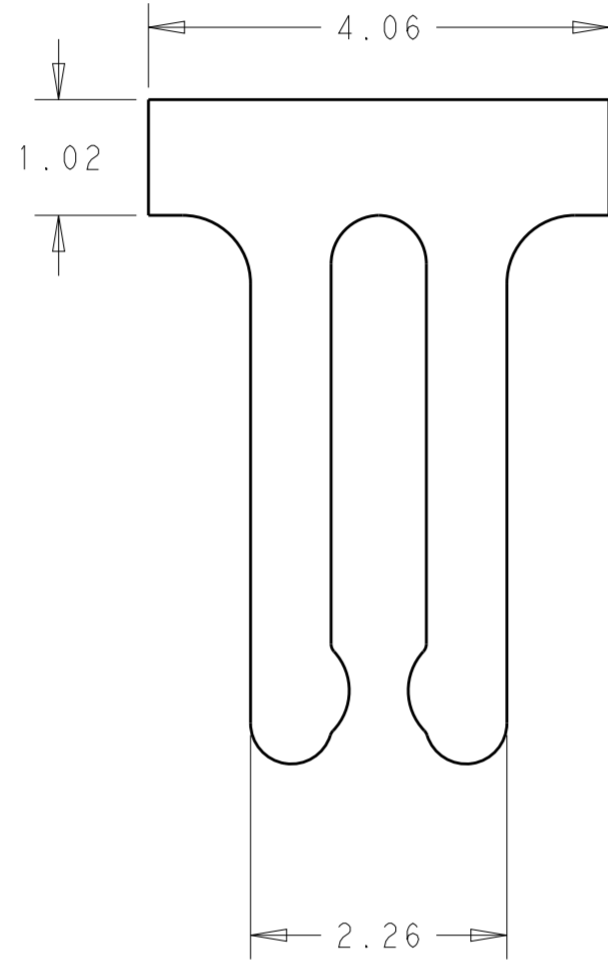


972366-3	1706504-3	147117-1	3	3-647167-3	1-2232980-3
972366-3	1706504-2	147117-1	2	3-647167-2	1-2232980-2
972366-3	1706504-3	147117-1	3	3-647166-3	2232980-3
COVER TAPE	CAVITY CARRIER COVER	PICK AND PLACE COVER	POSITION	HEADER ASSEMBLY	PART NUMBER


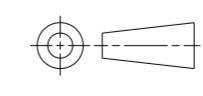
THIS DRAWING IS A CONTROLLED DOCUMENT.		DWN P.Q 30 JUN 2015	TE Connectivity NAME MTA100 HDR ASSY SURFACE MOUNT, FRICTION LOCK, .025 SQUARE STRAIGHT POST SIZE CAGE CODE DRAWING NO RESTRICTED TO A200779 C-2232980 SCALE N/A SHEET 1 OF 2 REV A1		
DIMENSIONS: MM		CHK D.7 30 JUN 2015			
TOLERANCES UNLESS OTHERWISE SPECIFIED:		APVD D.7 30 JUN 2015			
0 PLC ± 1 PLC ± 2 PLC ±0.20 3 PLC ± 4 PLC ± ANGLES ±1° FINISH		PRODUCT SPEC 108-1050 APPLICATION SPEC 114-1019 WEIGHT -			
MATERIAL 1	FINISH 2	CUSTOMER DRAWING			

THIS DRAWING IS UNPUBLISHED. RELEASED FOR PUBLICATION 20  
 © COPYRIGHT 20 BY - ALL RIGHTS RESERVED.

REVISIONS				
P	LTR	DESCRIPTION	DATE	APVD
-		SEE SHEET 1	-	-



CAP FOR HEADER

THIS DRAWING IS A CONTROLLED DOCUMENT.		DWN P. Q	30 JUN 2015	 TE Connectivity	
DIMENSIONS: MM		CHK D. 7	30 JUN 2015		
TOLERANCES UNLESS OTHERWISE SPECIFIED: 0 PLC ± 1 PLC ± 2 PLC ±0.20 3 PLC ± 4 PLC ± ANGLES ±1° FINISH		APVD D. 7	30 JUN 2015		
		PRODUCT SPEC 108-1050 APPLICATION SPEC 114-1019 WEIGHT -		NAME MTA-100 HDR ASSEMBLY, SURFACE MOUNT, FRICTION LOCK, .025 SQUARE STRAIGHT POST SIZE CAGE CODE DRAWING NO RESTRICTED TO A200779 C-2232980 -	
MATERIAL 1		2		CUSTOMER DRAWING SCALE N/A SHEET 2 OF 2 REV A1	