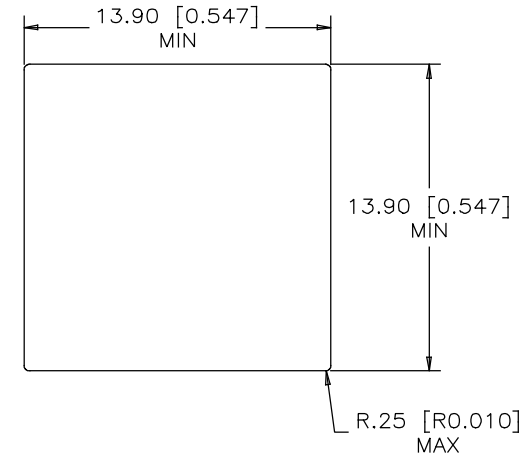
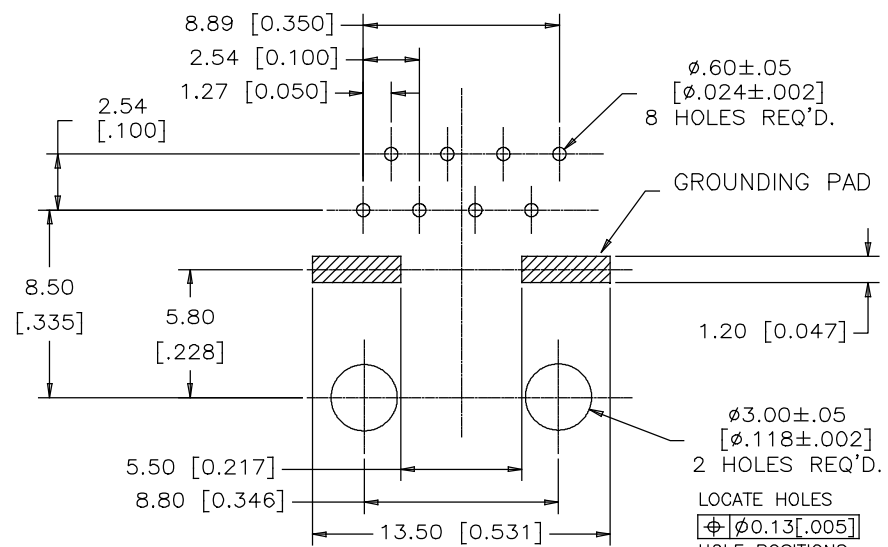


REVISIONS				
SYM	ZONE	ECN, ERN NO.	DATE	APPRD.
E		POPROSAL	OCT 21/08	L.CHAN
F		POPROSAL	NOV 7/08	L.CHAN
G		POPROSAL	DEC 1/08	L.CHAN
H		REVISED DRAWING	DEC 11/13	L.CHAN



RECOMMENDED PANEL CUTOUT



RECOMMENDED P.C.B LAYOUT  
(COMPONENT SIDE OF BOARD)

- 1. MATERIALS:**  
 PLASTIC HOUSING: ENGINEERING THERMOPLASTIC  
 FLAMMABILITY RATING UL94V-0  
 COLOR: BLACK
- CONTACTS: PHOSPHOR BRONZE  
 PLATING: GOLD PLATED PER PART NUMBER OPTION  
 ON MATING SURFACE  
 50 μ" [1.27 MICRONS] MIN. NICKEL UNDERPLATE.  
 100 μ" [2.54 MICRONS] MIN. TIN-LEAD  
 ON CONTACT TAILS.
- SHIELD: STAINLESS STEEL.

2. THE REMOVAL FORCE OF PRESS FIT CONTACT SHOULD BE IN RANGE OF 10N PER PIN.

PART NUMBER: RJE56-188-1X10

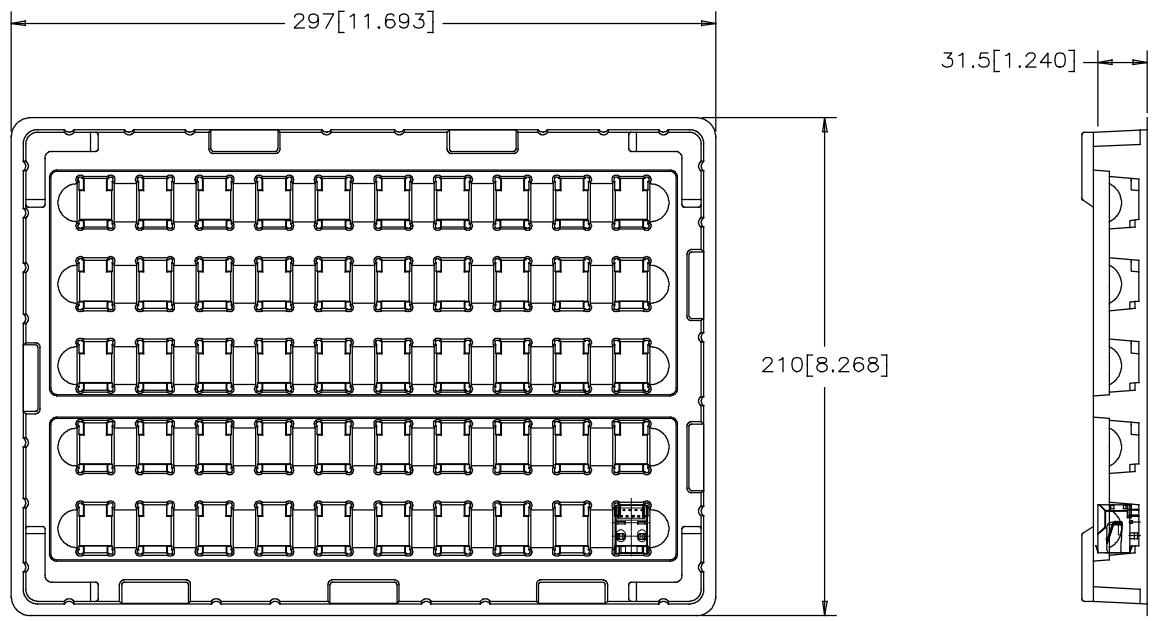
- GOLD PLATING**  
 1 = 6 MICROINCH  
 2 = 15 MICROINCH  
 3 = 30 MICROINCH  
 4 = 50 MICROINCH

DRAWN	J.OUYANG	DATE	OCT 5/07
DESIGNED			
CHECKED	L.CHAN	DATE	OCT 5/07
I. E. APPRD.	JEFF.S	DATE	OCT 5/07
Q. A. APPRD.	BORIS	DATE	OCT 5/07
DWG. APPRD.			
ENG. REL. NO.	ECN E07361		
REF.	EAR #A070910		
DIMENSIONS ARE IN		CODE ID. NO.	
mm [INCH]		03554	

Amphenol Canada Corp.	
TITLE	RJE56 SERIES, 8 POSITION, 8 CONTACTS, WITH SHIELD
DWG	DRAWING NO.
	P-RJE56-188-1X10
REV.	H
SCALE	WT. _____ SURF. _____ SHEET 1 OF 2

THIS DOCUMENT CONTAINS PROPRIETARY INFORMATION AND SUCH INFORMATION MAY NOT BE DISCLOSED TO OTHERS FOR ANY PURPOSE OR USED FOR MANUFACTURING PURPOSES WITHOUT WRITTEN PERMISSION FROM AMPHENOL CANADA CORP.

E		F		
REVISIONS				
SYM	ZONE	ECN, ERN NO.	DATE	APPRD.
E		POPROSAL	OCT 21/08	L.CHAN
F		POPROSAL	NOV 7/08	L.CHAN
G		POPROSAL	DEC 1/08	L.CHAN
H		REVISED DRAWING	DEC 11/13	L.CHAN



PACKAGING NOTES:

- ONE TRAY SHOULD HOLD 50 CONNECTORS.
- A FULLY LOADED CARTON SHOULD CONTAIN 10 TRAY (500 PCS) OF CONNECTORS.

THIS DOCUMENT CONTAINS PROPRIETARY INFORMATION AND SUCH INFORMATION MAY NOT BE DISCLOSED TO OTHERS FOR ANY PURPOSE OR USED FOR MANUFACTURING PURPOSES WITHOUT WRITTEN PERMISSION FROM AMPHENOL CANADA CORP.

DRAWN	J.OUYANG	DATE	OCT 5/07	<b>Amphenol Canada Corp.</b> TITLE RJE56 SERIES, 8 POSITION, 8 CONTACTS, WITH SHIELD			
DESIGNED							
CHECKED	L.CHAN	DATE	OCT 5/07				
I. E. APPRD.	JEFF.S	DATE	OCT 5/07				
Q. A. APPRD.	BORIS	DATE	OCT 5/07				
DWG. APPRD.				DWG	DRAWING NO.	REV.	
ENG. REL. NO.	ECN E07361				P-RJE56-188-1X10	H	
REF.	EAR #A070910			SCALE	WT.	SURF.	SHEET 2 OF 2
DIMENSIONS ARE IN		CODE ID. NO.	03554				
mm [INCH]							