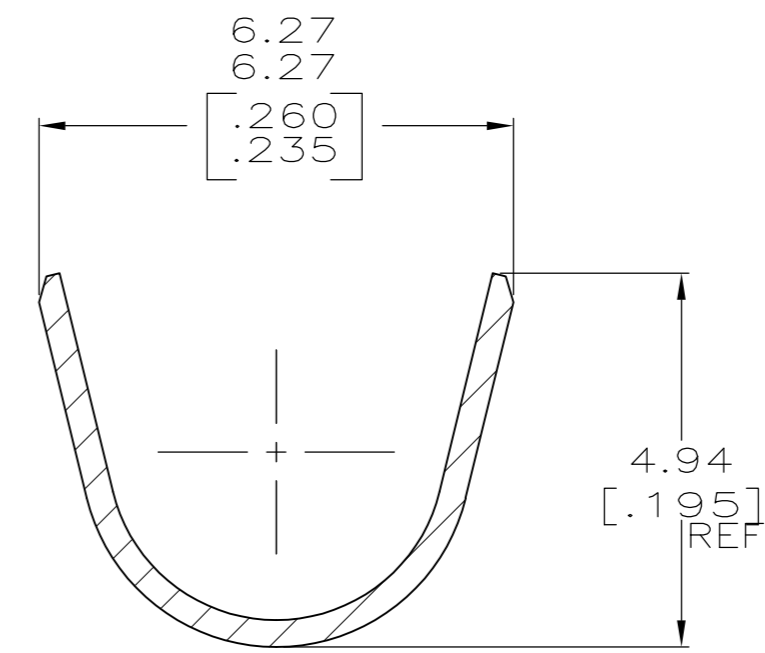
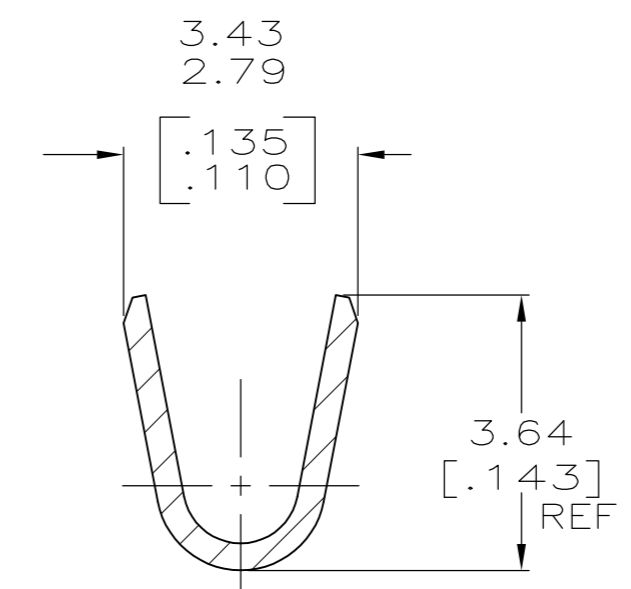
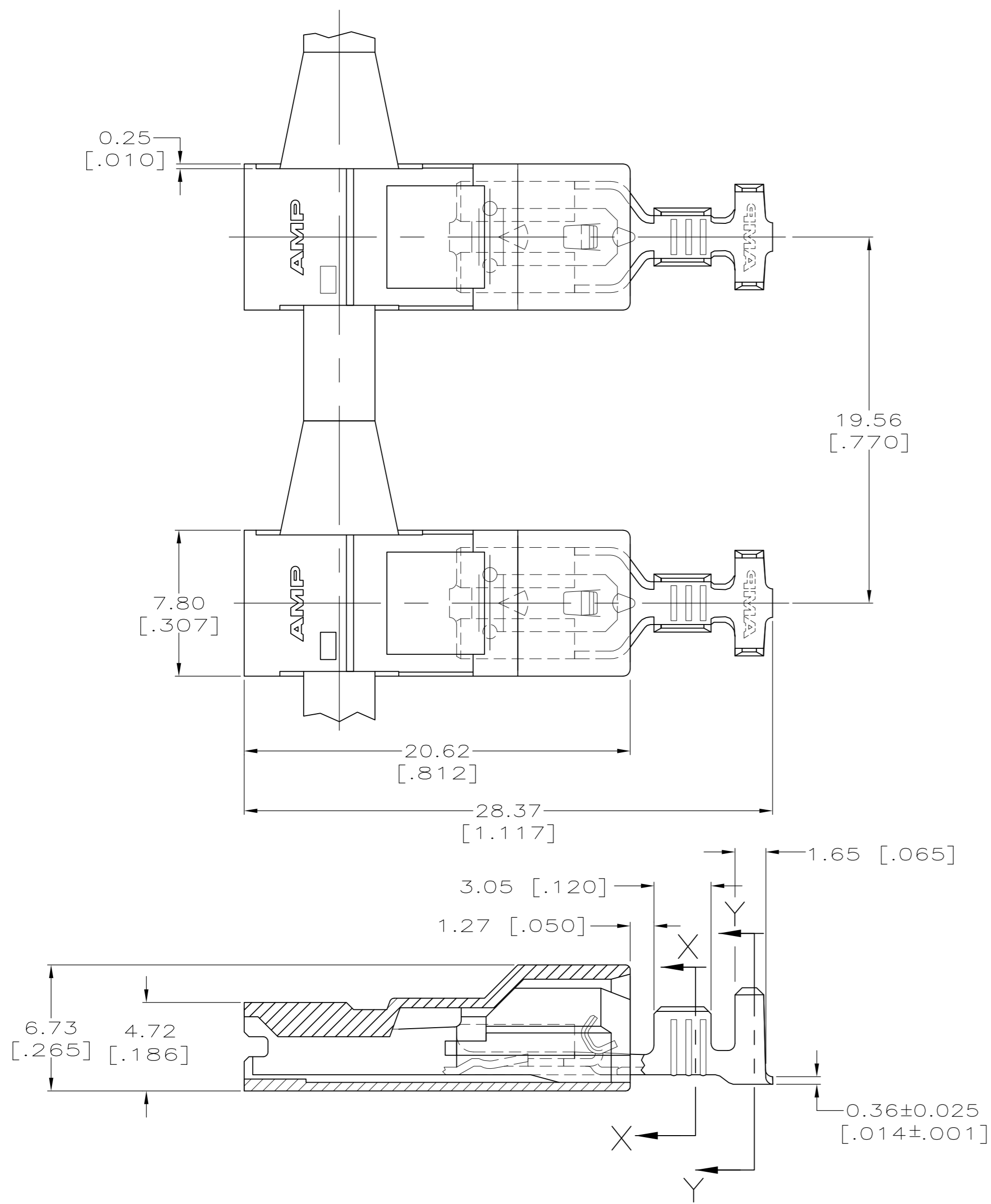


THIS DRAWING IS UNPUBLISHED. RELEASED FOR PUBLICATION
 © COPYRIGHT - By - ALL RIGHTS RESERVED.

LOC		DIST		REVISIONS			
P	LTR	DESCRIPTION		DATE	DWN	APVD	
AF	50	F		REVISED PER ECR-12-013219	08JAN13	KH	KR

- 1 MATING TAB THK TO BE 0.51 ± 0.025 $[\pm 0.020 \pm 0.001]$.
- ② TIN PLATE 0.001016 $[\pm 0.000040]$ MIN THK.
- 3 WIRE SIZE IS $[\#18-\#14]$ AWG.
- 4 INSULATION RANGE IS $2.79-4.57$ $[\pm 0.110-\pm 0.180]$ DIA.
 $2.79-3.56$ $[\pm 0.110-\pm 0.140]$ DIA - CRIMP WIDTH 4.57 $[\pm 0.180]$, F TYPE
 $3.56-4.57$ $[\pm 0.140-\pm 0.180]$ DIA - CRIMP WIDTH 4.57 $[\pm 0.180]$, O TYPE



6/6 V0 NYLON, NATURAL	521212-2
4/6 V2 NYLON (150° C) BLACK	521212-1
MATERIAL	PART NO.

THIS DRAWING IS A CONTROLLED DOCUMENT.		DWN	JR RUTH	01APR99	 TE Connectivity
DIMENSIONS: mm [INCHES]		CHK	MS FEHER	01APR99	
TOLERANCES UNLESS OTHERWISE SPECIFIED:		APVD	J HUMMEL	01APR99	
0 PLC \pm - 1 PLC \pm - 2 PLC ± 0.25 $[\pm 0.010]$ 3 PLC \pm - 4 PLC \pm - ANGLES \pm -		PRODUCT SPEC	NAME		
MATERIAL		APPLICATION SPEC	ASSEMBLY, RECEPT, POSI-LOCK, ULTRA-POD, 4.75 $[\pm 0.187]$ SERIES		RESTRICTED TO
TERMINAL - BRASS HOUSING - SEE TABLE		FINISH	WEIGHT	-	SIZE
TERMINAL - TIN HOUSING - SEE TABLE		SCALE	A2 00779 C=521212		CAGE CODE
CUSTOMER DRAWING		SHEET	1 of 1		DRAWING NO
		REV	F		