

**NOTES:**

1. COMPATIBLE WITH MOLEX PT 90325, 90814, 90816.
2. USE WITH CABLES 28AWG STD, 26AWG STD, AND 26AWG (69 STRANDS) SUPERFLEX.
3. TERMINATION SPECIFICATION: ES-99033-0001.
4. PRODUCT SPECIFICATION: PS-99020-0011
5. PACKAGING SPEC: PK-90327-001

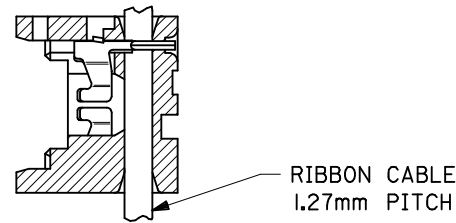
90327- \* 3 \* \*  
 0= 2um PRE TIN ASSY  
 3= 0.6um PdNi ASSY  
 SEE CONTACT PLATING NOTE  
 04 TO 26 = CCT SIZE, 51 TO 98  
 = ASSY ON REELS, SEE CHART.  
 COLOUR WHITE

**HOUSING**

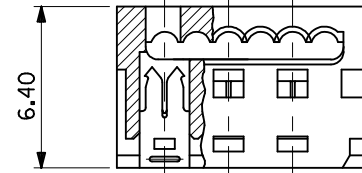
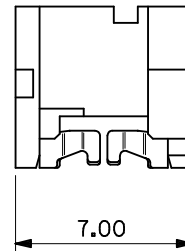
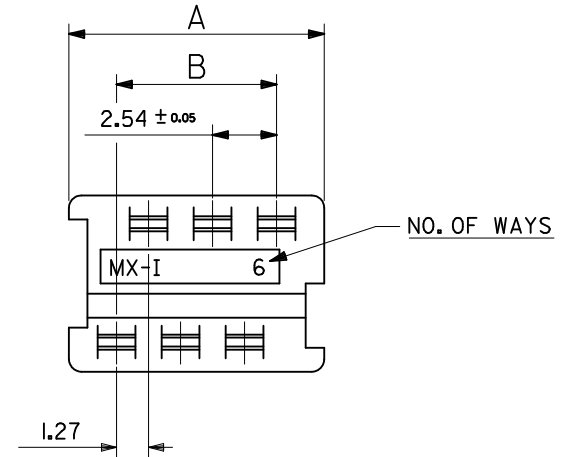
MATL: POLYESTER RATED AT UL 94 V-0,  
 COLOUR WHITE.

**IDT CONTACT**

MATL. PHOS BRONZE 0.17 THK HV 180-200  
 PLATING. TIN: 2-4um PURE TIN  
 PLATING. PALLADIUM NICKEL (PdNi): 1.3um MIN. NICKEL UNDERPLATE  
 UNDER 0.6um SELECTIVE PdNi UNDER 0.05um GOLD FLASH



SECTION SHOWING  
 ASSY AFTER TERMINATION  
 SEE NOTE 3



90327 - *326	26	35.53	31.75
↑ - *324	24	32.99	29.21
- *322	22	30.45	26.67
- *320	20	27.91	24.13
- *318	18	25.37	21.59
- *316	16	22.83	19.05
- *314	14	20.29	16.51
- *312	12	17.75	13.97
- *310	10	15.21	11.43
- *308	8	12.67	8.89
↓ - *306	6	10.13	6.35
90327 - *304	4	7.59	3.81
PART NO.	CCT SIZE	DIMENSION A	DIMENSION B

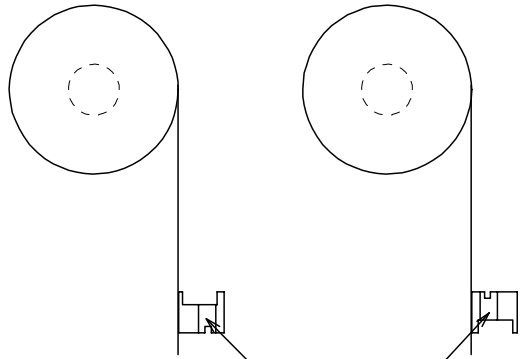
MODIFIED NOTES: EC NO: IPG2014-1046 DRW:DBYRNES 2013/10/16 CHKD: APPR:STGRIFFIN 2014/01/08 REV AJ	QUALITY SYMBOLS ▽=0 ◻=0	GENERAL TOLERANCES (UNLESS SPECIFIED) mm    INCH 4 PLACES ± --- ± --- 3 PLACES ± --- ± --- 2 PLACES ± 0.10 ± --- 1 PLACE ± 0.2 ± --- ANGULAR ± 2 °	DIMENSION STYLE MM ONLY DRAWN BY: NPC DATE: 1987/07/28 CHECKED BY: DMOR IARTY DATE: 2004/09/15 APPROVED BY: JDENNDHY DATE: 2004/09/16 MATERIAL NO.	SCALE 5:1 DESIGN UNITS METRIC THIRD ANGLE PROJECTION	TITLE IDT ASSEMBLY PICO FLEX
	DRAFT WHERE APPLICABLE MUST REMAIN WITHIN DIMENSIONS		SEE CHART	MOLEX INCORPORATED DOCUMENT NO. SDA-90327	SHEET NO. 1 OF 2

THIS DRAWING CONTAINS INFORMATION THAT IS PROPRIETARY TO MOLEX INCORPORATED AND SHOULD NOT BE USED WITHOUT WRITTEN PERMISSION

10 9 8 7 6 5 4 3 2 1

REELING OPTION A

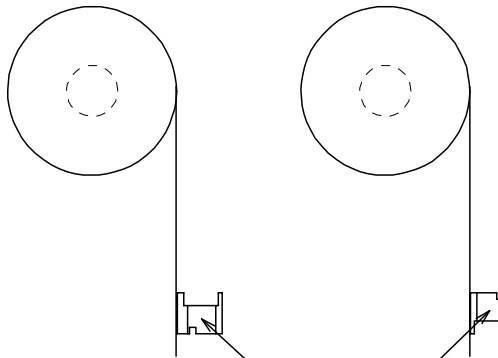
REELING OPTION B



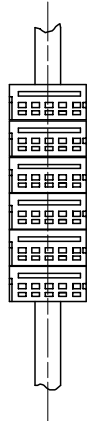
NARROW POLARISING SLOT

REELING OPTION C

REELING OPTION D



WIDE POLARISING SLOT



REEL ASSY NO.	PART NO.	CCT SIZE	REELING OPTION
90327-*351	90327-*304	4	A
↑ *352	↑	↑	B
↓ *353	↓	↓	C
90327-*354	90327-*304	4	D
90327-*355	90327-*306	6	A
↑ *356	↑	↑	B
↓ *357	↓	↓	C
90327-*358	90327-*306	6	D
90327-*359	90327-*308	8	A
↑ *360	↑	↑	B
↓ *361	↓	↓	C
90327-*362	90327-*308	8	D
90327-*363	90327-*310	10	A
↑ *364	↑	↑	B
↓ *365	↓	↓	C
90327-*366	90327-*310	10	D
90327-*367	90327-*312	12	A
↑ *368	↑	↑	B
↓ *369	↓	↓	C
90327-*370	90327-*312	12	D
90327-*371	90327-*314	14	A
↑ *372	↑	↑	B
↓ *373	↓	↓	C
90327-*374	90327-*314	14	D

REEL ASSY NO.	PART NO.	CCT SIZE	REELING OPTION
90327-*375	90327-*316	16	A
↑ *376	↑	↑	B
↓ *377	↓	↓	C
90327-*378	90327-*316	16	D
90327-*379	90327-*318	18	A
↑ *380	↑	↑	B
↓ *381	↓	↓	C
90327-*382	90327-*318	18	D
90327-*383	90327-*320	20	A
↑ *384	↑	↑	B
↓ *385	↓	↓	C
90327-*386	90327-*320	20	D
90327-*387	90327-*326	26	A
↑ *388	↑	↑	B
↓ *389	↓	↓	C
90327-*390	90327-*326	26	D
90327-*391	90327-*322	22	A
↑ *392	↑	↑	B
↓ *393	↓	↓	C
90327-*394	90327-*322	22	D
90327-*395	90327-*324	24	A
↑ *396	↑	↑	B
↓ *397	↓	↓	C
90327-*398	90327-*324	24	D

REVISION UPDATE	DESCRIPTION
EC NO: E2007-0940	
DRWN:DMASZKI/EMI/CZ 2007/06/07	
CHKD:DMORJARTY 2007/06/11	
APPR: JDENNEHY 2007/06/14	
AE	REV

QUALITY SYMBOLS	DESCRIPTION
▽=0	
▽C=0	

GENERAL TOLERANCES (UNLESS SPECIFIED)	
mm	INCH
4 PLACES ± ---	± ---
3 PLACES ± ---	± ---
2 PLACES ± ---	± ---
1 PLACE ± ---	± ---
ANGULAR ± 2 °	
DRAFT WHERE APPLICABLE MUST REMAIN WITHIN DIMENSIONS	

DIMENSION STYLE	
MM/IN	
DRAWN BY	DATE
PAD	1991/02/27
CHECKED BY	DATE
DMORJARTY	2004/09/15
APPROVED BY	DATE
JDENNEHY	2004/09/16
MATERIAL NO.	
SEE CHART	

SCALE	DESIGN UNITS	THIRD ANGLE PROJECTION	
NTS	METRIC		
IDT ASSEMBLY PICOFLEX			
MOLEX INCORPORATED			
DOCUMENT NO.		SHEET NO.	
SDA-90327		2 OF 2	
THIS DRAWING CONTAINS INFORMATION THAT IS PROPRIETARY TO MOLEX INCORPORATED AND SHOULD NOT BE USED WITHOUT WRITTEN PERMISSION			

9 8 7 6 5 4 3 2 1