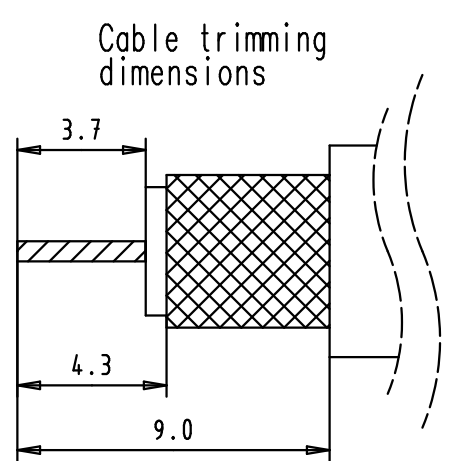
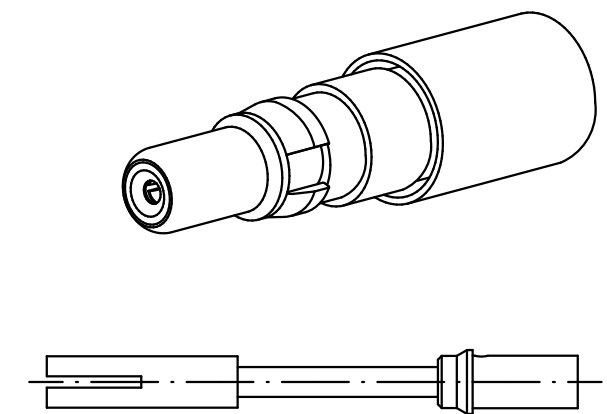
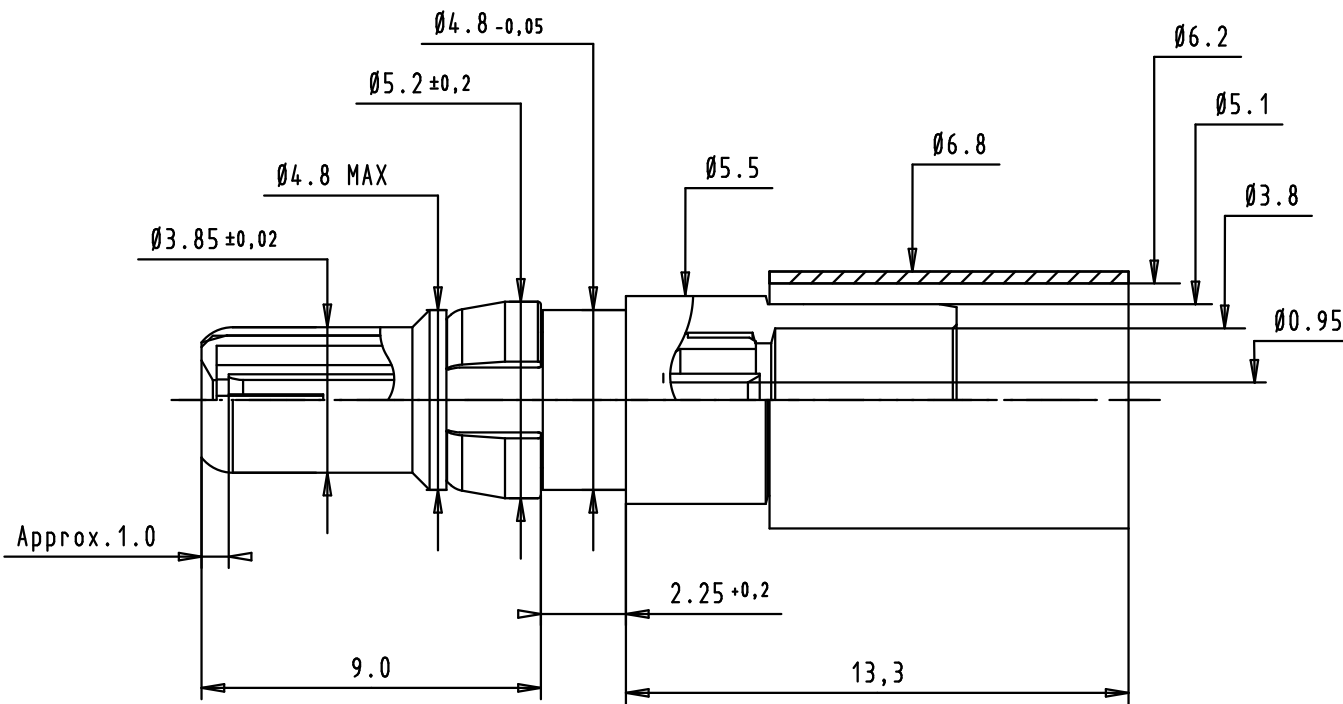


5 4 3 2 1



Crimping tool for outer conductor:
hand tool: 09 99 000 0503
die: 09 99 000 0508 cavity B

Crimping tool for inner conductor:
hand tool: 09 99 000 0501
locator: 09 99 000 0507

with cables:	AWG 24
tool selections:	5

All Dimensions in mm Original Size DIN A 4		Techn. Character.			Nicht tolerierte Maße/Free size tolerances	
			Dat.	Name	Maßstab/Scale	male coaxial contact 75 ohms cable terminations for d-sub, inner and outer conductors
		Detail.	16-09-11	SD		
		Insp.	16-09-11	BD		
		Stand.				
EC03797	16-09-11	SD	HARTING EURL F-95972 Paris			TB 09 69 282 x232
Mod.	Dat.	Name	Sub.			
						Blatt/ page 1/1

A

B

C

D