

MATERIALS AND FINISHES

BODY ZINC ALLOY
PLATED NICKEL

CENTER CONTACT PHOSPHOR BRONZE
PLATED GOLD

INSULATOR POLYPROPYLENE(94 V-2)

HOUSING POLYESTER BUTLYENE TEREPHTHALATE
COLOR WHITE

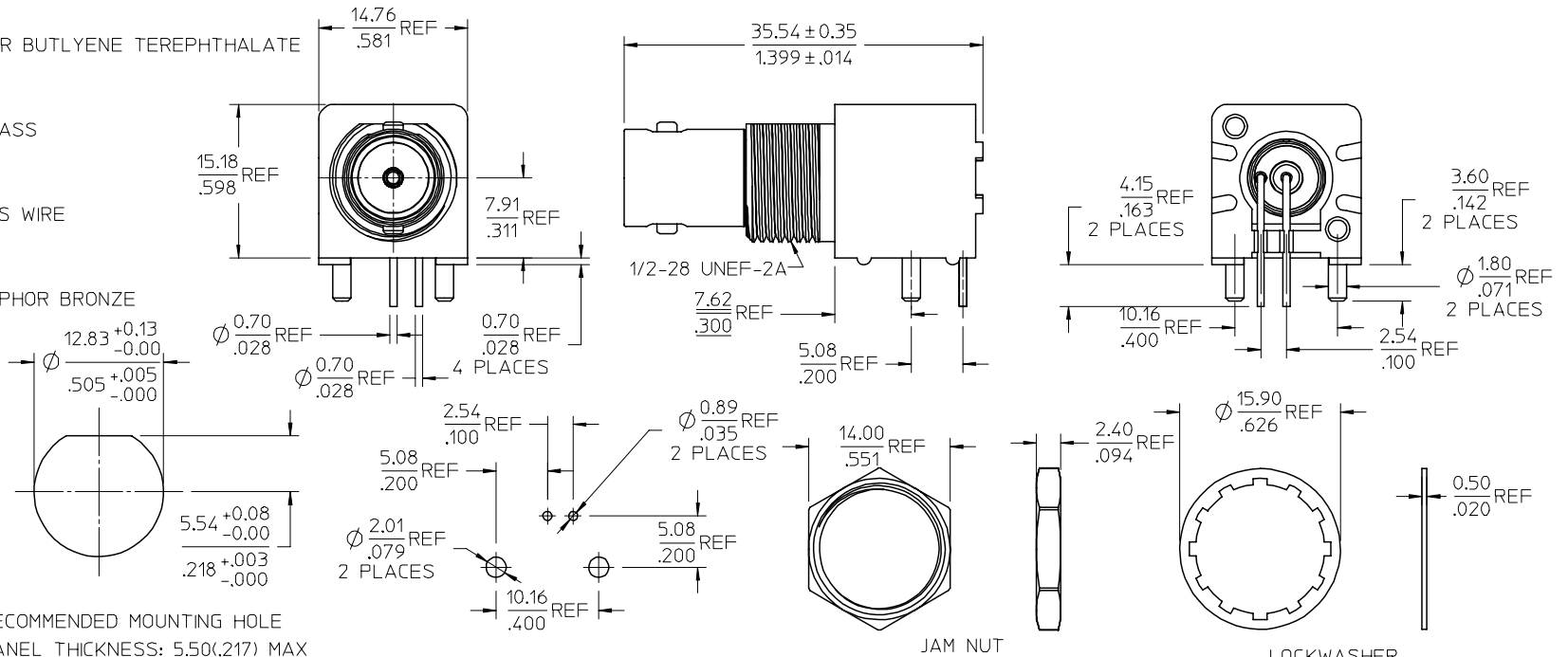
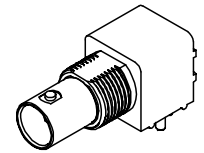
MOUNTING POST BRASS
PLATED TIN

SOLDER TAIL BRASS WIRE
PLATED TIN

LOCKWASHER PHOSPHOR BRONZE
PLATED NICKEL

JAM NUT BRASS
PLATED NICKEL

BNC JACK
INTERFACE



RECOMMENDED MOUNTING HOLE
PANEL THICKNESS: 5.50(.217) MAX
RECOMMENDED MOUNTING TORQUE:
0.56 N-m(5 INCH-LBS)

RECOMMENDED PCB LAYOUT

JAM NUT

LOCKWASHER

PS-73598-0051	PRODUCT SPECIFICATION
ES-73599-0000	INTERFACE
SPECIFICATION	DESCRIPTION

73171-3010	73100-0071, ONE PER BAG
73100-0071	TRAY PACK
PART NO.	PACKAGING

CHG: REDREW IN SD ADDED P/N 73171-3010 EC NO: URF2007-0396 DRWN: TELAHERTY 2007/05/01 CHKD: SHAH 2007/05/01 APPR: JIMENER 2007/05/01 A3	QUALITY SYMBOLS ▽=0 ▽=0	GENERAL TOLERANCES (UNLESS SPECIFIED) mm INCH 4 PLACES ± --- ± --- 3 PLACES ± --- ± --- 2 PLACES ± --- ± --- 1 PLACE ± --- ± --- ANGULAR ± 2 °		DIMENSION STYLE MM/IN	SCALE DESIGN UNITS METRIC	THIRD ANGLE PROJECTION
		DRAFT WHERE APPLICABLE MUST REMAIN WITHIN DIMENSIONS		DRAWN BY C.M.HUANG DATE 1993/02/01	CHECKED BY DATE	TITLE BNC JACK, R/A BULKHEAD PCB, 75 OHMS BNC-J/RA/BLK/PCB
MATERIAL NO. SEE TABLE			DOCUMENT NO. SD-73100-0071		SHEET NO. 1 OF 1	

MOLEX INCORPORATED

THIS DRAWING CONTAINS INFORMATION THAT IS PROPRIETARY TO MOLEX INCORPORATED AND SHOULD NOT BE USED WITHOUT WRITTEN PERMISSION