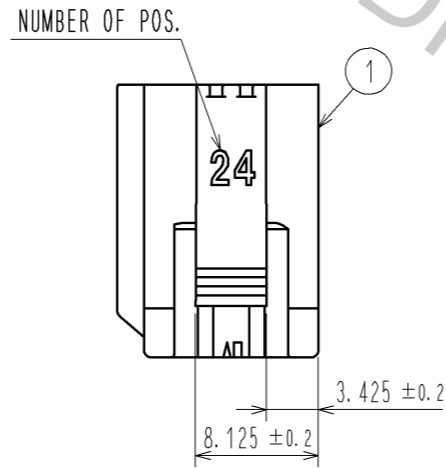
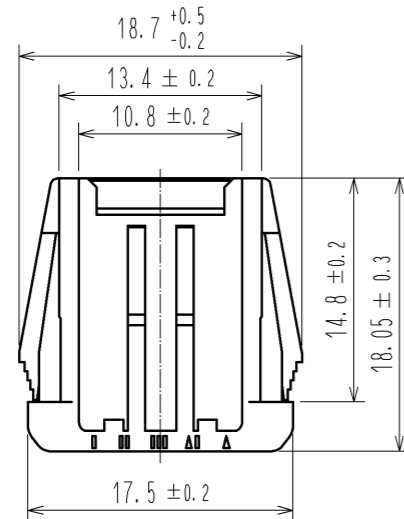
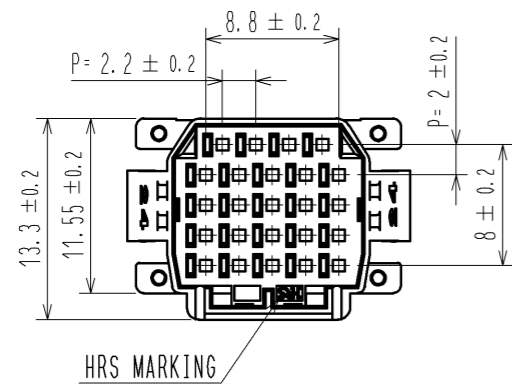
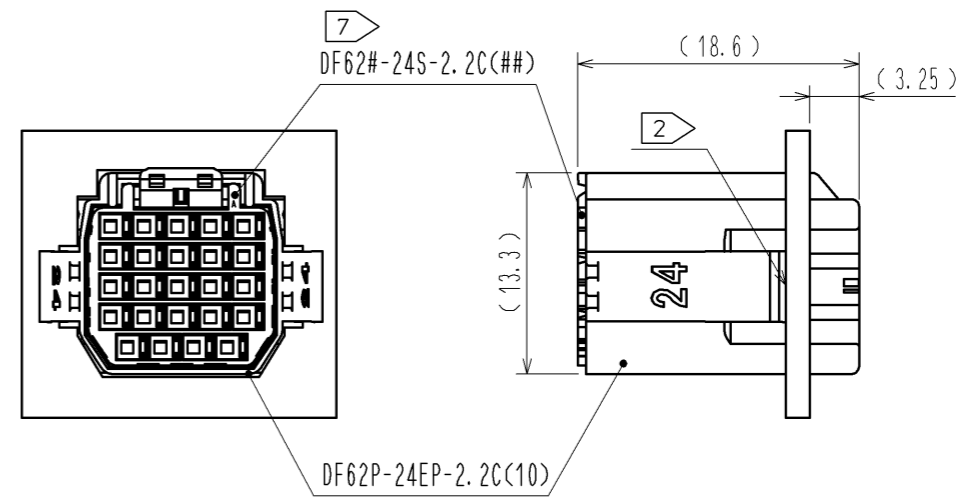


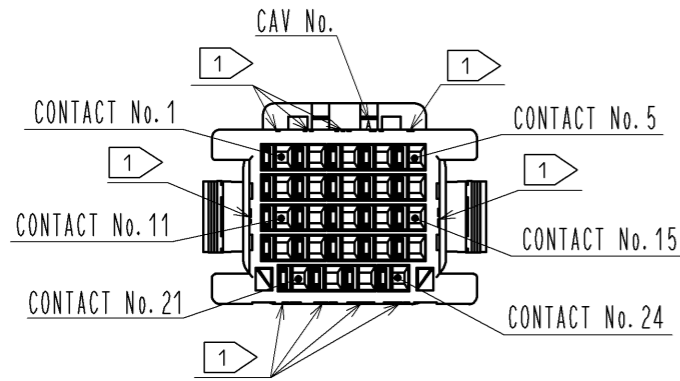
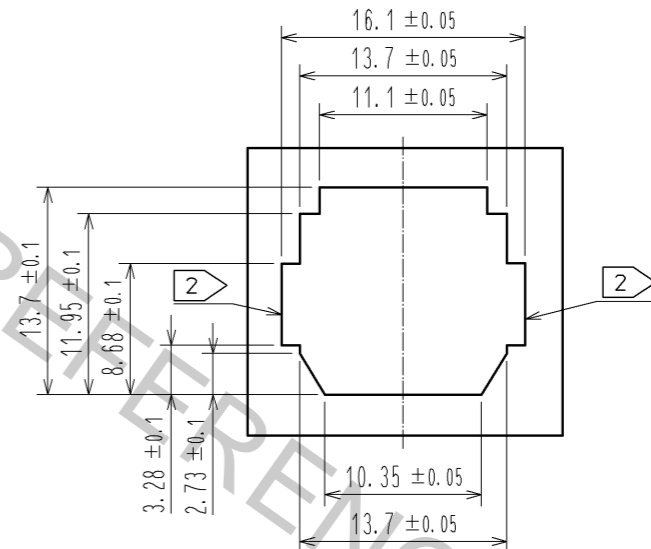
Apr.1.2017 Copyright 2017 HIROSE ELECTRIC CO., LTD. All Rights Reserved.



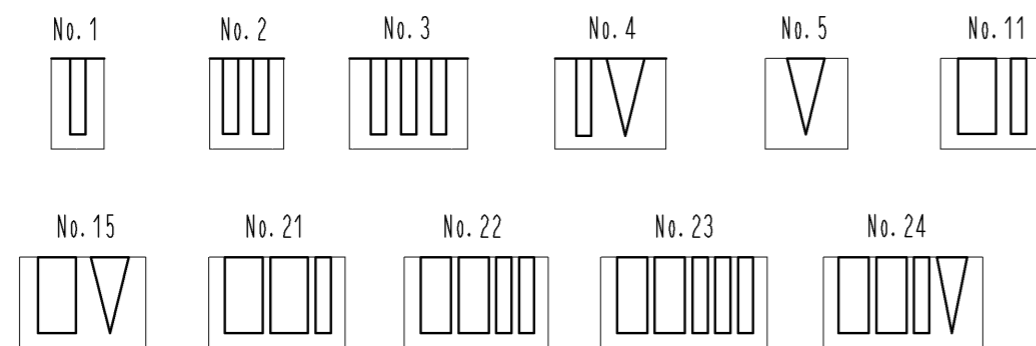
7 MATING FIGURE (PANEL MOUNTED)



3 RECOMMENDED PANEL CUTOUT DIMENSION



1 FIGURE-1 CONTACT No. MARKING (10:1)



- NOTE. 1 MARKINGS AT THE INDICATED POSITIONS ARE CONTACT NO. MARKING. AND SHAPES ARE SHOWN IN FIGURE-1.
 2 PLEASE USE THE NON-RADIUS SIDE FOR THE PANEL HOOKING AREA.
 3 APPLICABLE PANEL THICKENING IS 2.3 TO 0.5mm.
 4 CONSULT HIROSE FOR THE OTHER PANEL CUTOUT DESIGNS THAN THE RECOMMENDED ONE.
 5. PER PACK : 100 PIECES.
 6. THE DIMENSIONS IN PARENTHESIS ARE FOR REFERENCE.
 7 THIS FIGURE SHOWS THE MATED CONDITION WITH DF62B-24S-2.2C.

NO.	MATERIAL	FINISH	REMARKS	NO.	MATERIAL	FINISH	REMARKS	
				1	PBT		UL94V-0<WHITE>	
UNITS	mm	SCALE	2 : 1	COUNT	DESCRIPTION OF REVISIONS	DESIGNED	CHECKED	DATE
HRS		HIROSE ELECTRIC CO., LTD.	APPROVED : KI. AKIYAMA	14.03.10	DRAWING NO.	EDC3-349142-01		
			CHECED : HK. UMEHARA	14.03.10	PART NO.	DF62P-24EP-2.2C(10)		
			DESIGNED : TS. KUMAZAWA	14.03.07	CODE NO.	CL544-0550-7-10		1/1
			DRAWN : TS. KUMAZAWA	14.03.07				