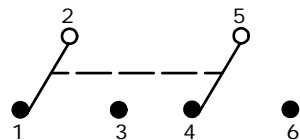
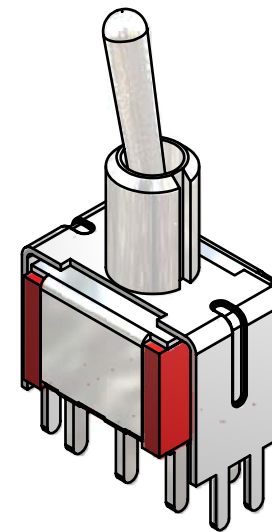
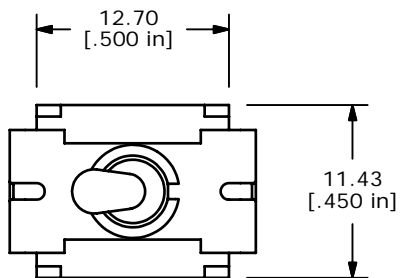


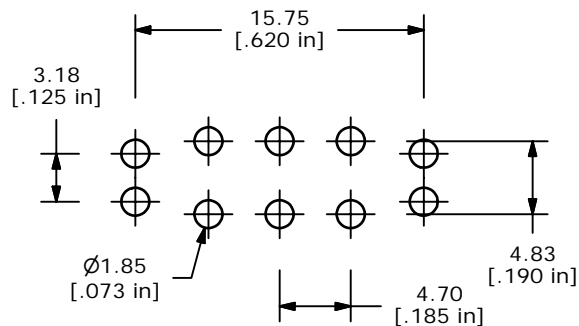
SWITCH FUNCTION		
POS. 1	POS. 2	POS. 3
ON	OFF	ON
2-3, 5-6	OPEN	2-1, 5-4



CIRCUIT: DPDT



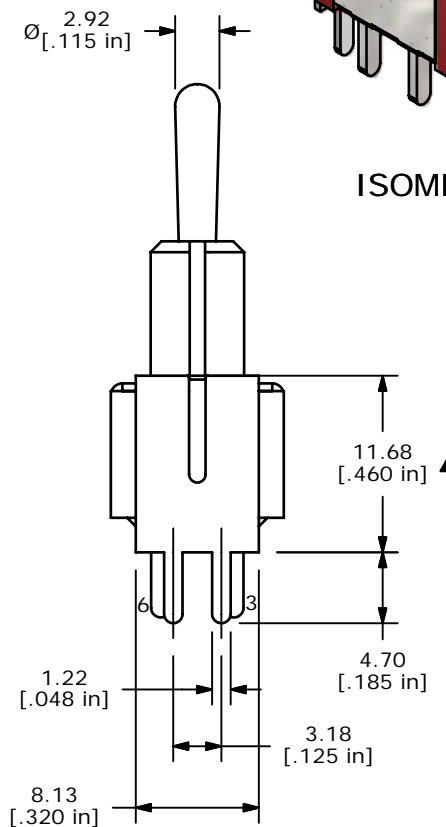
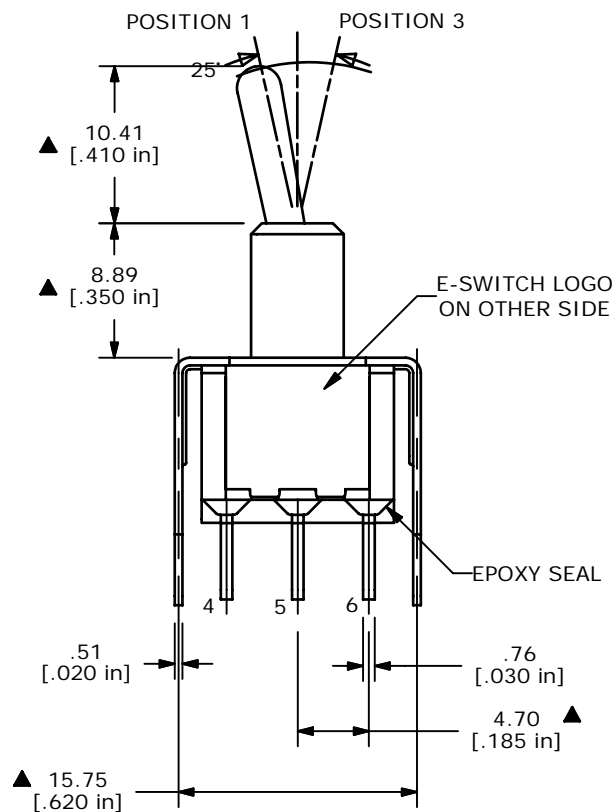
ISOMETRIC



RECOMMENDED PANEL MOUNTING

NOTES:

1. ALL DIMENSIONS IN MM [INCH]
2. GENERAL TOLERANCE: x.x=±0.4
x.xx=±0.25
3. TERM. NUMBERS FOR REFERENCE ONLY
4. RATING: 2 AMPS @250VAC
5 AMPS @120VAC OR 28VDC
- ▲5. CONTACT MATERIAL: SILVER
6. ELECTRICAL LIFE: 30,000 CYCLES
7. INSULATION RESISTANCE: 1,000M OHM MIN.
8. DIELECTRIC STRENGTH: 1000V RMS @ SEA LEVEL
9. OPERATING TEMP: -30°C to 85°C
10. ▲ DENOTES CRITICAL PARAMETER
11. 2002/95/EC (ROHS) COMPLIANT
- ▲12. PACKAGE: TRAY/54 PIECES PER



B	17105	FIXED ACT. DIMENSION	3/15/07	TN
A	17016	RELEASED FOR PRODUCTION	2/26/07	TN
REV	PCR NO	DESCRIPTION	DATE	BY

TITLE 100DP3T1B2VS2QE				
SCALE 2:1	DATE 3/15/2007	DR TN	DWG T121080	REV B

THE INFORMATION CONTAINED IN THIS DOCUMENT IS PROPRIETARY TO E-SWITCH AND IS NOT TO BE COPIED OR TRANSFERRED