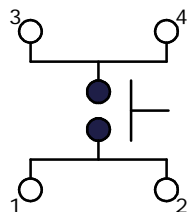
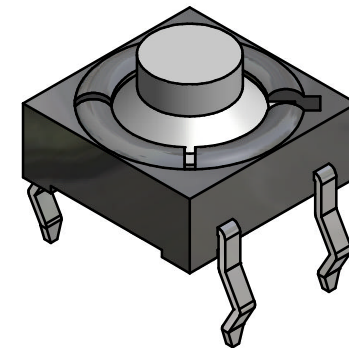
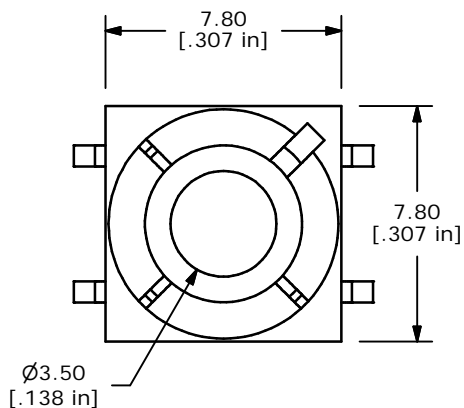


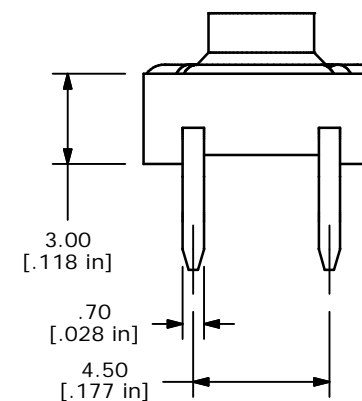
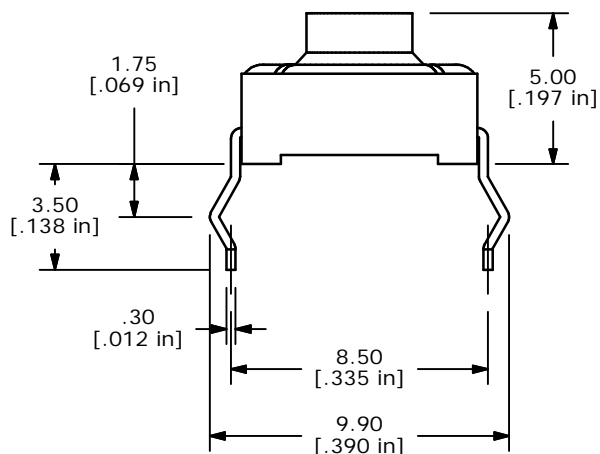
P.C. MOUNTING



CIRCUIT: SPST



ISOMTRIC



NOTES:

1. ALL DIMENSIONS IN MM
2. GENERAL TOLERANCE: X.X=±0.4
X.XX=±0.25
3. TERM. NOS. FOR REFERENCE ONLY.
4. RATING: 12VDC, 50mA
- ▲ 5. OPERATING FORCE: 120 ± 50 gms
6. TRAVEL: 1.0mm ±0.1
7. CONTACT RESISTANCE: 1K OHMS MAX.
8. MECHANICAL/ELECTRICAL LIFE 100,000 CYCLES MIN.
9. STATIONARY CONTACTS: SILVER PLATE
- ▲ 10. PACKAGE: BULK
11. ▲ DENOTES CRITICAL PARAMETER

E-SWITCH®

TITLE TL9000F120QG

A	14767	RELEASED FOR PRODUCTION	3/15/05	AR
REV	PCR NO	DESCRIPTION	DATE	BY

THE INFORMATION CONTAINED IN THIS DOCUMENT IS PROPRIETARY TO E-SWITCH AND IS NOT TO BE COPIED OR TRANSFERRED

SCALE	DATE	DR	DWG	REV
4:1	3/15/05	AR	D390000	A