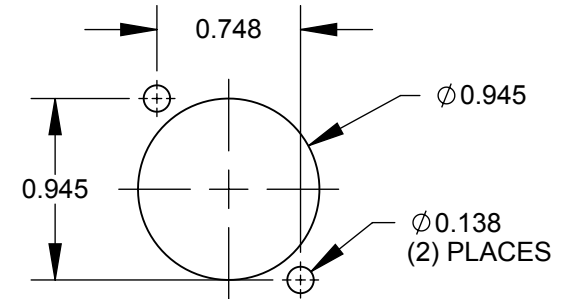
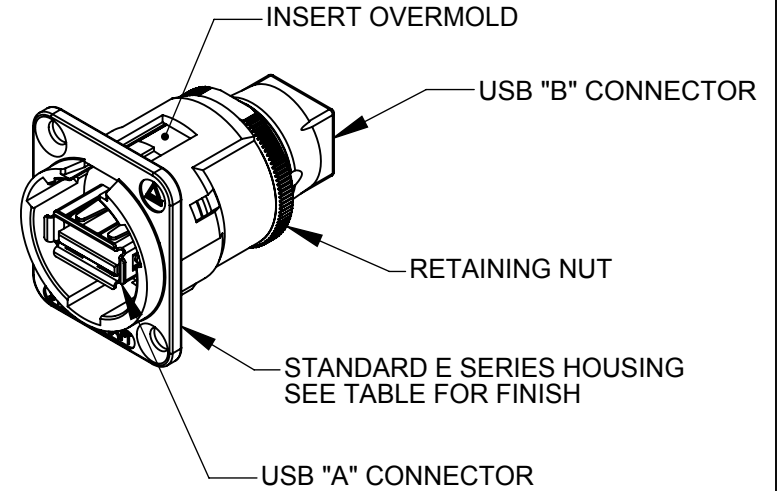
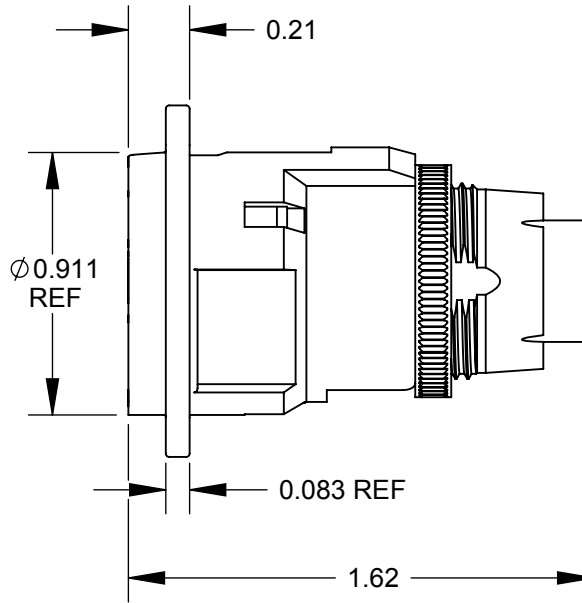


✓ $\varnothing 0.138$ THRU
 $\varnothing 0.230 \times 82^\circ$
 (2) PLACES
 REF



NOTES:

- MATERIALS:**
 INSERT OVERMOLD - THERMOPLASTIC, BLACK
 RETAINING NUT - BRASS, NICKEL PLATED
 HOUSING - ZINC ALLOY
- THIS PRODUCT IS RoHS COMPLIANT.

PART NUMBER	HOUSING FINISH
EHUSBABX	NICKEL
EHUSBABBX	BLACK CHROME

RECOMMENDED
PANEL CUT-OUT

CUSTOMER DRAWING

☆ STAR SYMBOL DENOTES CRITICAL DIMENSION					THIS DRAWING DESCRIBES A DESIGN CONSIDERED PROPRIETARY IN NATURE, DEVELOPED AND MANUFACTURED BY SWITCHCRAFT INC. AND IS RELEASED ON A CONFIDENTIAL BASIS FOR IDENTIFICATION PURPOSES ONLY.						
UNLESS OTHERWISE SPECIFIED 1. ALL DIMENSIONS IN INCHES - TWO PLACE DECIMALS ± 0.01 - THREE PLACE DECIMALS ± 0.005 - ANGLES $\pm 1^\circ$					SIZE	WIDTH	MULT	LBS/M	TEMPER		
					FINISH			MATERIAL			
					SPEC No.			SPEC No.			
					FIRST USED ON		SCALE 1.5:1				
A	26076	7/15/06	RS	TJK	DATE DRAWN	BY	CHKD	APVD			
REV	ECO NUMBER	DATE	BY	APVD	5/5/09	RS	5/5/09	7/15/09			
REVISIONS					NAME E SERIES CONNECTOR, USB A FEMALE TO B FEMALE, RoHS					PART No. EHUSBAB_X SERIES	REV A
DO NOT SCALE DRAWING					SHEET 1 OF 1						

SolidWorks CAD File

