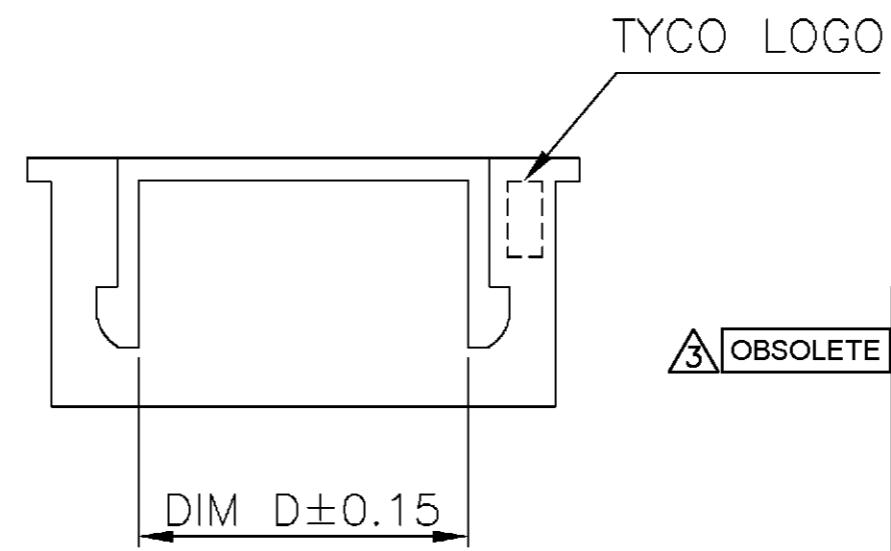
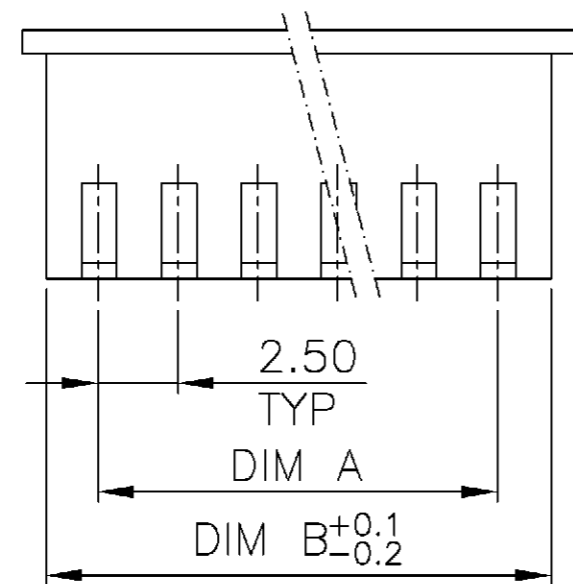
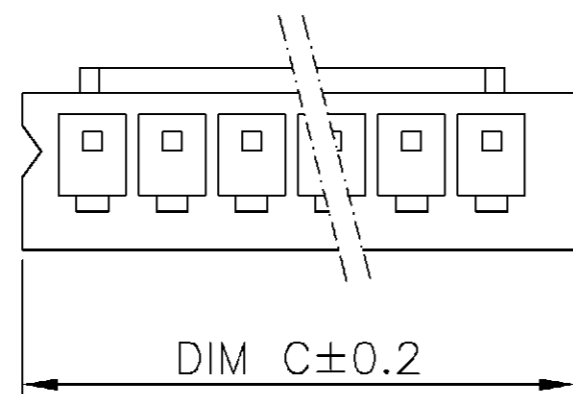
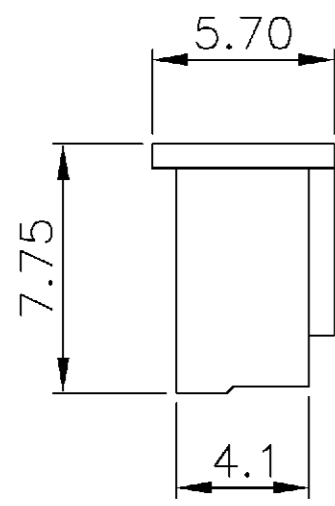


PRINT DIST DW  
 DIMENSIONS IN MILLIMETERS. DO NOT SCALE PRINT.  
 METRIC  
 NUMBER C-1734006  
 3RD ANGLE PROJECTION



NOTE:

1. MATERIAL :  
 HOUSING : THERMOPLASTIC, UL 94V-0,  
 WHITE COLOR.

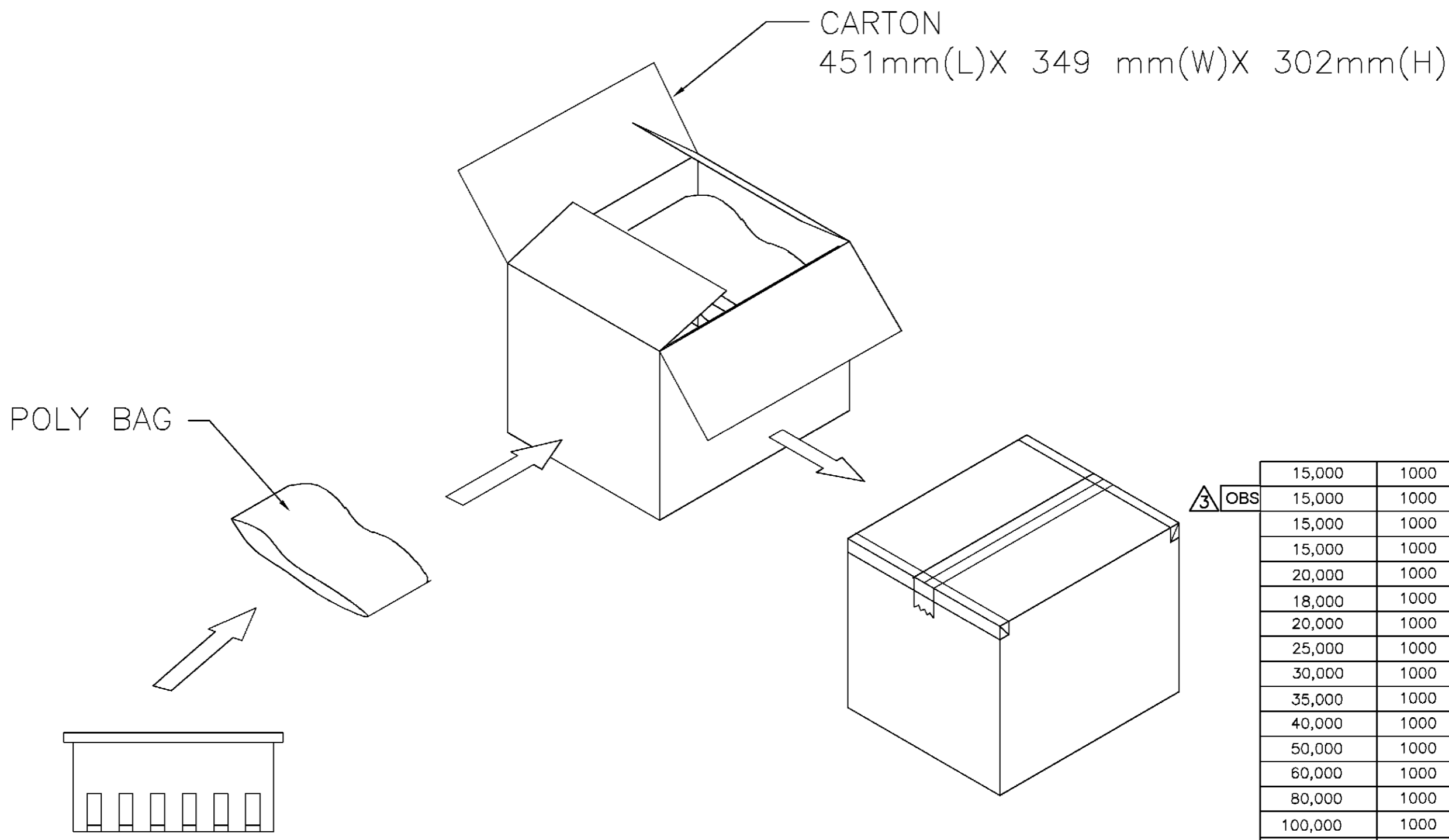
2. APPLY TERMINAL PART NO: 1734007-1.

**3** OBSOLETE PARTS: OBSOLETE CIS STREAMLINING PER  
 D.RENAUD/D.SINISI

<b>3</b> OBSOLETE	42.3	40.8	37.50±0.15	16	1-1734006-6
	39.8	38.3	35.00±0.15	15	<del>1-1734006-5</del>
	37.3	35.8	32.50±0.15	14	1-1734006-4
	34.8	33.3	30.00±0.15	13	1-1734006-3
	32.3	30.8	27.50±0.15	12	1-1734006-2
	29.8	28.3	25.00±0.12	11	1-1734006-1
	27.3	25.8	22.50±0.12	10	1-1734006-0
	24.8	23.3	20.00±0.12	9	1734006-9
	22.3	20.8	17.50±0.10	8	1734006-8
	19.8	18.3	15.00±0.10	7	1734006-7
	17.3	15.8	12.50±0.10	6	1734006-6
	14.8	13.3	10.00±0.08	5	1734006-5
	12.3	10.8	7.50±0.08	4	1734006-4
9.8	8.3	5.00±0.05	3	1734006-3	
7.3	5.8	2.50±0.05	2	1734006-2	
DIM. C	DIM. B	DIM. A	CIRCUITS	PART NUMBER	

DIMENSION : 0 PLC ± 1 PLC ±0.25 2 PLC ±0.15 3 PLC ±0.05 ANGLES ±	DWN O. HU 16-APR-2004	TE Connectivity NAME HPI 2.5 MM PITCH, SHROUDED, HOUSING		
	CHK S. HOU 16-APR-2004			
MATERIAL SEE NOTE	APVD T. KE 16-APR-2004	PRODUCT SPEC 108-57467		
FINISH SEE NOTE	QUALIFICATION TEST REPORT 501-57537	LOC DW A <sub>3</sub>	DRAWING NO C-1734006	REV P
	WEIGHT	SCALE --		SHEET 1 OF 2

P	REVISION RECORD	REVISD PER ECO-11-005301	RK HMR 6APR11
LTR	ECO	DWN CHK	DATE



	15,000	1000	1-1734006-6
3 OBS	15,000	1000	<del>1-1734006-5</del>
	15,000	1000	1-1734006-4
	15,000	1000	1-1734006-3
	20,000	1000	1-1734006-2
	18,000	1000	1-1734006-1
	20,000	1000	1-1734006-0
	25,000	1000	1734006-9
	30,000	1000	1734006-8
	35,000	1000	1734006-7
	40,000	1000	1734006-6
	50,000	1000	1734006-5
	60,000	1000	1734006-4
	80,000	1000	1734006-3
	100,000	1000	1734006-2
	APQ (PCS/CARTON)	PPQ (PCS/BAG)	PART NUMBER

DIMENSION :		DWN		O. HU			
0 PLC ±		16-APR-2004		16-APR-2004			
1 PLC ±		CHK		S. HOU		NAME	
2 PLC ±		16-APR-2004		16-APR-2004			
3 PLC ±		MATERIAL		APVD		HPI 2.5 MM PITCH, SHROUDED, HOUSING	
ANGLES ±		SEE NOTE		T. KE			
		FINISH		16-APR-2004		PRODUCT SPEC	
		SEE NOTE		APPLICATION SPEC		LOC DW	
				WEIGHT		SIZE A <sub>3</sub>	
						DRAWING NO C-1734006	
						REV P	
						SCALE --	
						SHEET 2 OF 2	

LTR	REVISION RECORD	SEE SHEET 1.	ECO	DWN	CHK	DATE
-----	-----------------	--------------	-----	-----	-----	------