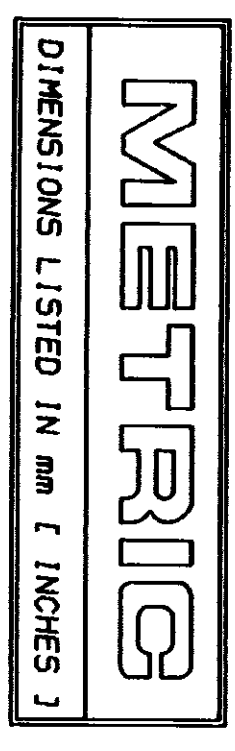
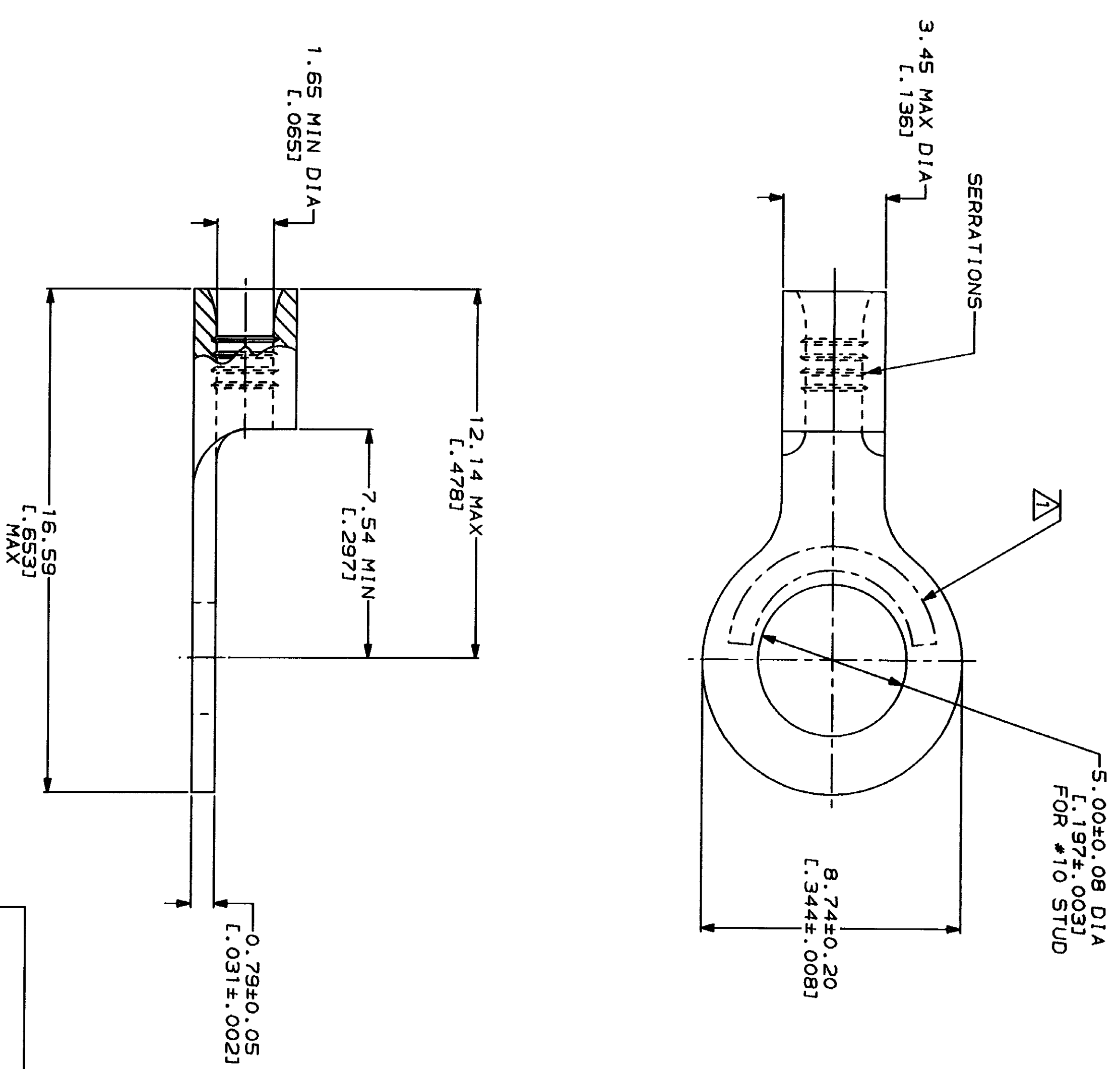


LOC	DATE	REVISIONS	DESCRIPTION	DATE	APP'D
G	14		REVISED PER 0720-0230-93	2/25/94	AMP



<b>AMP</b> WIRE RANGE	<b>IL</b> E13288 Listed
22-16 AWG STRANDED	22-16 AWG STRANDED
● LR7189 Certified	MILITARY P/N AND CLASS
NOT CERTIFIED	NOT APPLICABLE

⚠ STAMP AMP 22-18\* APPROX AS SHOWN  
 22-16 TERMINALS ARE STAMPED 22-18 IN  
 ACCORDANCE WITH MILITARY SPECIFICATION  
 MIL-T-7928, COMMERCIAL WIRE RANGE IS 22-16



AMP INCORPORATED  
 CUSTOMER SERVICE SYSTEMS

FOR ADDITIONAL  
 PRODUCT INFORMATION OR  
 COPIES OF DRAWINGS  
 AND TECHNICAL DOCUMENTS  
 FOR APPLICATION  
 TOOLING INFORMATION  
 FOR ORDER ENTRY

PRODUCT INFORMATION CENTER  
 1-800-522-6752  
 TOOLING ASSISTANCE CENTER  
 1-800-722-1111  
 1-800-526-5142

MAX RECOMMENDED OPERATING  
 TEMPERATURE:  
 170°C MAX

VOLTAGE RATING:  
 NOT APPLICABLE

WIRE CROSS SECTIONAL AREA RANGE:  
 0.26-1.65mm<sup>2</sup> [509-3,260] CIR MILS  
 STRANDED

DO NOT SCALE PRINT.  
 UNLESS SPECIFIED  
 DIMENSIONS IN MILLIMETERS  
 TOLERANCES IN MILLIMETERS  
 2 PLC DEC ± .05  
 3 PLC DEC ± .01

FINISH: TIN PLATE  
 0.00254 [L.000100] MIN  
 THK PER MIL-T-10727

DR 2-3-93  
 TA BRINKMAN

CHK 2-3-93  
 DA PATTERSON

APPD 2-3-93  
 DE MILLER

APPD 2-3-93  
 JL HECKLEY

PRODUCT SPEC

APPLICATION SPEC

WEIGHT

SCALE 8:1

AMP Incorporated  
 Horshburg, PA 17105-3608

TERMINAL, RING TONGUE,  
 BUDGET

AMP 1471-B REV 3-B2