

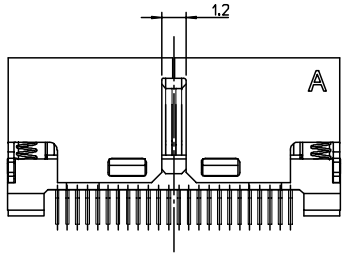
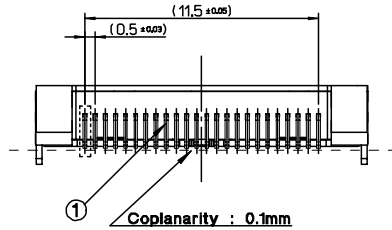
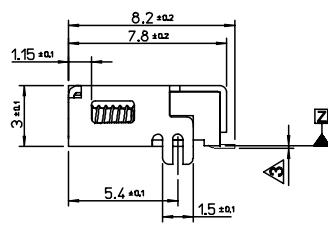
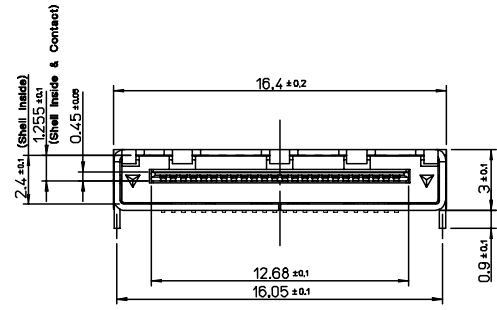
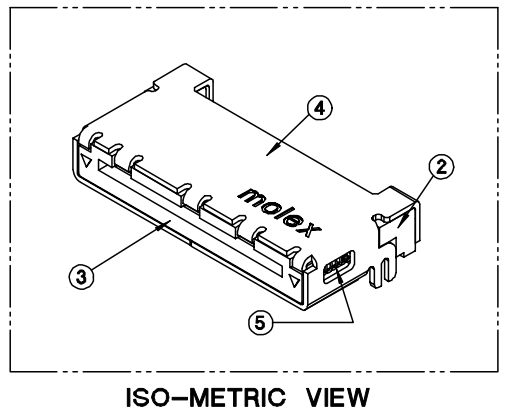
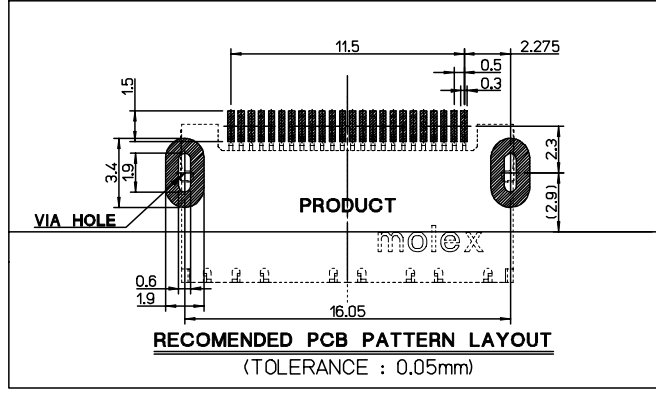
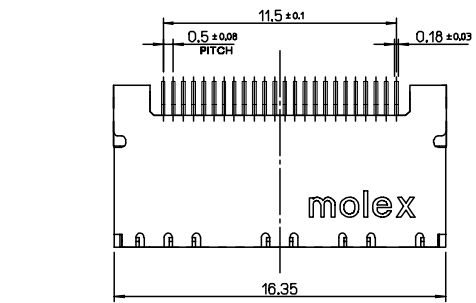
DWG. NO. SD-49045-001

SIMILAR ITEM

PROJECT NO.

B

DO NOT SCALE DRAWING DIMENSION IN METRIC



NOTES

1. MATERIALS: SEE TABLE 2
2. FINISHES: SEE TABLE 2
3. ALIGNMENT OF SOLDER TAILS FROM Z: UPPER DIRECTION 0.05 MAX. LOWER DIRECTION 0.1 MAX.
4. COPLANARITY OF SOLDER TAILS : 0.1mm MAX.
5. PRODUCT SPECIFICATION : PS-49045-001
6. PACKAGING SPECIFICATION : PK-49045-001

TABLE 1

SILVER	490450016	49045-0016
BLACK	490450011	49045-0011
COLOR	MATERIAL NO.	ENGINEERING NO.

TABLE 2

5	SPRING	STAINLESS STEEL	NONE
4	METAL SHELL	STAINLESS STEEL	NICKEL
3	SHUTTER	POLY AMIDE UL94V-0	BLACK / NATURAL
2	HOUSING	POLY AMIDE UL94V-0	BLACK COLOR
1	CONTACT TERMINAL	COPPER ALLOY	SELECTIVE GOLD
NO.	DESCRIPTION	MATERIAL	FINISH

REVISED	ECN NO. KOR2007-0007 DRWN: E.S.JUNG 06/07/24 CHK: S.H.JOO APPR: S.J.SEH	DESCRIPTION	QUALITY SYMBOLS MAJOR CRITICAL	GENERAL TOLERANCES: (UNLESS SPECIFIED)		SCALE 4 : 1	DESIGN UNITS <input checked="" type="checkbox"/> mm <input type="checkbox"/> INCH	DIMENSIONS: <input type="checkbox"/> mm <input type="checkbox"/> INCH <input checked="" type="checkbox"/> mm ONLY		SHT	REV	
				4 PLACES ±0	3 PLACES ±0.1	2 PLACES ±0.1	1 PLACE ±0.2	ANGULAR: ± 3 °	DRAWN BY & DATE E.S.JUNG 05/07/19		THIRD ANGLE PROJECTION	
C	REV	DRAFT WHERE APPLICABLE MUST REMAIN WITHIN DIMENSIONS				APPROVED BY & DATE S.J.SEH		MATERIAL NO. SEE TABLE 1		DRAWING NO. SD-49045-001		SHEET NO. 1 OF 2
		THIS DRAWING CONTAINS INFORMATION THAT IS PROPRIETARY TO MOLEX INCORPORATED AND SHOULD NOT BE USED WITHOUT WRITTEN PERMISSION.						CAD FILENAME SD49045001.MI		MATERIAL NO. SEE TABLE 1		DRAWING NO. SD-49045-001

DO NOT SCALE DRAWING DIMENSION IN METRIC

B

C

PROJECT NO.

SIMILAR ITEM

DWG. NO. SD-49045-001

8 7 6 5 4 3 2 1

F

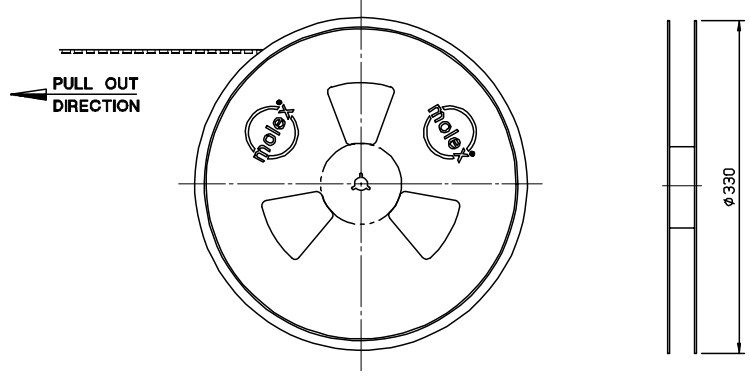
E

D

C

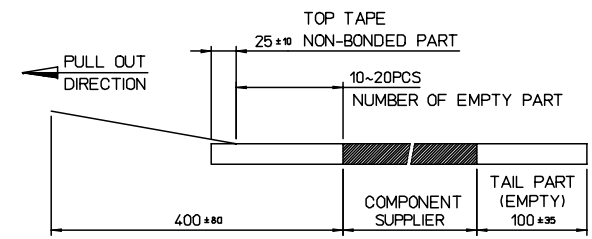
B

A

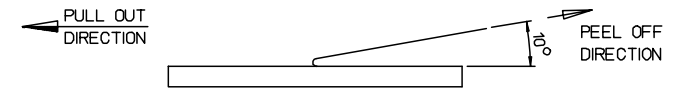


NOTES

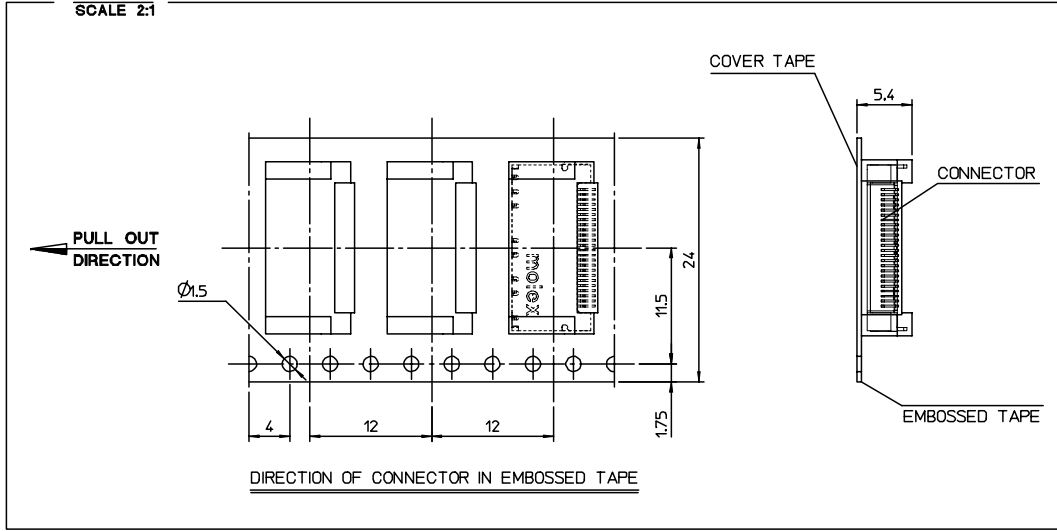
1. QUANTITY OF CONNECTORS : 1,000PCS/REEL
2. LEAD LENGTH



3. PEELING OFF FORCE OF COVER TAPE : 0.1N ±0.59N(10.2±60GF)
(PEELING DIRECTION AS SHOW IN FOLLOW FIG.)
- PEELING OFF SPEED : 300mm/Min.(Ref.)



DETAIL SCALE 2:1



RELEASE
ECN NO. KOR2008-0074
DRWN: ES.JUNG 05/12/21
CHK: SH.JOO
APPR: SJ.SEH

A1

QUALITY SYMBOLS
MAJOR =
CRITICAL =
C =

DESCRIPTION

REV

GENERAL TOLERANCES: (UNLESS SPECIFIED)

	MM	INCH
4 PLACES	±0.1	±-
3 PLACES	±0.1	±-
2 PLACES	±0.1	±-
1 PLACE	±0.2	±-

ANGULAR: ± 3°

DRAFT WHERE APPLICABLE MUST REMAIN WITHIN DIMENSIONS

SCALE 4 : 1

DESIGN UNITS MM INCH

THIRD ANGLE PROJECTION

DRAWN BY & DATE
ES.JUNG 05/12/21

CHECKED BY & DATE
SH.JOO

APPROVED BY & DATE
SJ.SEH

CAD FILENAME
SD49045001.MI

DIMENSIONS: <input type="checkbox"/> MM <input type="checkbox"/> INCH <input checked="" type="checkbox"/> MM ONLY		SHT	REV
TITLE: 0.5 SHUTTER I/O CONN. 24P RECEPTACLE (WITHOUT BATTERY)			
MATERIAL NO. SEE TABLE 1		DRAWING NO. SD-49045-001	SHEET NO. 2 OF 2
THIS DRAWING CONTAINS INFORMATION THAT IS PROPRIETARY TO MOLEX INCORPORATED AND SHOULD NOT BE USED WITHOUT WRITTEN PERMISSION.		KOREA MX-A3	

8 7 6 5 4 3 2 1 KOREA MX-A3