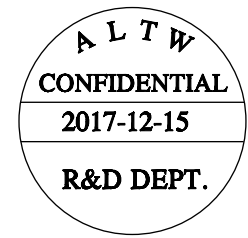
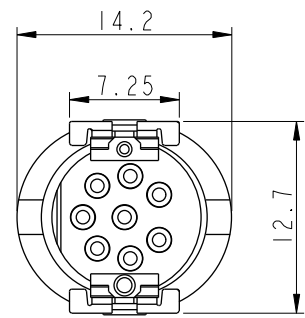
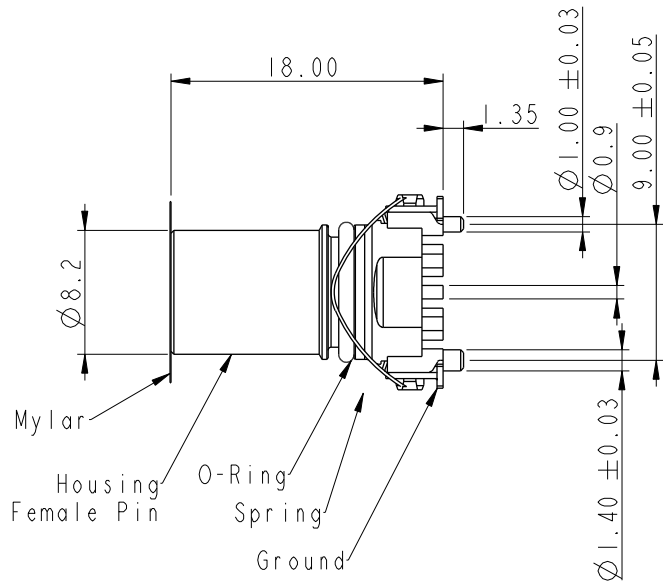


REV.	ECN NO.	DATE	SIGN	DESCRIPTION
A	Initial Release	2017/12/15	Arvin Chan	Change Rev.01 To Rev.A



Note:

- * \varnothing Important Dimension,
- Material Specification :
 - * Housing : Thermoplastic
 - * Female Pin : Copper Alloy, Gold Plated
 - * Ground : Copper Alloy, Tin Plated
 - * Spring : Stainless Steel
 - * O-Ring : Silicone, Gray
- Electrical Specification :
 - * Contact Resistance : 10m Ω Max.
 - * Insulation Resistance : 100M Ω min.
 - * Dielectric Withstanding Voltage : 1KV
 - * Rated Voltage : 3Pin&4Pin 250V d.c. or a.c.
5Pin 60V d.c. or a.c.
8Pin 30V d.c. or a.c.
 - * Rated Current : 3Pin,4Pin&5Pin 4A
8Pin 2A
- Mechanical Specification :
 - * Durability : 1000 Cycles(IEC : 100 Cycles)
- Environmental Specification :
 - * Temperature Range : -55~125 $^{\circ}$ C
 - * Salt Spray : 48h
 - * SMT Temperature & Time : 260 $^{\circ}$ C/5Sec
 - * SMT Paste : 0.12mm min.

MS * S - * * P F F T - E E 8 0 0 1

MSAS: M12 A Code Shield
 MSBS: M12 B Code Shield
 MSDS: M12 D Code Shield

03: 3Pin
 04: 4Pin
 05: 5Pin
 08: 8Pin

P: Panel
 F: Female Connector

001: Serial Number
 8: IP68(Mated, 1M/24Hours)
 IP65(Unmated)
 E: None Back Shell
 E: None Mating Style
 T: SMT Type
 F: Female Pin

UNIT: mm		
TOLERANCE	.X ±0.25	.XX ±0.1
	.XXX ±0.05	ANGLES ±1 $^{\circ}$

TITLE M12 F CONN F PIN SMT TYPE		
SCALE 1:1	SIZE A4	SHEET 1 OF 4
REV. A	WC-REV. A.2	QC: Inspection item

Amphenol LTW
 安費諾亮泰企業股份有限公司

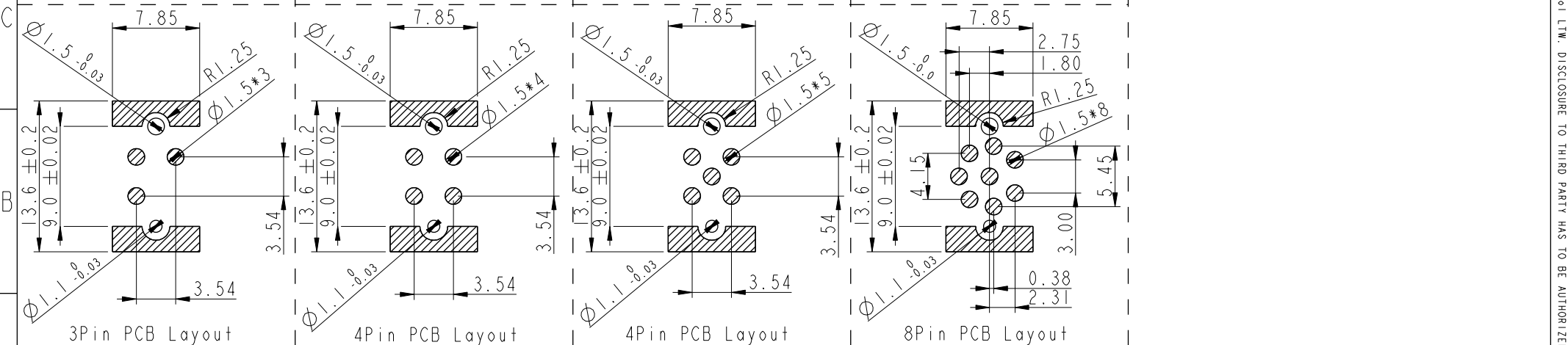
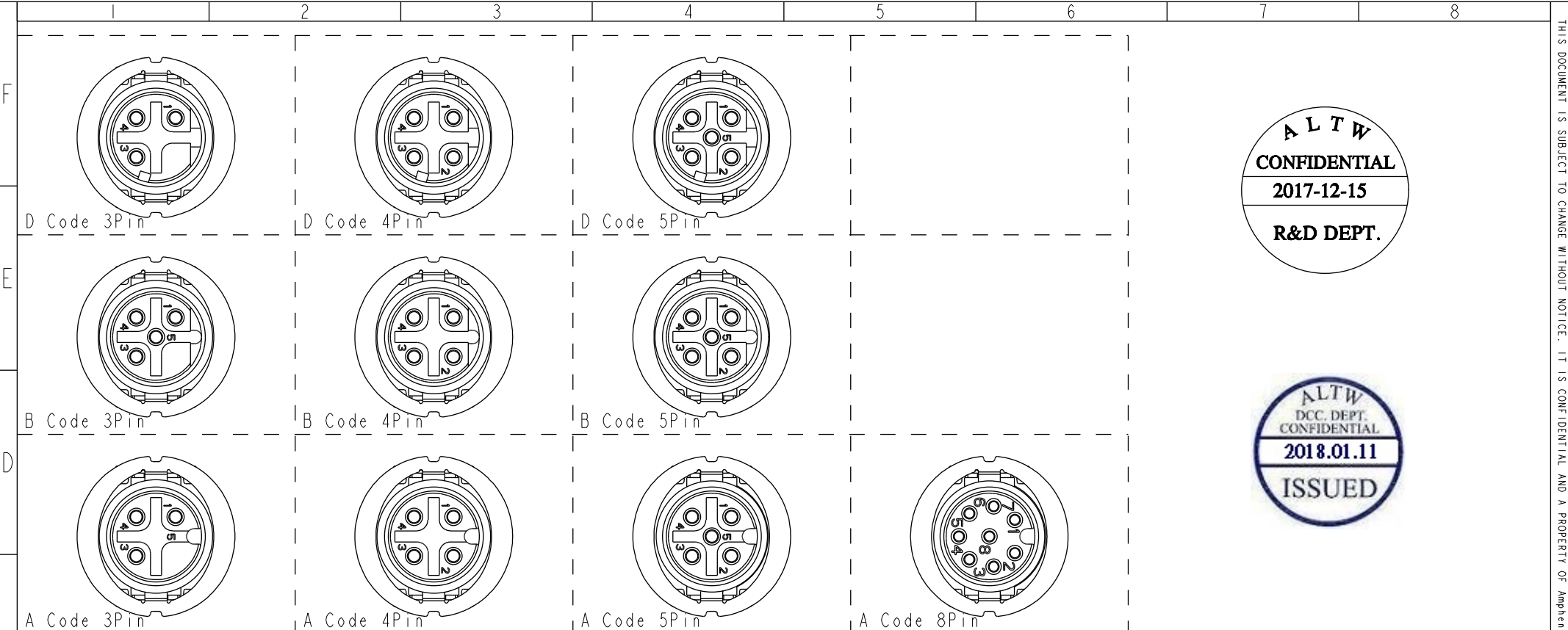
ITEM NO	DRAWN BY Arvin Chan	DATE 2017-12-15
DWG NO MSXS-XXPFPT-EE8XXX	CHECKED BY Aric Ko	DATE 2017-12-15
CUSTOMER ALTW	APPROVED BY Kevin Hu	DATE 2017-12-15

THIS DOCUMENT IS SUBJECT TO CHANGE WITHOUT NOTICE. IT IS CONFIDENTIAL AND A PROPERTY OF AMPHENOL LTW. DISCLOSURE TO THIRD PARTY HAS TO BE AUTHORIZED BY AMPHENOL LTW.

THIS DOCUMENT IS SUBJECT TO CHANGE WITHOUT NOTICE. IT IS CONFIDENTIAL AND A PROPERTY OF Amphenol LTW. DISCLOSURE TO THIRD PARTY HAS TO BE AUTHORIZED BY Amphenol LTW.

ALTW
CONFIDENTIAL
 2017-12-15
R&D DEPT.

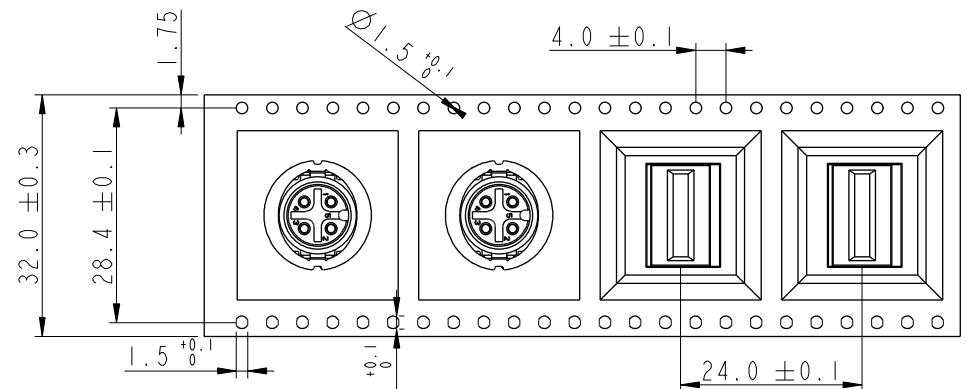
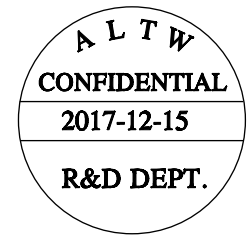
ALTW
 DCC. DEPT.
 CONFIDENTIAL
 2018.01.11
ISSUED



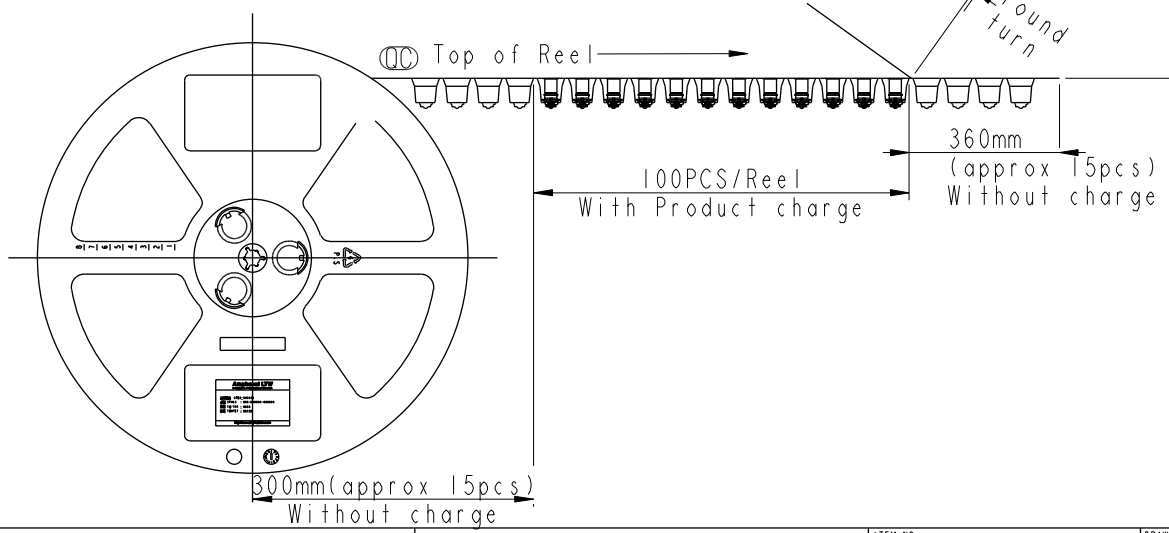
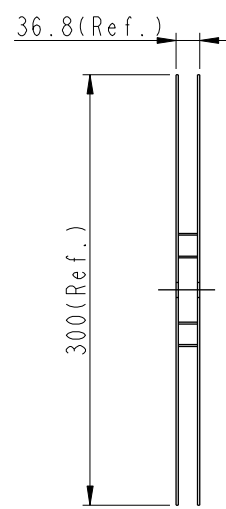
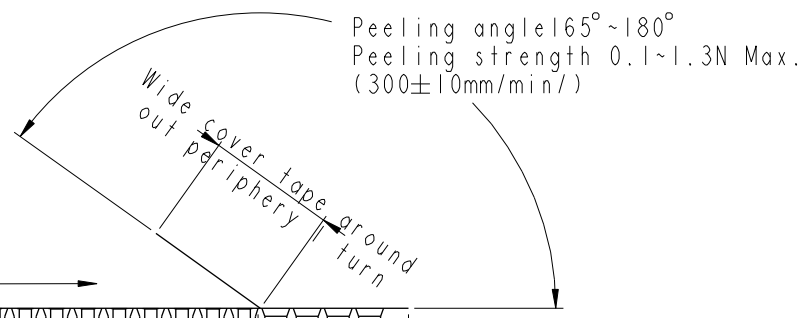
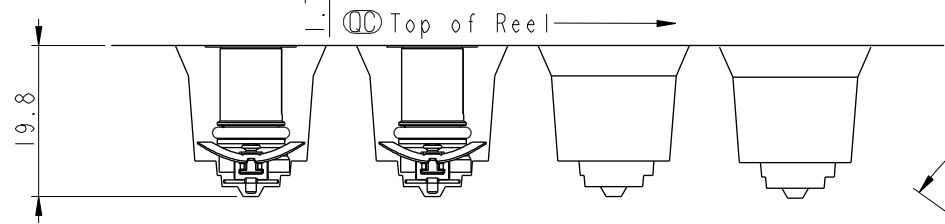
UNIT: mm			TITLE M12 F CONN F PIN SMT TYPE				ITEM NO	DRAWN BY Arvin Chan	DATE 2017-12-15
	TOLERANCE .X ± 0.25 .XX ± 0.1 .XXX ± 0.05 ANGLES $\pm 1^\circ$			SCALE 1:1	SIZE A4	SHEET 2 OF 4	DWG NO MSXS-XXPFFT-EE8XXX	CHECKED BY Aric Ko	DATE 2017-12-15
			REV. A	WC-REV. .0		CUSTOMER ALTW	APPROVED BY Kevin Hu	DATE 2017-12-15	

Amphenol LTW
安費諾亮泰企業股份有限公司

THIS DOCUMENT IS SUBJECT TO CHANGE WITHOUT NOTICE. IT IS CONFIDENTIAL AND A PROPERTY OF AMPHENOL LTW. DISCLOSURE TO THIRD PARTY HAS TO BE AUTHORIZED BY AMPHENOL LTW.



NOTE:
 (CC)* Connector Orient follow Drawing



UNIT: mm		
TOLERANCE	.X ±0.25	
.XX	±0.1	
.XXX	±0.05	
ANGLES	±1°	

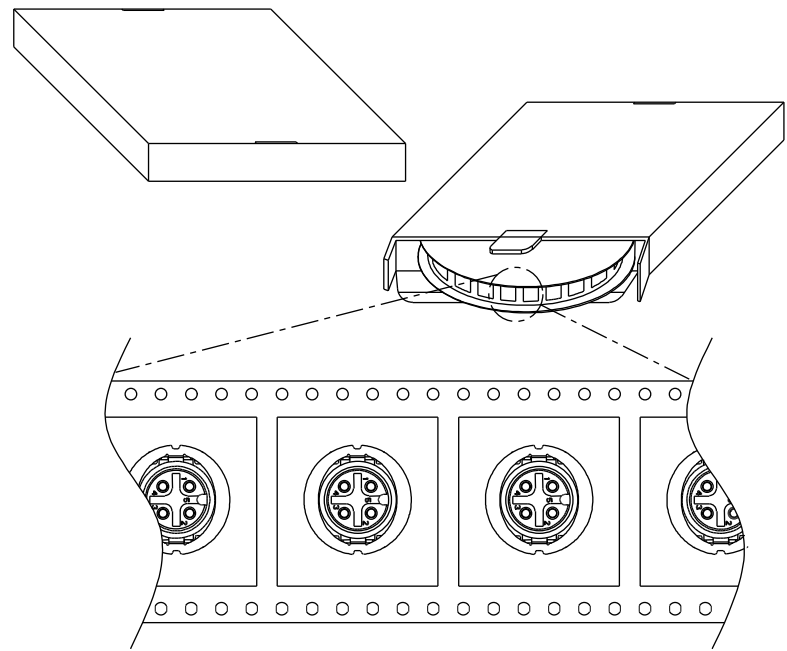
TITLE M12 F CONN F PIN SMT TYPE			
SCALE 1:1	SIZE A4	SHEET 3 OF 4	
REV. A	WC-REV. .0	(CC): Inspection item	

Amphenol LTW
 安費諾亮泰企業股份有限公司

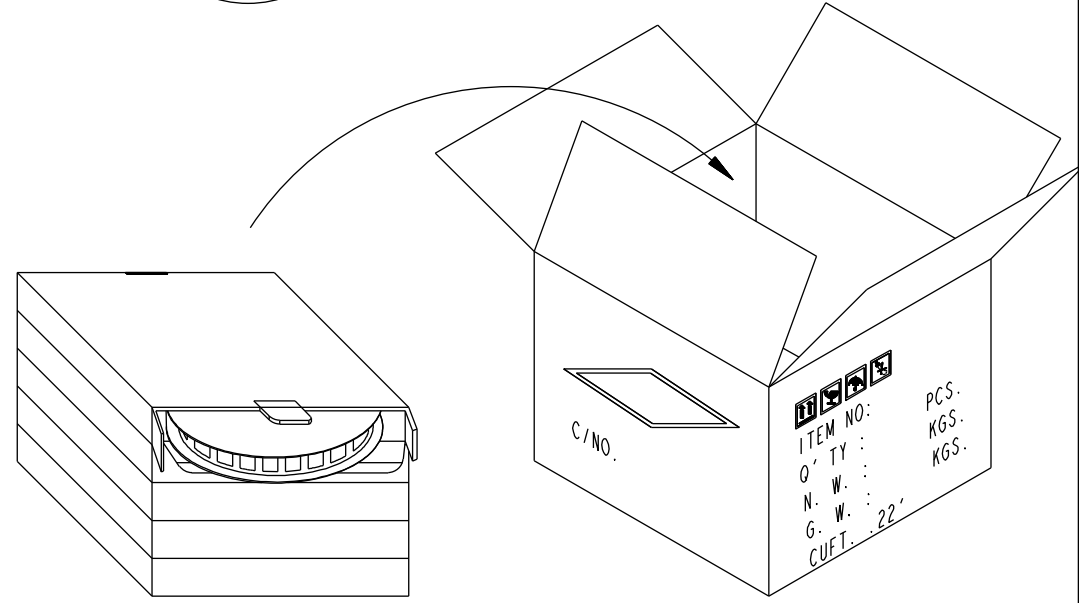
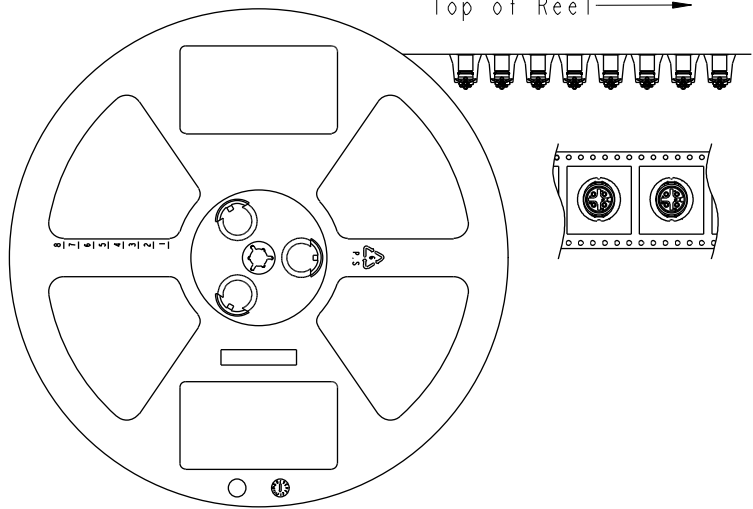
ITEM NO	DRAWN BY Arvin Chan	DATE 2017-12-15
DWG NO MSXS-XXPFFT-EE8XXX	CHECKED BY Aric Ko	DATE 2017-12-15
CUSTOMER ALTW	APPROVED BY Kevin Hu	DATE 2017-12-15

THIS DOCUMENT IS SUBJECT TO CHANGE WITHOUT NOTICE. IT IS CONFIDENTIAL AND A PROPERTY OF Amphenol LTW. DISCLOSURE TO THIRD PARTY HAS TO BE AUTHORIZED BY Amphenol LTW.

ALTW
CONFIDENTIAL
 2017-12-15
R&D DEPT.



Top of Reel →



Note:
 100 PCS(Connector)/Tape&Reel Put in a Box
 5PCS(Max.) Box Put in a Carton

ALTW
DCC. DEPT.
CONFIDENTIAL
 2018.01.11
ISSUED

UNIT: mm		
TOLERANCE		
.X	±0.25	
.XX	±0.1	
.XXX	±0.05	
ANGLES	±1°	

TITLE MI2 F CONN F PIN SMT TYPE		
SCALE 1:1	SIZE A4	SHEET 4 OF 4
REV. A	WC-REV. .0	: Inspection item

Amphenol LTW
安費諾亮泰企業股份有限公司

ITEM NO	DRAWN BY Arvin Chan	DATE 2017-12-15
DWG NO MSXS-XXPFFT-EE8XXX	CHECKED BY Aric Ko	DATE 2017-12-15
CUSTOMER ALTW	APPROVED BY Kevin Hu	DATE 2017-12-15

DATE 2017-12-15
DATE 2017-12-15
DATE 2017-12-15