

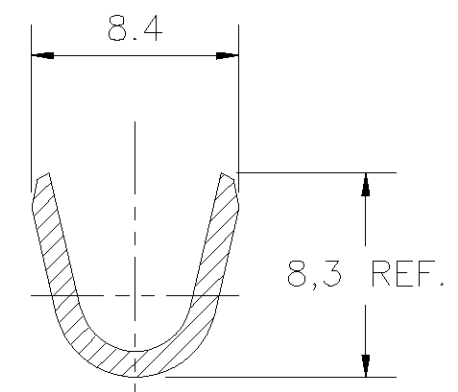
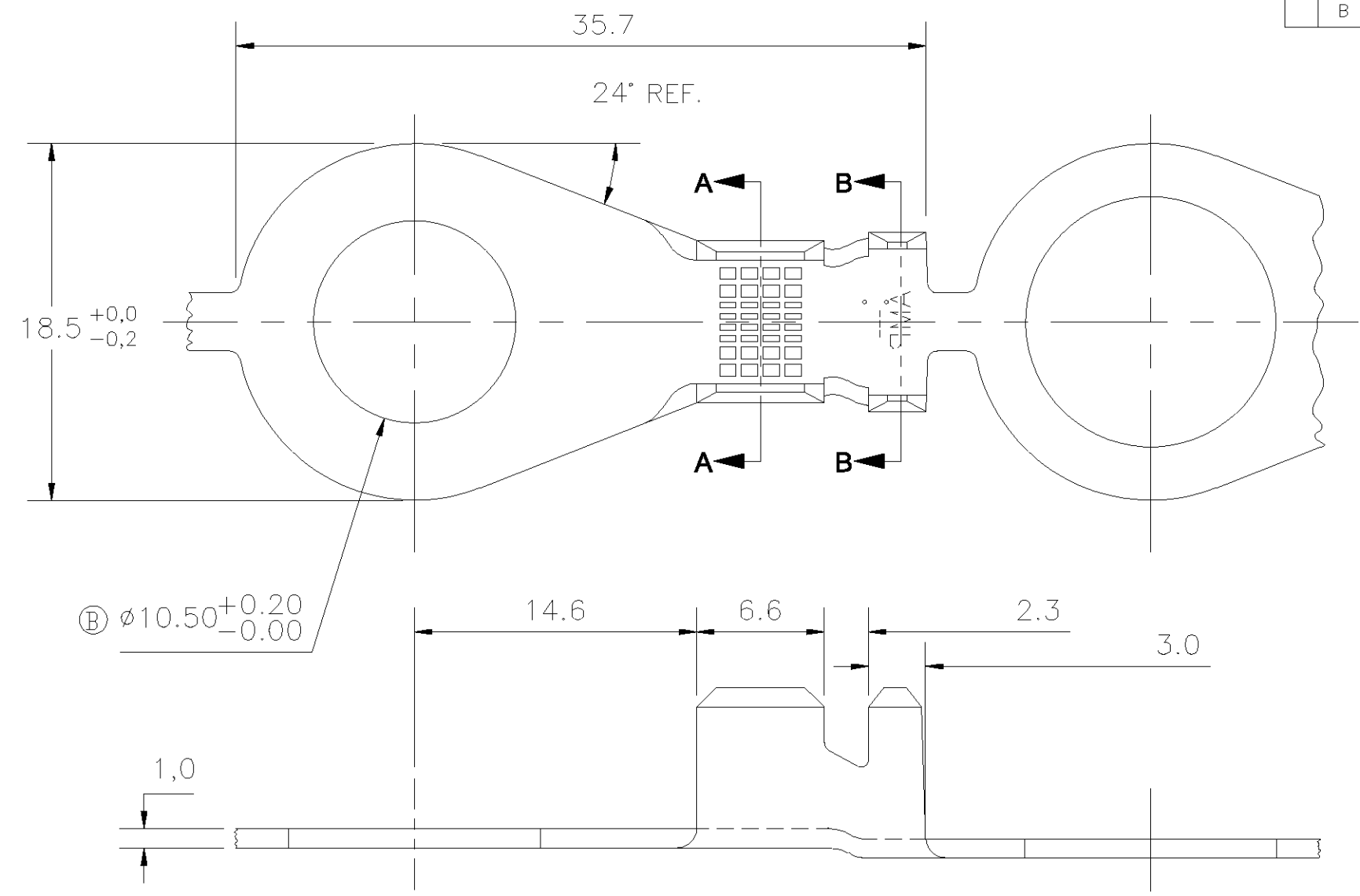
THIS DRAWING IS UNPUBLISHED. RELEASED FOR PUBLICATION
 © COPYRIGHT BY TYCO ELECTRONICS CORPORATION. ALL RIGHTS RESERVED.

CAD
 AutoCAD
 DO NOT REVISE
 EXCEPT BY CAD

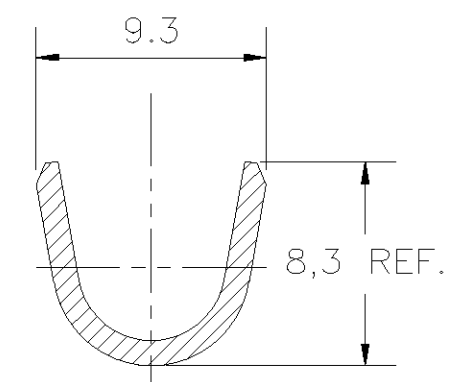
LOC AP
 DIST -

REVISIONS		DATE	DWN	APVD
P	LTR	DESCRIPTION		
A		REDRAWN BY CAD	05JUN03	EGS PLF
B		REVISED BY ECO-05-009017	07SET2005	DCB PLF

DO NOT SCALE



SEÇÃO A-A
 SECTION A-A



SEÇÃO B-B
 SECTION B-B

SL D101-26	ESTANHADO / TIN (B)	LATÃO / BRASS	881003-2								
//	//	LATÃO / BRASS	881003-1								
FORD PN	OTHER TRETMENT	FINISH / ACABAMENTO	MATERIAL								
THIS DRAWING IS A CONTROLLED DOCUMENT.		Tyco Electronics Corporation São Paulo, Brasil									
DIMENSIONS: mm	TOLERANCES UNLESS OTHERWISE SPECIFIED:	RING TONGUE									
0 PLC ± -	1 PLC ± 0,3	<table border="1"> <tr> <td>SIZE</td> <td>CAGE CODE</td> <td>DRAWING NO</td> <td>RESTRICTED TO</td> </tr> <tr> <td>A3</td> <td>00779</td> <td>C=881003</td> <td>-</td> </tr> </table>		SIZE	CAGE CODE	DRAWING NO	RESTRICTED TO	A3	00779	C=881003	-
SIZE	CAGE CODE			DRAWING NO	RESTRICTED TO						
A3	00779			C=881003	-						
2 PLC ± -	3 PLC ± -										
4 PLC ± -	ANGLES ± 1'										
WIRE RANGE 6,0-10,0 mm ²	MATERIAL SEE TABLE VER TABELA	CUSTOMER DRAWING									
INS. RANGE 4,6-6,6 mm	FINISH SEE TABLE VER TABELA	SCALE 1:1	SHEET 1 OF 1								
		REV B									