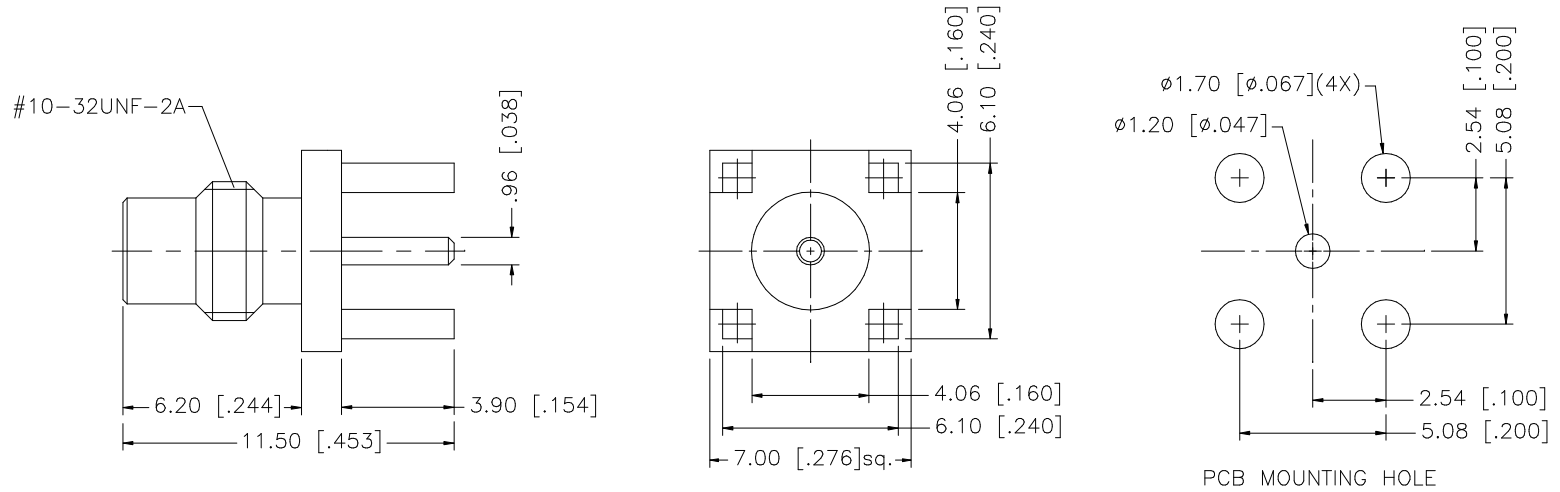


REV.	DATE	DESCRIPTION
NC	07/15/03	INITIAL RELEASE



REV.	DATE	DESCRIPTION
NC	07/15/03	INITIAL RELEASE

8					<small>UNLESS OTHERWISE SPECIFIED DIMENSIONS ARE IN MILLIMETERS. DIMENSIONS IN [] ARE IN INCHES AND FOR CUSTOMER REFERENCE ONLY.</small> <small>UNLESS OTHERWISE SPECIFIED TOLERANCES FOR MILLIMETERS ARE: 0.5 - 8mm ± 0.20mm 8 - 30mm ± 0.40mm 30 - 120mm ± 0.50mm</small> <small>UNLESS OTHERWISE SPECIFIED TOLERANCES FOR INCHES ARE: .020 - .315 = ± 0.007" .315 - 1.180 = ± 0.015" 1.180 - 4.724 = ± 0.020"</small>	APPROVALS	DATE	<h1 style="color: blue;">Amphenol Connex</h1>			
7				DRAWN		G.R.S.	07/15/03				
6				CHECKED							
5				ISSUED							
4				SHEET		1 OF 1		PART DESCRIPTION	SMC P.C. MOUNT JACK		
3	CONTACT PIN	BRASS	GOLD	1				PART NO.	152119		
2	INSULATOR	TEFLON	NATURAL	1				DWG. NO.	152119.DWG		
1	BODY	BRASS	NICKEL	1				REV.	NC		
	DESCRIPTION	MATERIAL	FINISH	QTY	DO NOT SCALE DRAWING	CAD FILE	C:/152/152119.DWG	SIZE	A	SCALE	NA