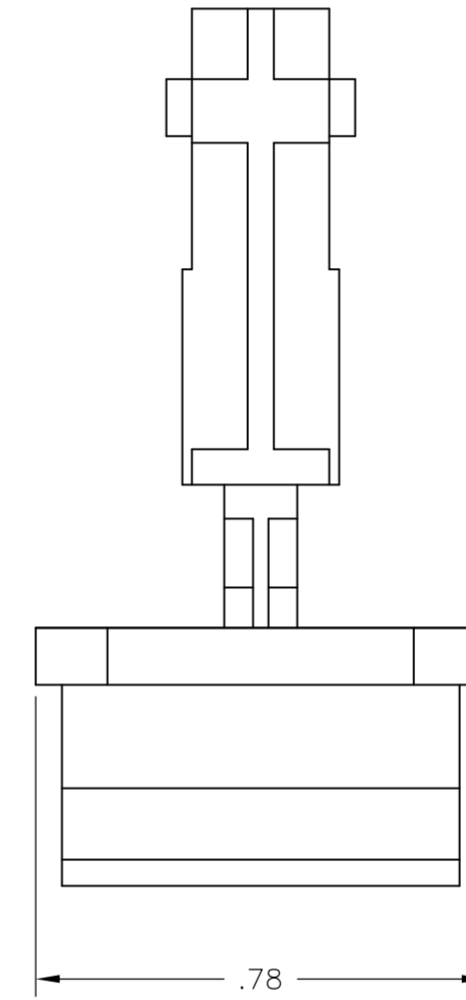
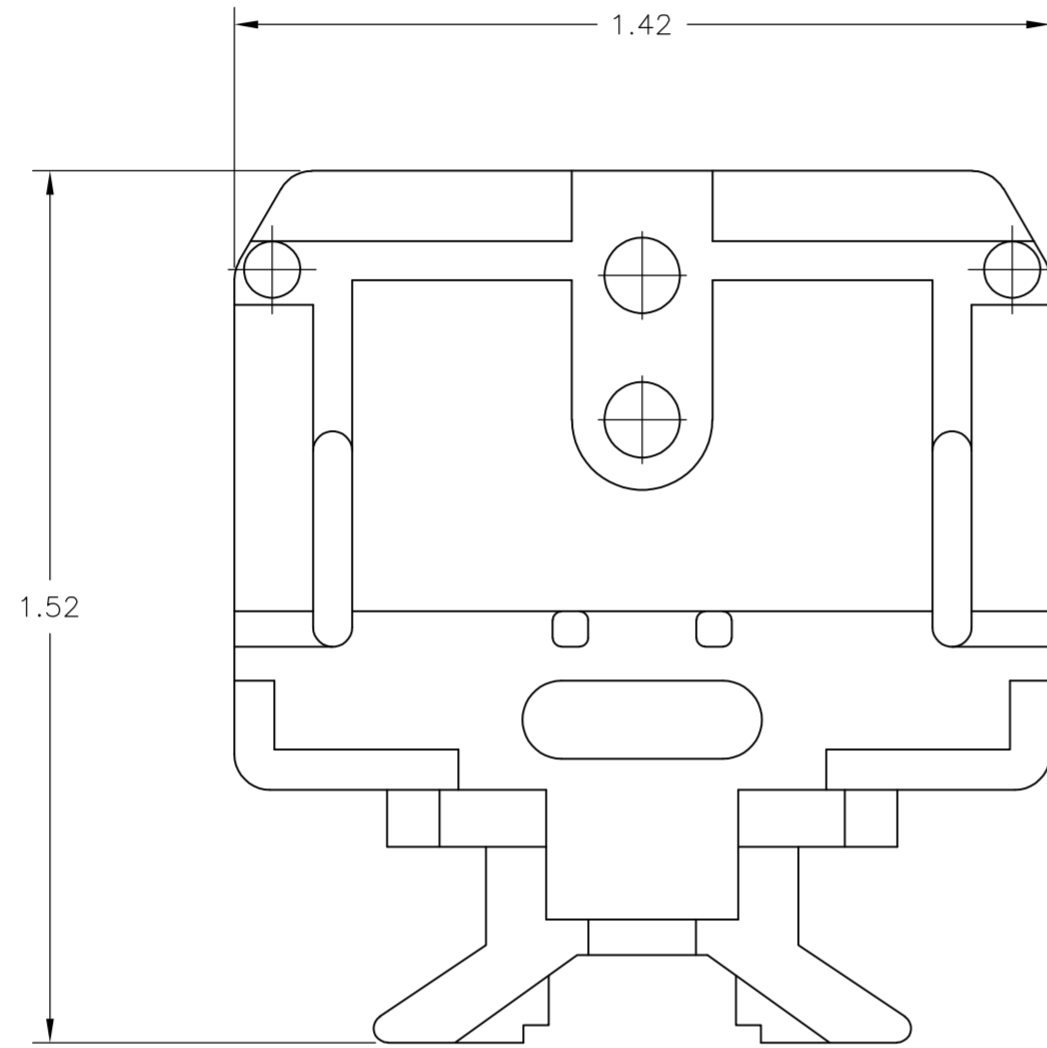


THIS DRAWING IS UNPUBLISHED. RELEASED FOR PUBLICATION
 © COPYRIGHT BY TYCO ELECTRONICS CORPORATION. ALL INTERNATIONAL RIGHTS RESERVED.

LOC	DIST	REVISIONS					
		P	LTR	DESCRIPTION	DATE	DWN	APVD
-	-	A	-		10/23/08	SS	SM

△ MATERIAL: NYLON



2-1437390-5
PART NUMBER

THIS DRAWING IS A CONTROLLED DOCUMENT.		DWN S SCHLEGEL 25JAN2008	Tyco Electronics Corporation Harrisburg, PA 17105-3608	
DIMENSIONS: INCHES		CHK S MACE 10/23/08	NAME HD END SECTION DOVE TAIL BASE 600V	
TOLERANCES UNLESS OTHERWISE SPECIFIED:		APVD S MACE 10/23/08	SIZE A2	CAGE CODE 00779
0 PLC ± - 1 PLC ± - 2 PLC ± .02 3 PLC ± .020 4 PLC ± - ANGLES ± 2°		PRODUCT SPEC - APPLICATION SPEC -	DRAWING NO C=2-1437390-5	RESTRICTED TO -
MATERIAL - △	FINISH -	WEIGHT -	SCALE NTS	SHEET 1 of 1
CUSTOMER DRAWING			REV A	

2-1437390-5