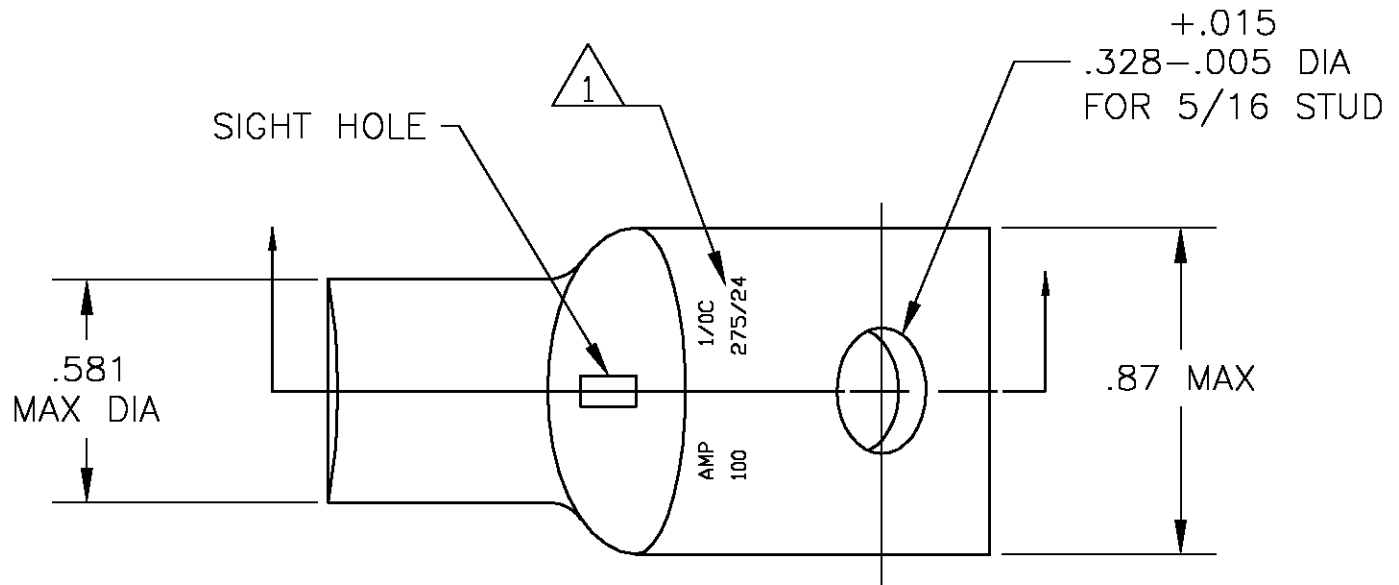
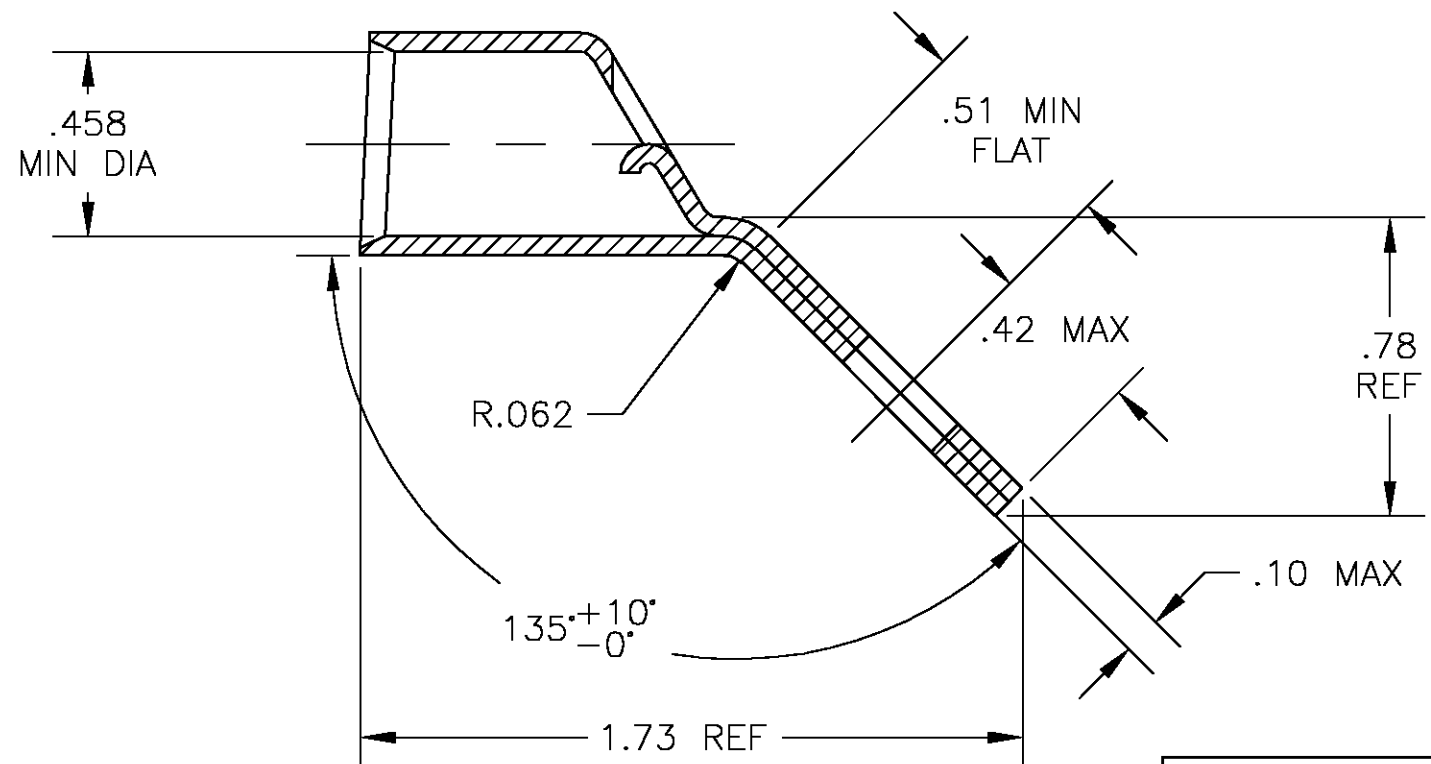


THIS DRAWING IS UNPUBLISHED. RELEASED FOR PUBLICATION
 © COPYRIGHT - BY TYCO ELECTRONICS CORPORATION. ALL RIGHTS RESERVED.

LOC	DIST	REVISIONS			
P	LTR	DESCRIPTION	DATE	DWN	APVD
G	86	A	REL PER ECR 05-004064	06JUN05	JR MS



- 1 STAMP " AMP 1/0C 100 275/24" APPROX AS SHOWN.
- 2 MATERIAL: COPPER PER ASTM B-75, ANNEALED
- 3 FINISH: TIN PLATE .000150 MIN THK PER ASTM B-545
- 4 PREPRODUCTION - FASR REQ



696762-1
PART NO.

AMP INCORPORATED CUSTOMER SERVICE SYSTEMS		MAX RECOMMENDED OPERATING TEMPERATURE: 170°C MAX
FOR ADDITIONAL PRODUCT INFORMATION OR COPIES OF DRAWINGS AND TECHNICAL DOCUMENTS	PRODUCT INFORMATION CENTER 1-800-522-6752	VOLTAGE RATING: N/A
FOR APPLICATION TOOLING INFORMATION	TOOLING ASSISTANCE CENTER 1-800-722-1111	CIRCULAR MIL AREA: 42.41-60.55mm ² [B3,700-119,500] STRANDED
FOR ORDER ENTRY	1-800-526-5142	THIS DRAWING IS A CONTROLLED DOCUMENT FOR AMP INCORPORATED. IT IS SUBJECT TO CHANGE AND THE CONTROLLING ENGINEERING ORGANIZATION SHOULD BE CONTACTED FOR THE LATEST REVISION.

THIS DRAWING IS A CONTROLLED DOCUMENT.	
DIMENSIONS: INCHES	TOLERANCES UNLESS OTHERWISE SPECIFIED:
	0 PLC ± -
	1 PLC ± -
	2 PLC ± -
	3 PLC ± .008
	4 PLC ± -
	ANGLES ± -
MATERIAL	FINISH
- 2	- 3

DWN jr_ruth 14FEB05	 Tyco Electronics Corporation Harrisburg, Pa 17105-3608	NAME	TERMINAL, AMPOWER
CHK MJ SPICER 14FEB05		SIZE	A3
APVD MJ SPICER 14FEB05		CAGE CODE	00779
PRODUCT SPEC		DRAWING NO	C-696762
APPLICATION SPEC	RESTRICTED TO		
WEIGHT			
CUSTOMER DRAWING		SCALE	1:1
		SHEET	1 OF 1
		REV	A