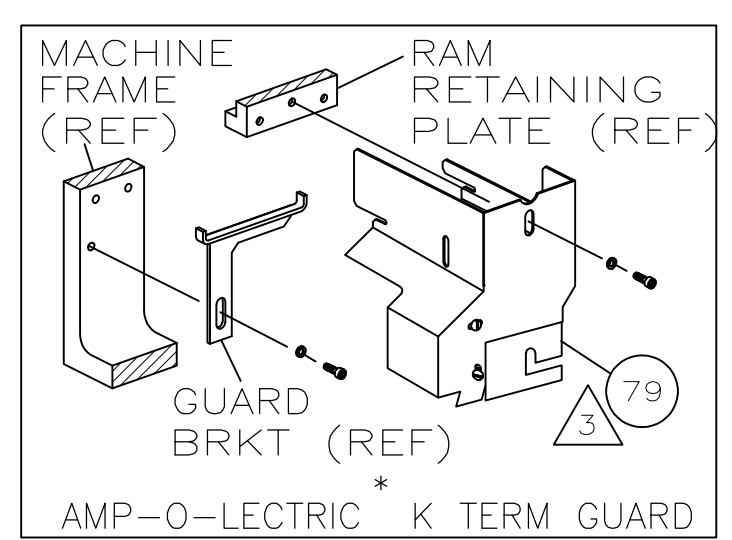


PART NUMBER	REV	FIRST USED
680063-1	C	565435-5



TERMINAL NAME: LOOSE PIECE RESISTOR MOUNTS

RIGHT HAND 345571-1
LEFT HAND 345571-2

TERM APPL SPEC 114-3116

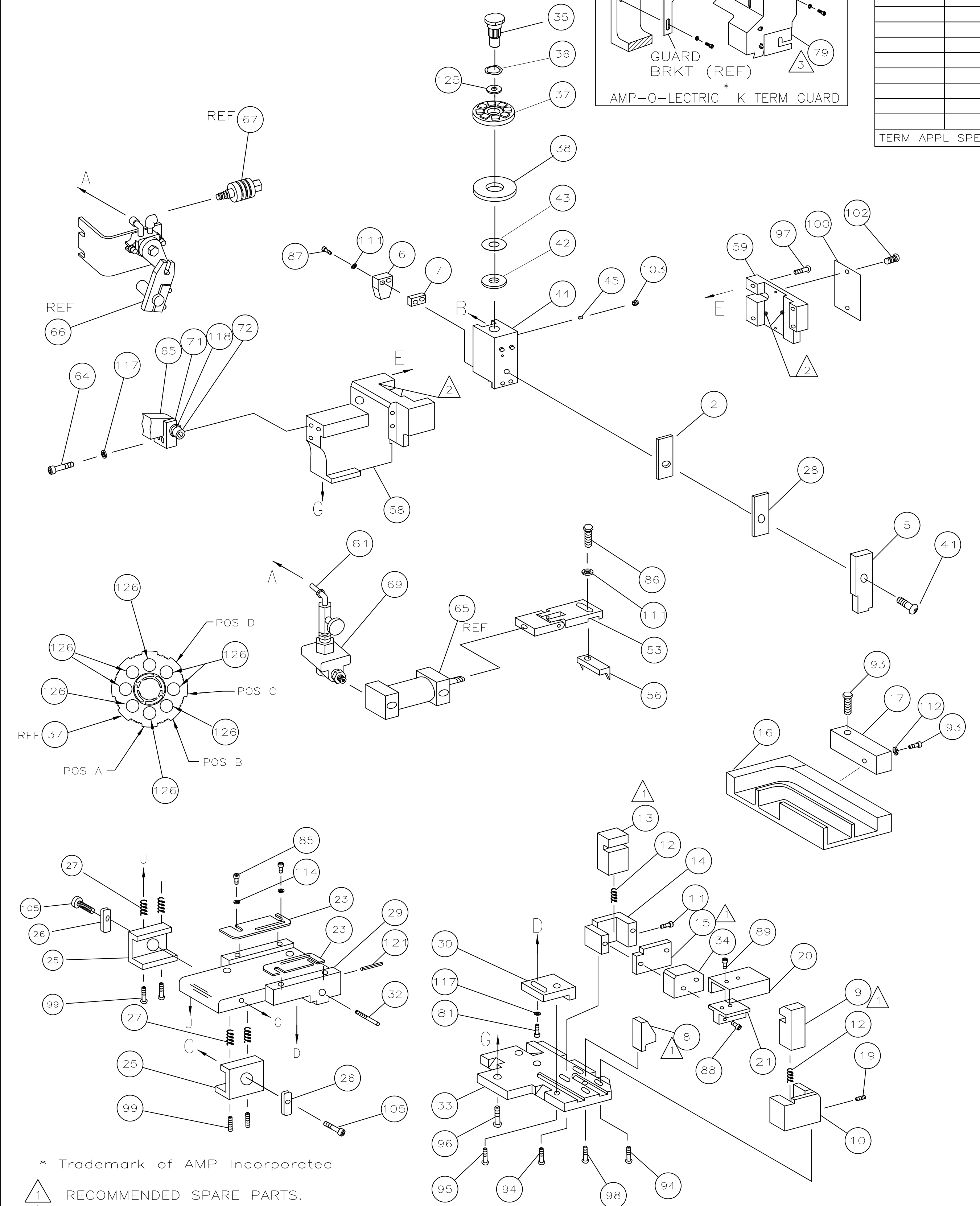
CRIMPING DATA

PAD LTR	CRIMP	SIZE	TYPE	RANGE
A				
B				
C				
D				
WIRE				
INSUL				
FEED .492	APPL INST 408-8040	SET UP GAGE 458637-1	LAYOUT L1547	
WIRE STRIP LENGTH	-			

LOC A DIST 66

REV	DESCRIPTION	DATE	BY	APPV
C	ECR-09-015369	7-2009	MY	GB

-1 BENCH MODEL K AIRFEED



8	-	354779-2	PIN, WIRE DISC (.3000)A	126
1	-	986950-1	WASHER, FLAT PRECISION	125
				124
				123
1	-	4-21028-0	PIN, SLT SPR(Ø.093x.75)ST GDE PL	121
				120
1	-	21024-8	WASHER, LOCK(3/8)BRACKET	118
3	-	21024-5	WASHER, LOCK(#10)ADJ BLOCK	117
				116
				115
4	-	21024-2	WASHER, LOCK(#4)FRONT STP GUIDE	114
				113
1	-	21108-6	WASHER, FLAT(#8)CLAMP	112
3	-	21024-4	WASHER, LOCK(#8)STRIPPER	111
				110
				109
				108
				107
				106
2	-	22353-8	SCR, SHLD(Ø.187x.25)DRAG LEVER	105
				104
1	-	21009-2	SCR, SKT SET(1/4-20x.25 LW)RAM	103
2	-	21017-2	SCR, DRIVE(#2x.19)ID PLATE	102
				101
1	-	461264-1	PLATE, IDENTIFICATION	100
4	-	5-21006-6	SCR, SET(10-32x.75)DRAG	99
1	-	22733-8	SCR, BHC(8-32x.38 LW)SHEAR BLOCK	98
4	-	2-21002-9	SCR, BHC(10-32x.75)CAP	97
3	-	2-22733-8	SCR, BHC(1/4-20x.62)HSG	96
1	-	2-21002-7	SCR, BHC(10-32x.50)SG ADJ BLK	95
4	-	2-21002-2	SCR, BHC(8-32x.50)SHEAR	94
2	-	2-21002-3	SCR, BHC(8-32x.75)CLAMP	93
				92
				91
2	-	1-21000-4	SCR, SHC(4-40x.38)HOLD DOWN	90
2	-	2-21003-2	SCR, FHS(6-32x.75)R SHEAR PLATE	89
2	-	3-21000-1	SCR, SHC(8-32x1.00)DEP-HOLD	87
1	-	2-22603-1	SCR, HEX HD(8-32x.38)FEED FINGER	86
4	-	1-21000-3	SCR, SHC(4-40x.25)F ST GUIDE	85
				84
				83
				82
1	-	3-21000-4	SCR, SHC(10-32x.38)SG ADJ BL	81
				80
1	-	189329-1	GUARD ASSY	79
1	-	460914-1	COVER, FEED CYLINDER	78
1	-	189340-1	GUARD	77
				76
				75
				74
				73
				72
1	-	4-21002-8	SCR, BHC(3/8x1.00)FEED MT	71
1	-	459610-1	MOUNT, FEED BRACKET	70

4	1	-	692655-5	AIR FEED VALVE ASSY	69
					68
					67
REF	-		24042-2	VALVE, SHUT OFF	66
REF	-		692655-6	AIR FEED VALVE ASSY	66
1	-		461065-1	AIR FEED ASSEMBLY	65
2	-		3-21000-9	SCR, SHC 10-32x1.00 AIR ASSY	64
1	-				63
1	-				62
18.00	IN		27319-4	TUBING, POLY-FLO Ø.25	61
					60
1	-		454220-1	CAP, RAM	59
1	-		454485-1	HOUSING	58
					57
1	-		122546-1	PAWL, FEED	56
					55
					54
4	1	-	461062-1	FEED FINGER ASSY	53
					52
					51
					50
					49
					48
					47
					46
1	-		690191-1	PLUG, NYLON	45
1	-		455673-1	RAM	44
1	-		690125-1	WASHER, LAMINATED	43
1	-		690124-1	WASHER, RAM	42
1	-		7-21002-9	BOLT, CRIMPER(5/16x1.00)	41
					40
					39
1	-		690223-2	SPACER, INSULATION DISC	38
1	-		354777-1	WIRE DISC, PLASTIC	37
1	-		22480-5	WASHER, SPRING	36
1	-		690212-1	POST, RAM	35
1	-		122598-1	TERMINAL SUPPORT	34
1	-		455675-1	PLATE, BASE	33
1	-		690432-3	SCREW, ADJUSTMENT	32
					31
1	-		455689-1	BLOCK, STRIP GUIDE ADJ	30
1	-		122597-1	PLATE, STRIP GUIDE	29
1	-		1-455888-7	SPACER, FRONT SHEAR DEP	28
4	-		1-22284-0	SPRING, DRAG	27
2	-		240793-1	LEVER, DRAG RELEASE	26
2	-		240792-1	DRAG, TERMINAL	25
-	-				24
2	-		122587-1	GUIDE, STRIP (FRONT & REAR)	23
-	-				22
1	-		189331-1	SUPPORT, HOLD DOWN	21
1	-		189326-1	HOLD DOWN, TERMINAL	20
1	-		1-690461-5	STOP, SHEAR	19
6	1	-	189207-1	BRACKET, HOLD DOWN	18
1	-		189206-1	CLAMP, CHUTE	17
1	-		189182-1	CHUTE, TERMINAL	16
1	-		1-690464-1	PLATE, SHEAR (REAR)	15
1	-		681023-1	HOLDER, SHEAR (REAR)	14
1	-		122584-1	SHEAR, FLOAT (REAR)	13
2	-		3-22280-3	SPRING, SHEAR	12
1	-		690461-1	STOP, SHEAR	11
1	-		679625-1	HOLDER, SHEAR (FRONT)	10
1	-		122582-1	SHEAR, FLOAT (FRONT)	9
1	-		122589-1	BLOCK, SHEAR	8
1	-		7-240641-6	SPACER, DEPRESSOR (REAR)	7
1	-		690468-1	DEPRESSOR, SHEAR (REAR)	6
1	-		455889-9	DEPRESSOR, SHEAR (FRONT)	5
					4
					3
					2
1	-		2-455888-9	SPACER, CRIMPER	1

- * Trademark of AMP Incorporated
- 1 RECOMMENDED SPARE PARTS.
- 2 GREASE LIGHTLY.
- 3 GUARD MUST BE IN PLACE WHEN OPERATING APPLICATOR IN A BENCH MACHINE.
- 4 SEE DRAWING FOR COMPONENTS
- 5 THIS APPLICATOR DOES NOT SHEAR THE CARRIER STRIP.
- 6 NOT SHOWN
- 7 TERMINAL 345571-1 MUST BE RUN WITH CARRIER STRIP TO THE REAR OF APPLICATOR
- 8 TERMINAL 345571-2 MUST BE RUN WITH CARRIER STRIP TO THE FRONT OF APPLICATOR
- 9 TERMINAL CHUTE (ITEM 16) IS PLACED TO THE RIGHT OF ITEMS 8, 10, 14, 15, & 34 AT AN APPROXIMATE 15° ANGLE & IS SECURED BY CLAMP (ITEM 17) TO BRACKET (ITEM 18)

QTY REQD PER ASSY		PARTS LIST		QTY REQD PER ASSY		PARTS LIST	
THIS DRAWING IS A CONTROLLED DOCUMENT.				DIMENSIONS: INCHES TOLERANCES UNLESS OTHERWISE SPECIFIED: 0 PLC ± .0005 1 PLC ± .0005 2 PLC ± .0005 3 PLC ± .0005 4 PLC ± .0005 ANGLES ± .0005			
MATERIAL		FINISH		DWN P. MATHIAS 1/6/94 CHK C. FERISMAN 1-12-94 APVD B. WOLFF 1-12-94 NAME Tyco Electronics Corporation Harrisburg, PA 17105-3608		SIDE FEED HDM APPLICATOR APPLICATION SPEC SIZE CAGE CODE DRAWING NO A1 00779 C=680063	
CUSTOMER DRAWING				SCALE - SHEET 1 OF 1 REV C			