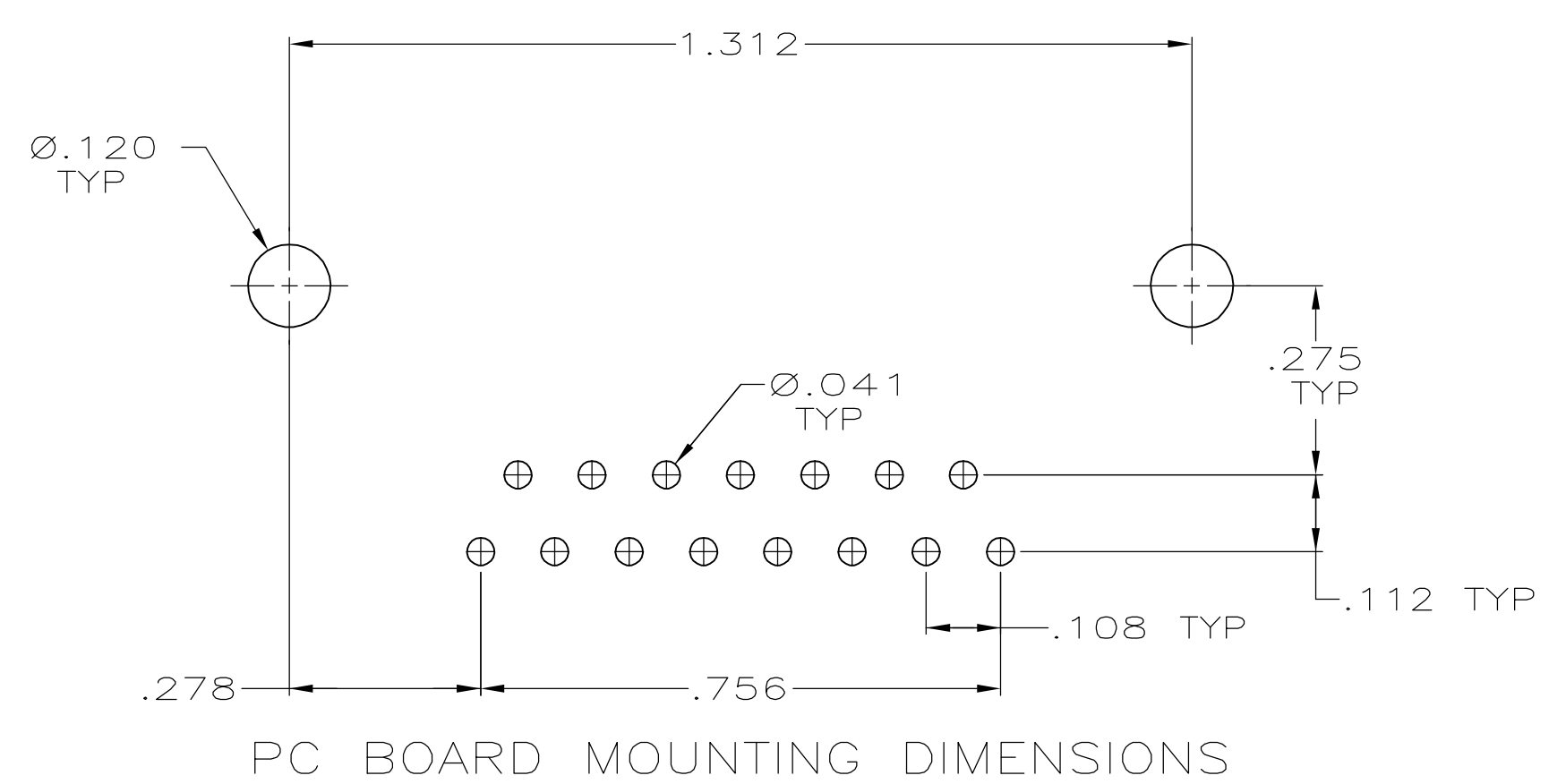
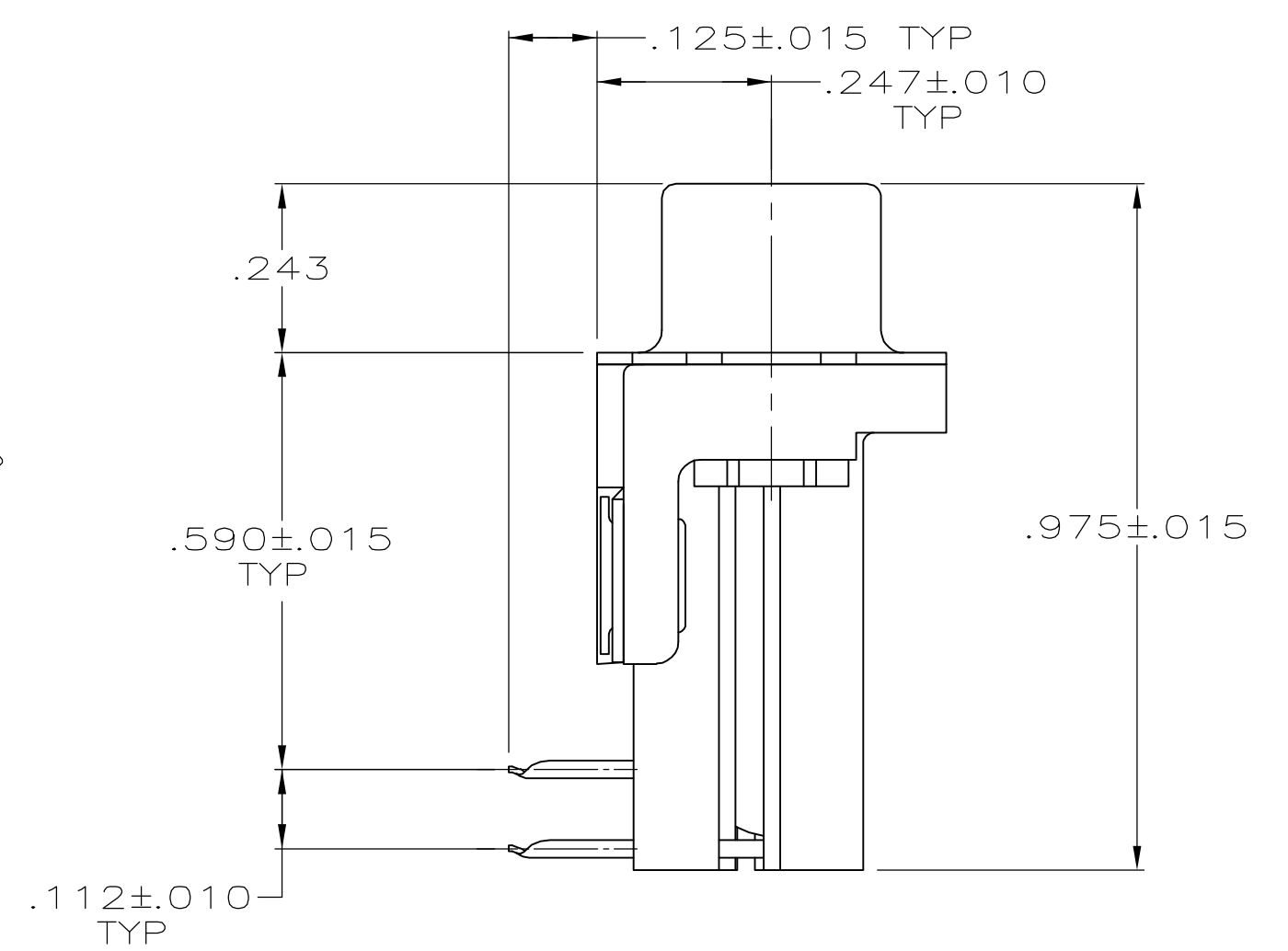
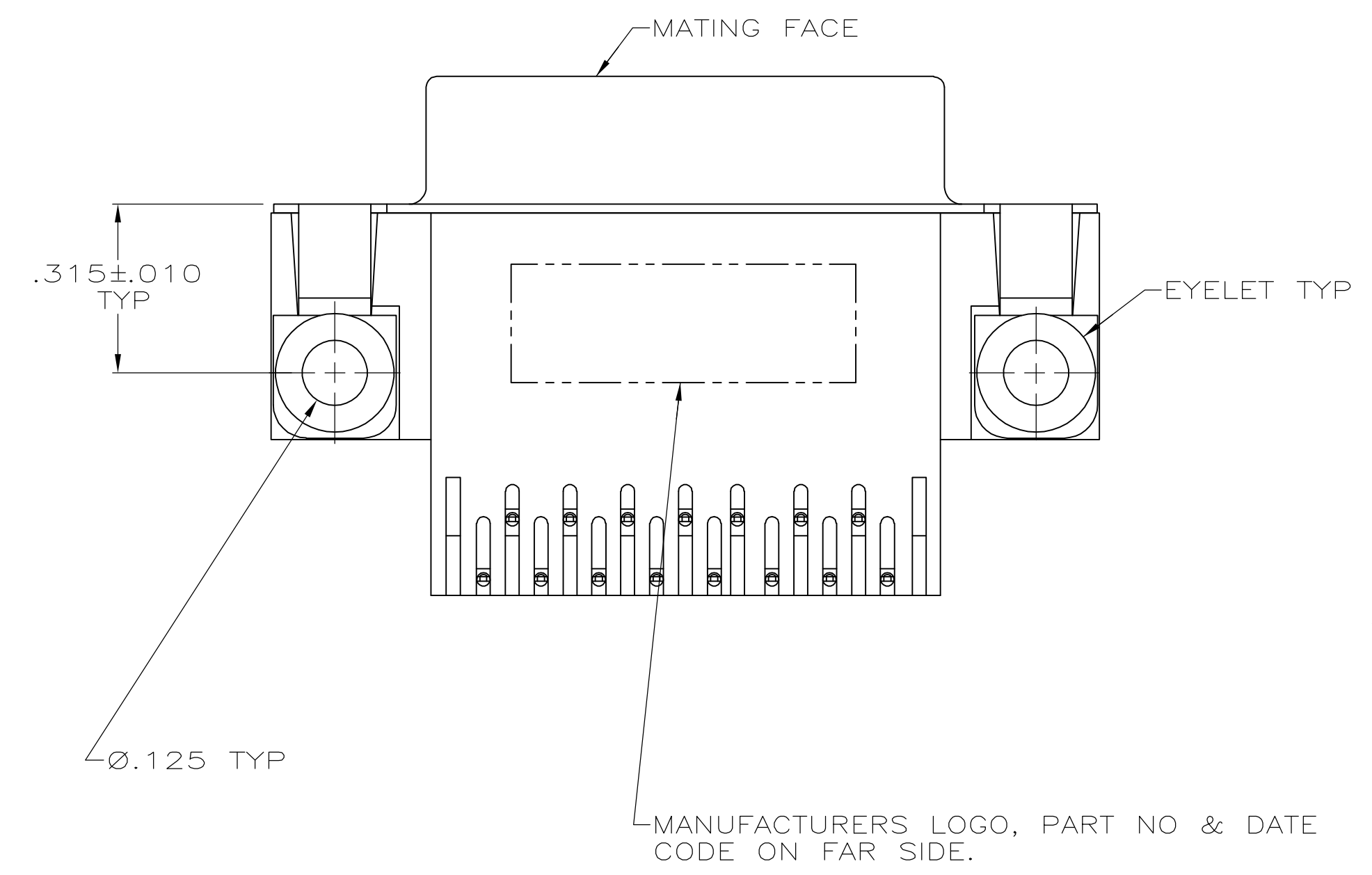


- ① MOLDED PARTS: FLAME RETARDANT 94V-0 RATED THERMOPLASTIC, BLACK.  
 SHELL: CARBON STEEL  
 CONTACTS: PHOSPHOR BRONZE  
 EYELETS: BRASS  
 INSERTS: ZINC
- ② SHELL: .000100 MIN TIN OVER .000050 MIN COPPER.  
 CONTACTS: .000030 MIN GOLD FOR A DISTANCE OF .100 MIN FROM  
 MATING END, .000100 MIN TIN  
 ON SOLDER POST, ALL OVER .000050 MIN NICKEL.  
 EYELETS: .000100 MIN COPPER OVER COPPER FLASH.  
 INSERTS: CLEAR CHROMATE



5745984-4  
 PART NUMBER

**COPYRIGHT 2005  
 TYCO ELECTRONICS CORP  
 ALL RIGHTS RESERVED**

THIS DRAWING IS A CONTROLLED DOCUMENT.		DIN A. FERNANDEZ-DOCKS 04-07-05		Tyco Electronics Corporation Harrisburg, PA 17105-3608	
DIMENSIONS: INCHES		CHK S. BOLASH 04-07-05		APVD M. WALMSLEY 04-07-05	NAME RCPT ASSY, SIZE 2, RTANG, W/FRONT METAL SHELL, .026 DIA POSTS, AMLPIMITE HD-20 (.590 FOOTPRINT) SHORT LEG
TOLERANCES UNLESS OTHERWISE SPECIFIED:		PRODUCT SPEC 108-40025		APPLICATION SPEC	
0 PLC ± -		114-40010		SIZE A1	
1 PLC ± -		100779		DRAWING NO 5745984	
2 PLC ± -		CUSTOMER DRAWING		RESTRICTED TO	
3 PLC ± .005		SCALE 4:1		SHEET 1 OF 1	
4 PLC ± -		REV 0			
ANGLES ± °					
MATERIAL					
FINISH					