

Series EM2115 Series

Pluggable Terminal Block with Flanges;
(Mates with EM2215 Series);5.00 Centers

SPECIFICATIONS:

- Rating:** 16A, 300V
- Center Spacing:** 0.197" (5.00mm)
- Wire Range:** #12-24 AWG
- Housing Material:** UL rated 94V0 Thermoplastic
- Contact Material:** Tin-Plated Phosphor Bronze
- Screw Size:** M2.6 Nickel-Plated Steel
- Operating Temperature:** 105°C (221°F) max., -55°C (-67°F) min.
- Torque Rating:** 7.0 lb-in.
- Construction:** Mold-to-Length
- Agency Information:** File E62622; CE Certified

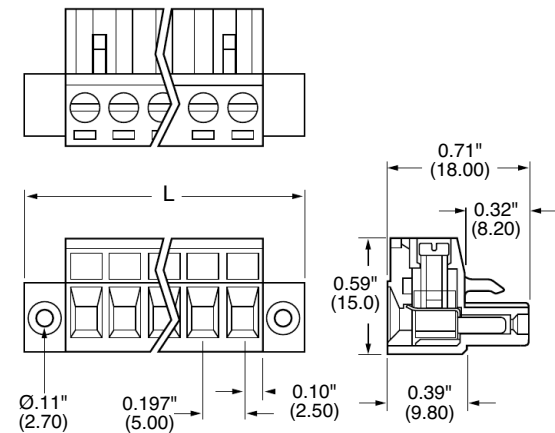


EM211514VL

| Poles | L (mm) | L (Inch) | Poles | L (mm) | L (Inch) |
|-------|--------|----------|-------|--------|----------|
| 2 | 20.0 | 0.787 | 13 | 75.0 | 2.952 |
| 3 | 25.0 | 0.984 | 14 | 80.0 | 3.149 |
| 4 | 30.0 | 1.181 | 15 | 85.0 | 3.346 |
| 5 | 35.0 | 1.378 | 16 | 90.0 | 3.543 |
| 6 | 40.0 | 1.575 | 17 | 95.0 | 3.740 |
| 7 | 45.0 | 1.772 | 18 | 100.0 | 3.937 |
| 8 | 50.0 | 1.969 | 19 | 105.0 | 4.133 |
| 9 | 55.0 | 2.165 | 20 | 110.0 | 4.330 |
| 10 | 60.0 | 2.362 | 21 | 115.0 | 4.527 |
| 11 | 65.0 | 2.559 | 22 | 120.0 | 4.724 |
| 12 | 70.0 | 2.756 | | | |

Dimensions - in (mm)

HORIZONTAL



VERTICAL



Terminal Blocks: Single Row

EuroMag Series Plug & Header

Edge Connectors, One-Sided Boards

Compliance References

Part Numbering System

Inches (Millimeters)

| | | | |
|---------------|---|--------------------------------|--|
| Series | # of Poles | Orientation | Wire Entry |
| EM2115 | <input type="checkbox"/> <input type="checkbox"/> | <input type="checkbox"/> | <input type="checkbox"/> |
| | 02 to 22 | V - Vertical H - Horizontal | L - Left wire entry R - Right wire entry (specify for V orientation) |

Mating Header: EM2215 pg. 95