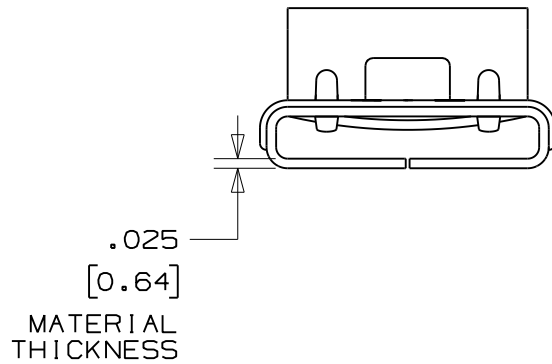
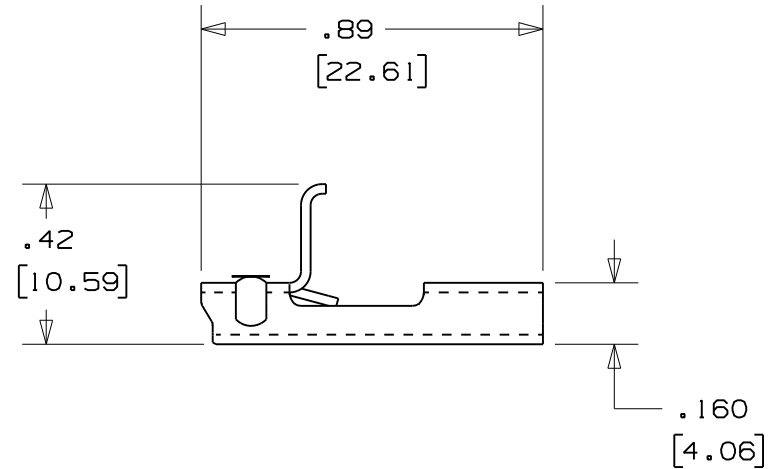
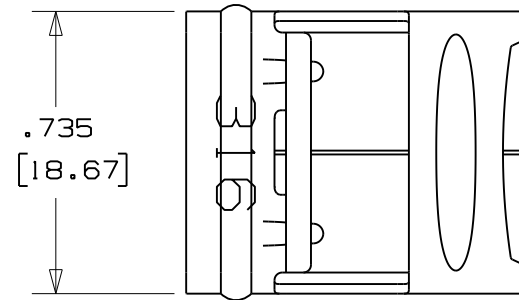


Ⓐ

- NOTES: 1. FOR USE WITH PANDUIT MS63T15-CR4 & MS63T15-CR6 CONTINUOUS STRAPPING.
2. APPLICATION TOOL: BT2MS75, BT2HT
3. DIMENSIONS IN BRACKETS [ ] ARE IN MILLIMETERS
4. UNLESS OTHERWISE SPECIFIED TOLERANCES ARE:  
 .XX = ±.02 [ .5 ]  
 .XXX = ±.010 [ .25 ]
5. MATERIAL: 304 OR 316 STAINLESS STEEL



N41149BS\_DC/02A

|     |       |      |     |  |       |     |      |  |
|-----|-------|------|-----|--|-------|-----|------|--|
| 02A | 10/08 | JAMB | SKB | ORIG CAD FILE SPEC WAS S41149_02<br>NOTE 2: APPLICATION TOOL BT1HT REPLACED BY BT2HT                             |       |     |      | <p>TINLEY PARK, ILLINOIS</p> <p>.625 in [15.88] ENHANCED METAL STRAPPING BUCKLE<br/>MSBW63-C4 &amp; MSBW63-C6<br/>CUSTOMER DRAWING</p> |
| 02  | 10/04 | JAMB | EJD | Ⓑ STRAPPING PART NO'S. IN TITLE BLOCK CHANGED TO BUCKLE PART NO'S. DUE TO A TYPING ERROR.                        | 12067 |     |      |  |
| 01  | 9/04  | JAMB | EJD | Ⓐ VOIDED PART NO'S. MS625X15-TSR & MS625X15-TSR316 & REPLACED BY PART NO'S. MS63T15-CR4 & MS63T15-CR6 ON NOTE 1. | 12052 | CCH | JJB  |  |
| 00  | 9/03  | BRH  | EJD | RELEASED   | 11154 | CCH | JJB  |  |
| REV | DATE  | BY   | CHK | DESCRIPTION  | ECN # | PM  | CUST | DRAWN BY BRH<br>CHK'D EJD<br>SCALE 2X<br>DRAWING NO. N41149BS_DC   |