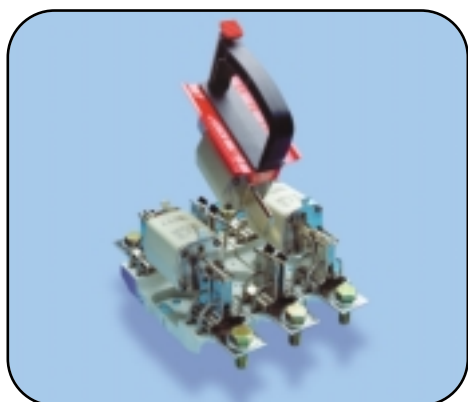


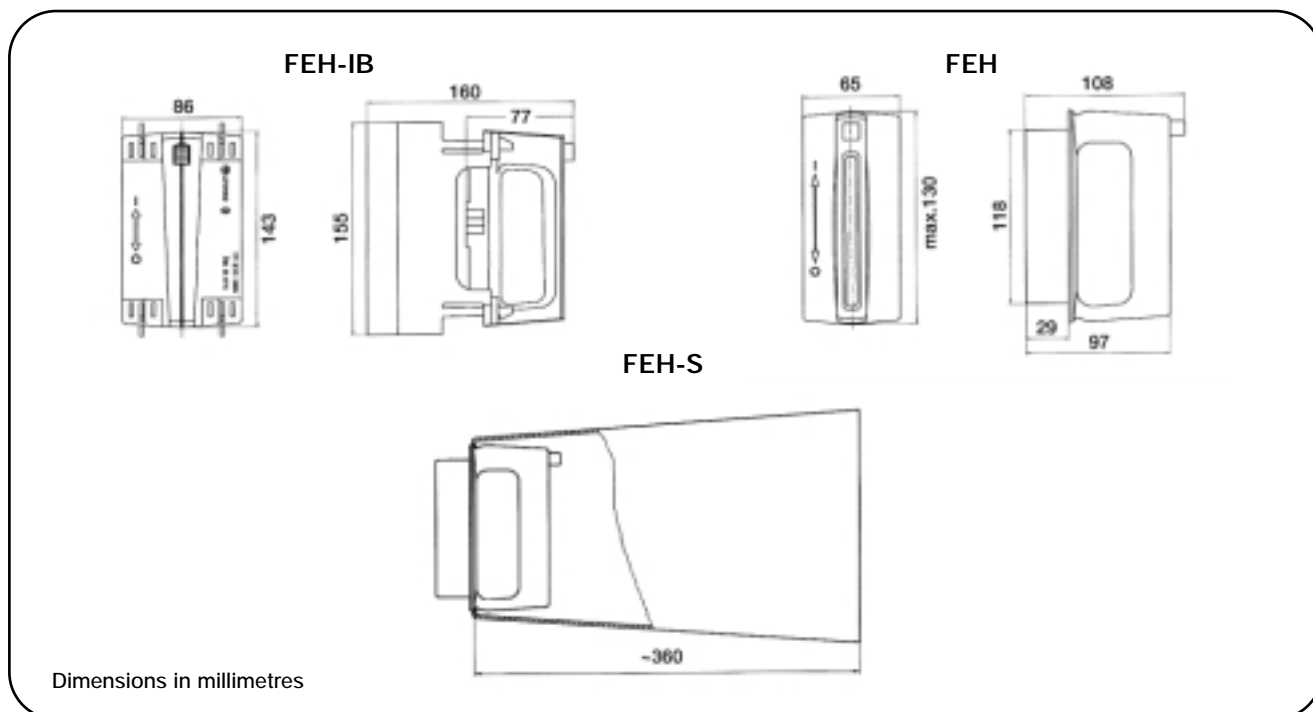
Fuse Extraction Handle



- For use with size C00 to Size 3 fuselinks
- Rated at 690Vac
- Approved to IEC 60269

1 FUSE EXTRACTION HANDLE TECHNICAL DATA

Part Number	FEH	FEH-IB	FEH-S
	Basic Handle	With Insulated Barriers	Sleeved
Size of Fuselinks to be used with	C00, 00, 0, 01, 1, 02, 2, 03, 3		
Insulating Voltage	690A ac		
Resistance to Climatic Conditions	Normal and Tropical		
Weight	0.220 kg	0.520 kg	0.520 kg
Packaging	1 piece per carton		



END BARRIERS

- Material: fibreglass
- Resistant to tropical climate
- End barriers weight
- All 3 pole fuses bases come with partition barriers for either side of the middle phase

1 FUSE BASE TECHNICAL DATA

End Partition Part Number	Fuse Base	Weight (kg)
EPB00	for TB00	0,022 kg
EPB1	for TB1	0,056 kg
EPB2	for TB2	0,068 kg

