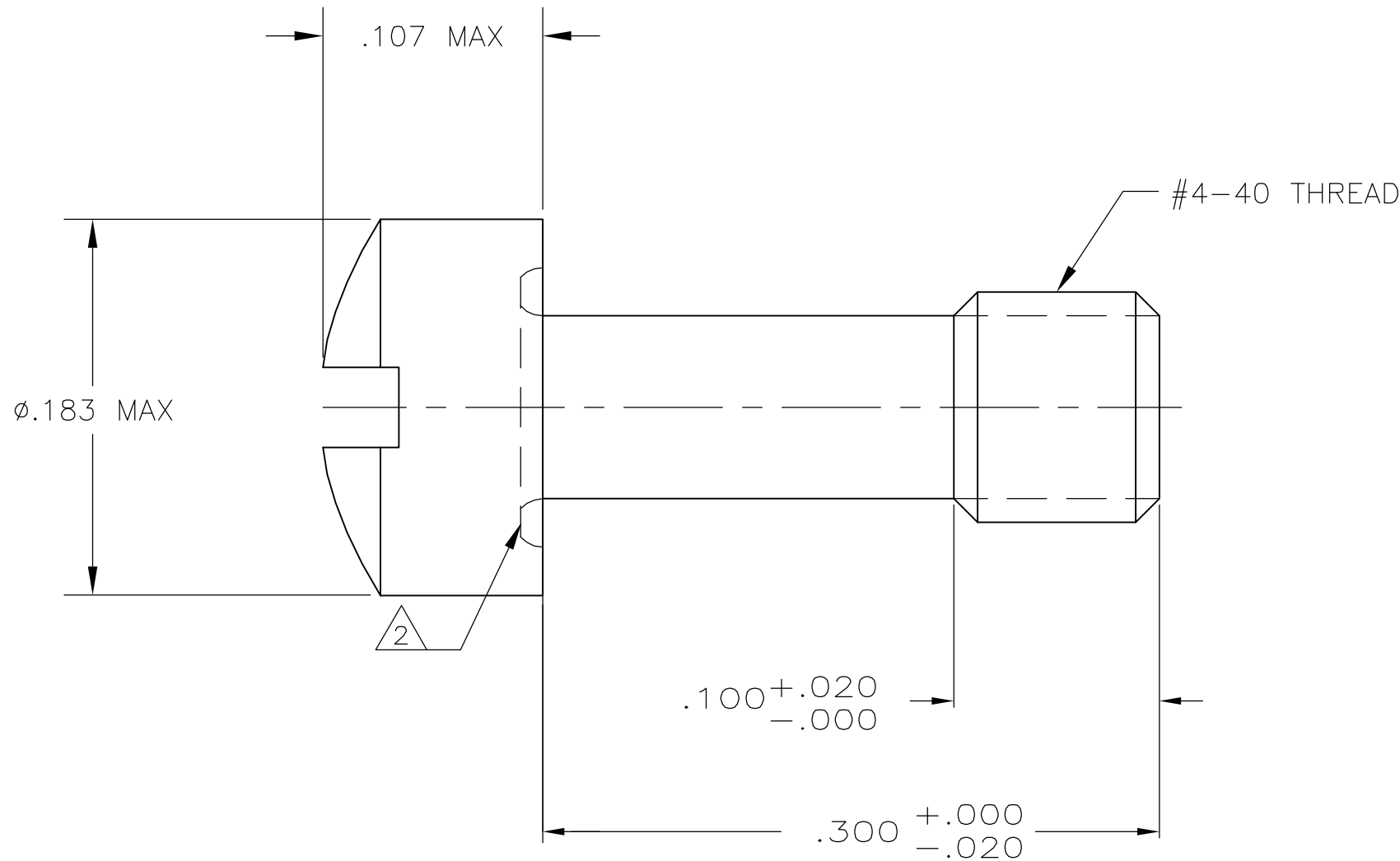


THIS DRAWING IS UNPUBLISHED. RELEASED FOR PUBLICATION 10AUG, 10AUG05
 © COPYRIGHT - BY TYCO ELECTRONICS CORPORATION. ALL RIGHTS RESERVED.

LOC	DIST	REVISIONS					
GP	00	P	LTR	DESCRIPTION	DATE	DWN	APVD
			A	REVISED PER EC 0S13-0349-05	17AUG05	JG	JG

- ① ZINC PLATED .000200-.000400 THICK, CLEAR CHROMATE COATING.
- ② UNDERCUT MAY OR MAY NOT BE PRESENT IN THIS AREA.



5746879-1
PART NO

THIS DRAWING IS A CONTROLLED DOCUMENT.		DWN B. LATTUCA 08AUG05	Tyco Electronics Corporation Harrisburg, Pa 17105-3608		
DIMENSIONS: INCHES		CHK C. ROHDE 08AUG05			
		APVD M. WALMSLEY 08AUG05	NAME SCREW, FILLISTER HEAD		
TOLERANCES UNLESS OTHERWISE SPECIFIED:		PRODUCT SPEC	-		
0 PLC ± -		APPLICATION SPEC	-		
1 PLC ± -		WEIGHT	-		
2 PLC ± -		SIZE	A3	CAGE CODE	00779
3 PLC ± -		DRAWING NO	C-5746879		RESTRICTED TO
4 PLC ± -		CUSTOMER DRAWING			
ANGLES ± -		SCALE	NTS		SHEET 1 OF 1
MATERIAL STEEL		FINISH ①	REV A		