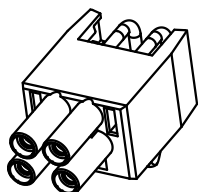
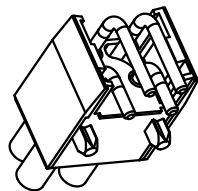
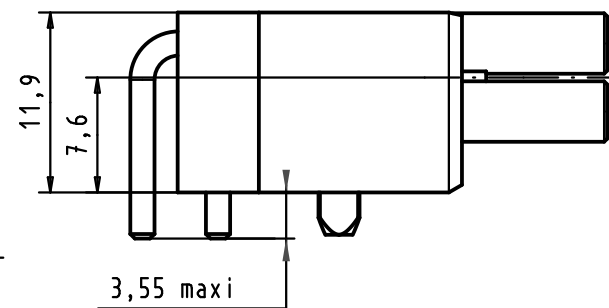
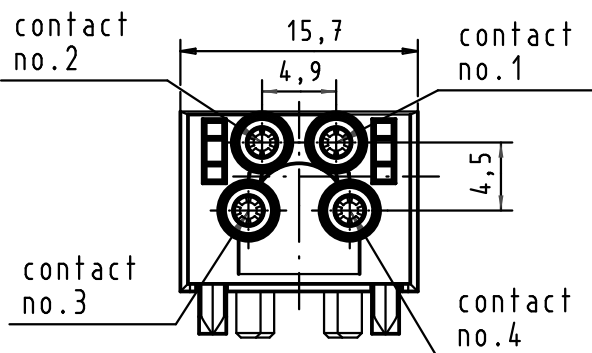
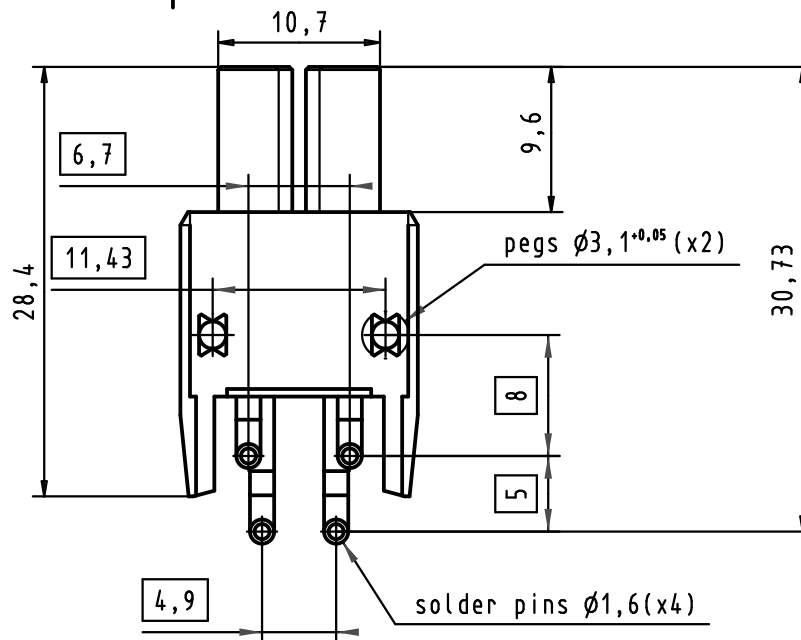


PC-Board layout
for panel maxi thickness 3,5mm
View component side



Scale 1:1

				Dot.	Name	 All Dim. in mm Orig. Size DIN A 4	HAN Push Pull S Power 4 poles 48V/12A solder insert	Maßstab/ Scale 2:1	
				Detail.	25/feb/07				BD
				Insp.					
				Stand.					
33945	25/feb/07	BD	HARTING EURL F-95972 Paris				TB 09 46 500 4400	Blatt/ Page 1 / 1	
Mod.	Dot.	Name							Sub.