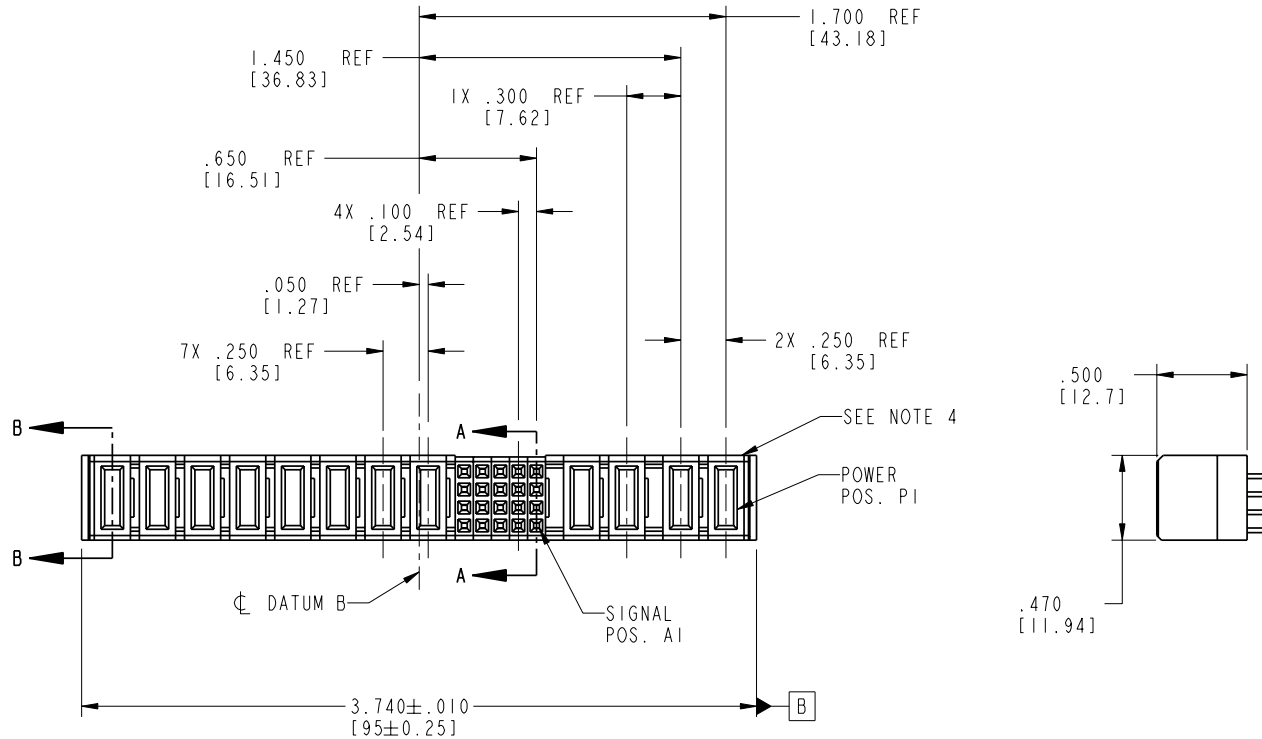


Tous droits strictement reserves. Reproduction ou communication a des tiers interdite sous quelque forme que ce soit sans autorisation écrite du propriétaire. Propriete de c FCI. Droits de reproduction FCI.

All rights strictly reserved. Reproduction or issue to third parties in any form without written authority from the proprietor. Property of FCI. Copyright FCI.

PRODUCT NO.	ROW S	POWER								SIGNAL				POWER				
		P12	P11	P10	P9	P8	P7	P6	P5	5	4	3	2	1	P4	P3	P2	P1
51940-188-- NOTE ③	D C B A	PA	PA	PA	PA	PA	PA	PA	PA	EE	EE	EE	EE	EE	PA	PA	PA	PA



CODE	DIM "M" MATING LENGTH		CONTACT TYPE
E	N/A	[N/A]	SIGNAL
PA	.042	[1.07]	POWER

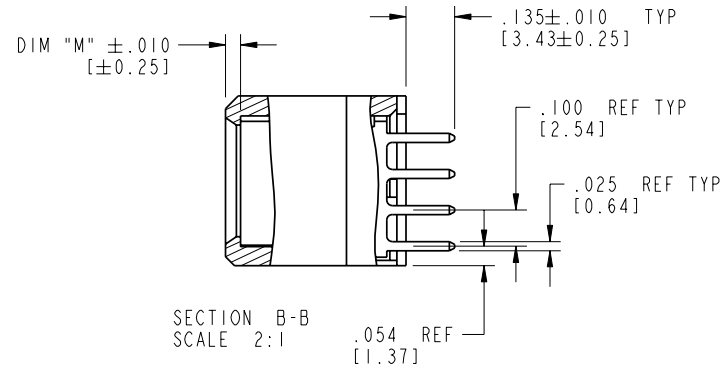
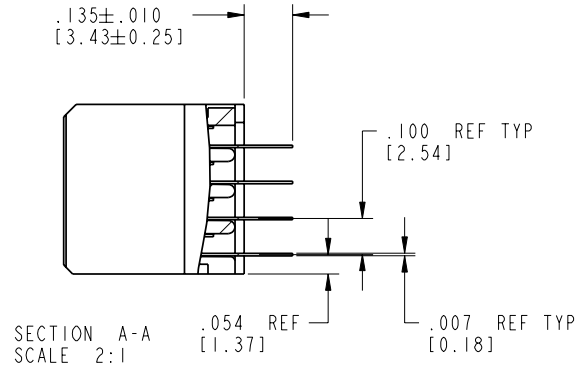
mat'l code				SEE NOTE 2		tolerances unless otherwise specified		CUSTOMER		 www.fciconnect.com	
lir	ecn no.	dr	date	linear	.XX±.01/0.X±0.3	COPY		projection		title	
A	DG06-0137	RYAN	03/29/06		.XXX±.005/0.XX±0.13	INCH/MM				4P + 20S + 8P	
				angles	.XXX±.002/0.XXX±0.051	scale				VERTICAL STB RECEPT	
				dr	RYAN YUAN 03/29/06	1:1		product family		PwrBlade	
				enrg	SALLY LUO 03/29/06			size		213	
				chr	BEER FU 03/29/06			dwg no		51940-188	
				appd	JOSEPH HSIA 03/29/06			sheet		1 of 4	
sheet index	revision	A	A	A	A			cage code		22526	
	sheet	1	2	3	4						

Tous droits strictement reserves. Reproduction ou communication a des tiers interdite sous quelque forme que ce soit sans autorisation écrite du propriétaire. Propriete de c FCI. Droits de reproduction FCI.



All rights strictly reserved. Reproduction or issue to third parties in any form whatever is not permitted without written authority from the proprietor. Property of FCI. Copyright FCI.

PRODUCT NUMBER
51940-188--
NOTE ③



mat'l code				SEE NOTE 2		tolerances unless otherwise specified		CUSTOMER		 www.fciconnect.com	
lfr	ecn no.	dr	date	linear	.XX±.01/0.X±0.3	COPY		projection		title	
A					.XXX±.005/0.XX±0.13					4P + 20S + 8P	
				angles	.XXX±.002/0.XXX±0.051					VERTICAL STB RECEPT	
				dr	0°±2°	RYAN YUAN 03/29/06		INCH/MM		product family PwrBlade code	
				engr		SALLY LUO 03/29/06		scale		size	
				chr		BEER FU 03/29/06		1:1		dwg no	
				appd		JOSEPH HSIA 03/29/06				51940-188	
sheet index		revision sheet								213	
										sheet 2 of 4	

cage code 22526

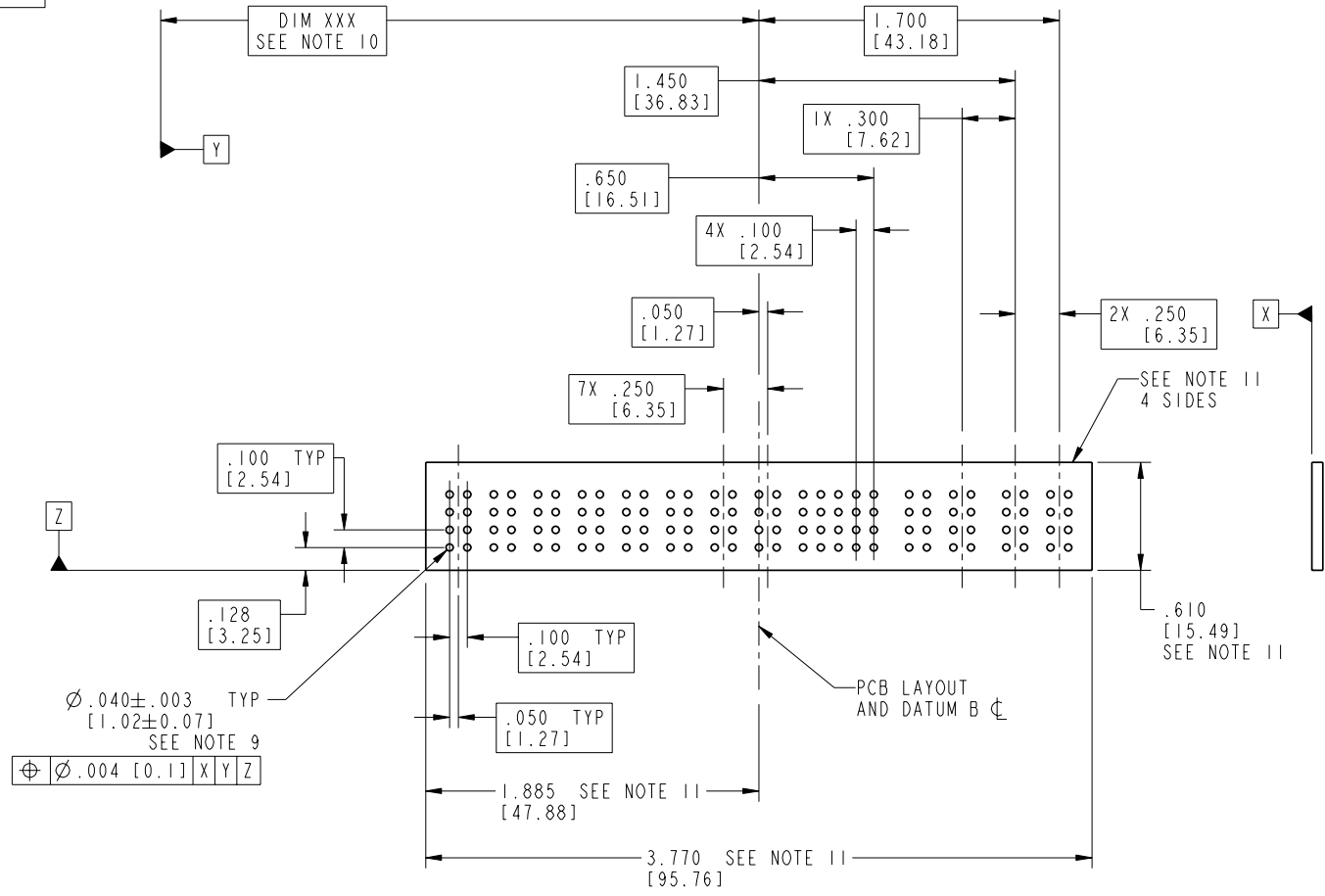
Pro/E

Tous droits strictement réservés. Reproduction ou communication à des tiers interdite sans quelque forme que ce soit sans autorisation écrite du propriétaire. Propriété de c FCI. Droits de reproduction FCI.



All rights strictly reserved. Reproduction or issue to third parties in any form whatsoever is not permitted without written authority from the proprietor. Property of FCI. Copyright FCI.

PRODUCT NUMBER
51940-188--
NOTE ③



⊕ Ø.040 ± .003 [1.02 ± 0.07] TYP SEE NOTE 9
⊕ X | Y | Z

mat'l code		SEE NOTE 2		tolerances unless otherwise specified		CUSTOMER		 www.fciconnect.com	
lir	ecn no.	dr	date	linear	.XX±.01/0.X±0.3	projection		title	4P + 20S + 8P
A					.XXX±.005/0.XX±0.13	INCH/MM		VERTICAL STB RECEPT	
				angles	.XXX±.002/0.XXX±0.051	scale	1:1	product family	PwrBlade
				dr	RYAN YUAN 03/29/06	size	A	code	213
				enrg	SALLY LUO 03/29/06	dwg no	51940-188	sheet	3 of 4
				chr	BEER FU 03/29/06				
				appd	JOSEPH HSIA 03/29/06				
sheet index	revision sheet								

cage code 22526

Pro/E

Tous droits strictement réservés. Reproduction ou communication à des tiers interdite sous quelque forme que ce soit sans autorisation écrite du propriétaire. Propriété de c FCI. Droits de reproduction FCI.



All rights strictly reserved. Reproduction or issue to third parties in any form whatever is not permitted without written authority from the proprietor. Property of FCI. Copyright FCI.

1 | 2

3 |

4

PRODUCT NUMBER
51940-188--
NOTE ③

NOTES:

1. DIMENSIONS AND TOLERANCES ARE IN ACCORDANCE WITH ASME Y14.5M, 1994 UNLESS OTHERWISE SPECIFIED.

CONNECTOR NOTES:

② HOUSING MATERIAL: UL 94 V-0 GLASS FILLED HIGH-TEMP THERMOPLASTIC
POWER CONTACT MATERIAL: COPPER ALLOY
SIGNAL PIN MATERIAL: COPPER ALLOY

③ PLATING:
SEE PRINT 10064183 FOR PLATING SPEC OF 51940-188; 51940-188LF

④ MANUFACTURER'S NAME, P/N, AND DATE CODE TO APPEAR ON THIS SURFACE.

5. PRODUCT SPECIFICATION GS-12-149.
APPLICATION SPECIFICATION BUS-20-067.

6. PACKAGED IN TRAYS.

PCB NOTES:

7. ALL HOLE DIAMETERS ARE FINISHED HOLE SIZE.

⑧ MOUNTING HOLES, WHERE APPLICABLE, ARE UNPLATED.

⑨ $\varnothing .0453 \pm .0010$ [1.151 \pm 0.025] DRILLED HOLES PLATED WITH
.0003 [0.008] MIN SnPb OVER .001 [0.03]
TO .003 [0.08] Cu PLATING TO ACHIEVE
 $\varnothing .040 \pm .003$ [1.02 \pm .07] HOLE.

⑩ "DIM XXX" TO BE DETERMINED BY THE CUSTOMER.

⑪ CONNECTOR KEEP-OUT ZONE.

A

A

B

B

mat'l code				SEE NOTE 2		tolerances unless otherwise specified		CUSTOMER		A FCI www.fciconnect.com	
lfr	ecr no.	dr	date	linear	.XX±.01/0.X±0.3	COPY		projection		title	
A					.XXX±.005/0.XX±0.13					4P + 20S + 8P	
				angles	.XXX±.002/0.XXX±0.051					VERTICAL STB RECEPT	
				dr	0° ± 2°	RYAN YUAN 03/29/06		INCH/MM		product family PwrBlade code	
				enrg		SALLY LUO 03/29/06		scale		size dwg no	
				chr		BEER FU 03/29/06		1:1		A 51940-188	
				appd		JOSEPH HSIA 03/29/06				sheet 213	
sheet index		revision sheet								sheet 4 of 4	

1 | 2

3 |

4

Pro/E

cage code 22526