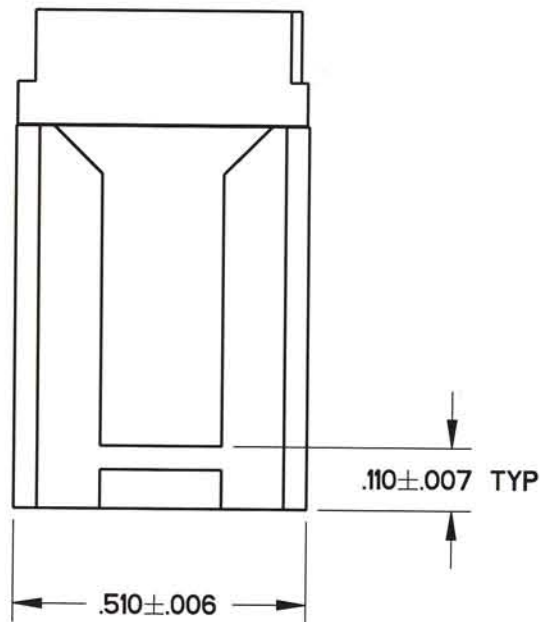
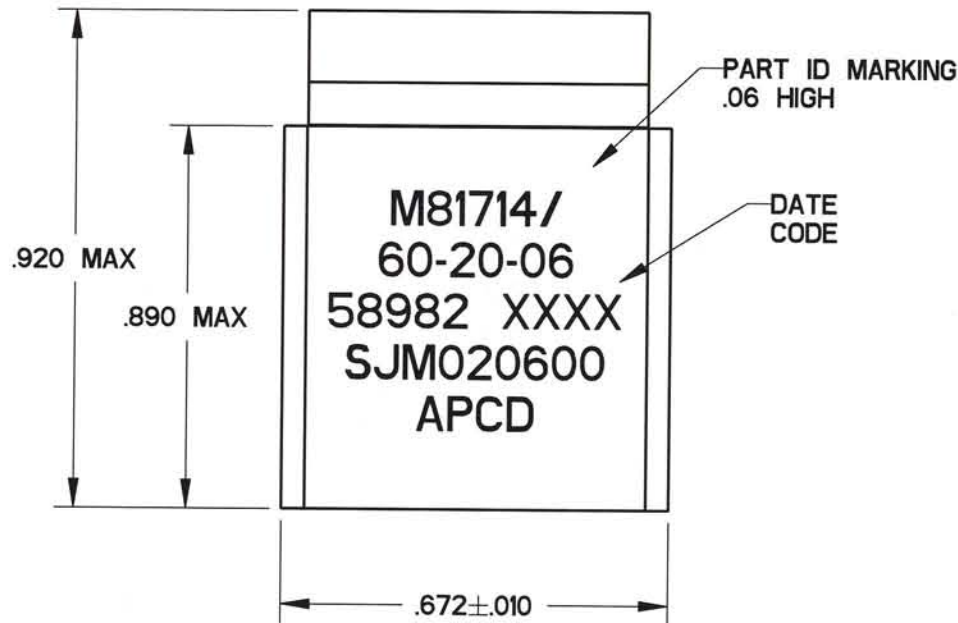
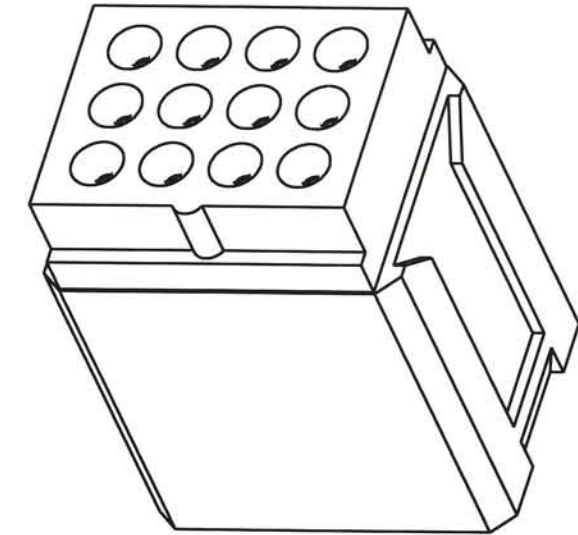
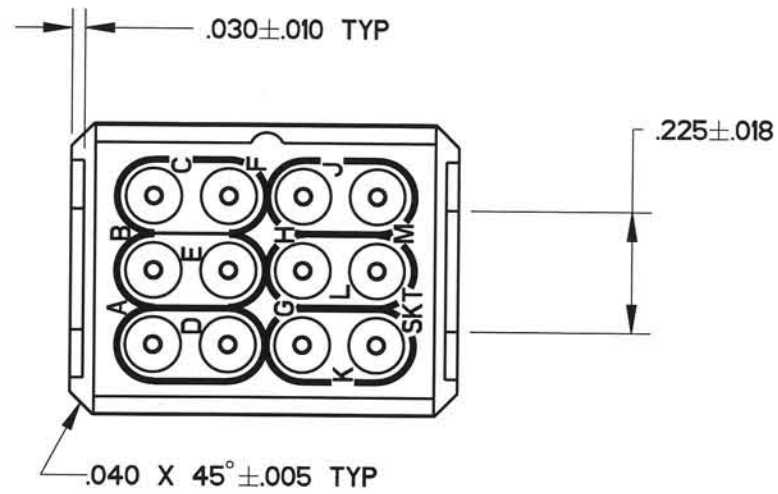


SJM020600

REV	ECN	APP'D
K	5839	JT 4-14-06



- NOTES:
- MATERIALS:
 BODY: POLYETHERIMIDE PER MIL-P-46184.
 GROMMET: SILICONE BLEND ELASTOMER.
 CONTACT RETAINERS: STAINLESS STEEL.
 INTERNAL PIN CONTACTS: COPPER ALLOY, HARD GOLD PLATE PER MIL-G-45204.
 - PERFORMANCE SPECIFICATIONS:
 OPERATING TEMP: -65° TO 200°C
 INSULATION RESISTANCE: 5000 MEGOHMS IN @ 25°C
 DIELECTRIC WITHSTANDING VOLTAGE: 1500 VRMS AT SEA LEVEL AND 200 VRMS AT 110,000 FT. ALTITUDE
 CURRENT RATING: 7.5 AMPS.
 VIBRATION AND SHOCK: PER MIL-T-81714, PARAGRAPH 3.5.5 AND 3.5.8.
 - MODULE ACCEPTS M39029/22-192 CONTACT AND MS27488-20 SEALING PLUG. (SEE TABLE)

APCD P/N	SUPPLIED		MARKING	
	SKTS	PLUGS	APCD PART NO.	MIL. NO.
SJM020600	13	2	SJM020600	M81714/60-20-06
SJM020601	-	-		

DIMENSIONS ANSI Y14.5M UNITS: INCHES Pro/E FILE	TOLERANCES .XX ±0.01 .XXX ±0.005 ANGLES ±2.0°	PROJECTION 	Amphenol Pcd SPECIFICATION DRAWING ENGR R. SWAINE 03/16/06		TITLE SOCKET JUNCTION MODULE SIZE 20, 06	
			ORIGINAL 	THIS DOCUMENT CONTAINS PROPRIETARY INFORMATION WHICH IS THE CONFIDENTIAL PROPERTY OF AMPHENOL PCD INC., PEABODY, MA CHKD [Signature] 4-14-06 APPD [Signature] 4-14-06		SIZE B
		CODE: 58982		SCALE: 3:1		SHEET 1 OF 1

SJM020600

SJM020600