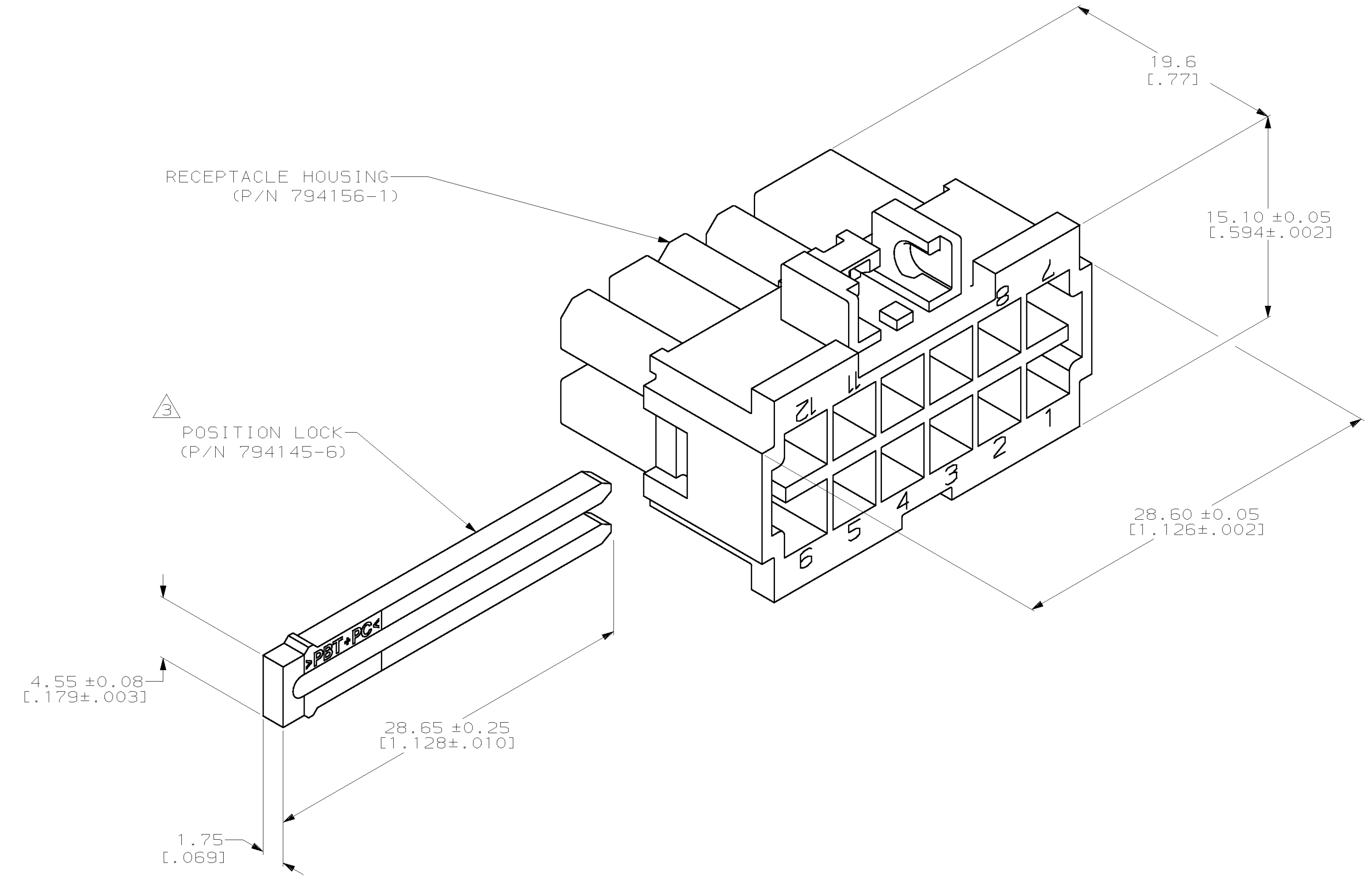


LOC		QTY		REVISIONS			
CM	53	TR	LYR	DESCRIPTION	DATE	OWN	APVD
		C	REV PER EC	OL30-0233-97	12-8-97	JH	RS

- BULK KITS CONSIST OF BAGS WHICH CONTAIN EQUAL QUANTITIES OF RECEPTACLE HOUSINGS AND POSITION LOCKS.
- RECEPTACLE HOUSINGS AND POSITION LOCKS MAY BE ORDERED SEPARATELY.  
 RECEPTACLE HOUSING P/N: 794156-1  
 POSITION LOCK P/N: 794145-6
- TERMINAL MUST BE INSERTED INTO RECEPTACLE HOUSING SO THAT THE TOP OF THE WIRE AND INSULATION CRIMPS FACE THE INTERIOR OF THE HOUSING. INSTALL POSITION LOCK AFTER FULLY SEATING ALL TERMINATED AMP-DUAC™ SOCKET CONTACTS AND KEYING RECEPTACLES. POSITION LOCK MAY BE INSTALLED IN EITHER SIDE OF THE RECEPTACLE HOUSING.
- DIMENSIONS IN BRACKETS ARE IN INCHES.



794322-1  
PART NUMBER



THIS DRAWING IS A CONTROLLED DOCUMENT.		OWN R. VESTAL 9-09-97	AMP AMP Incorporated Harrisburg, PA 17105-3608
		CHK R. SWING 9-09-97	
		APVD C. CASH 9-09-97	NAME KIT, BULK, RECEPTACLE HOUSING AND POSITION LOCK, 12 CIRCUIT, AMP-DUAC/PL™ POWER CONNECTOR
DIMENSIONS mm	TOLERANCES UNLESS OTHERWISE SPECIFIED.	PRODUCT SPEC 108-1646	APPLICATION SPEC 114-6067
MATERIAL PBT, UL 94V-0, NATURAL	FINISH -	HEIGHT -	SIZE A1
CUSTOMER DRAWING		SCALE 4:1	SHEET 1 OF 1