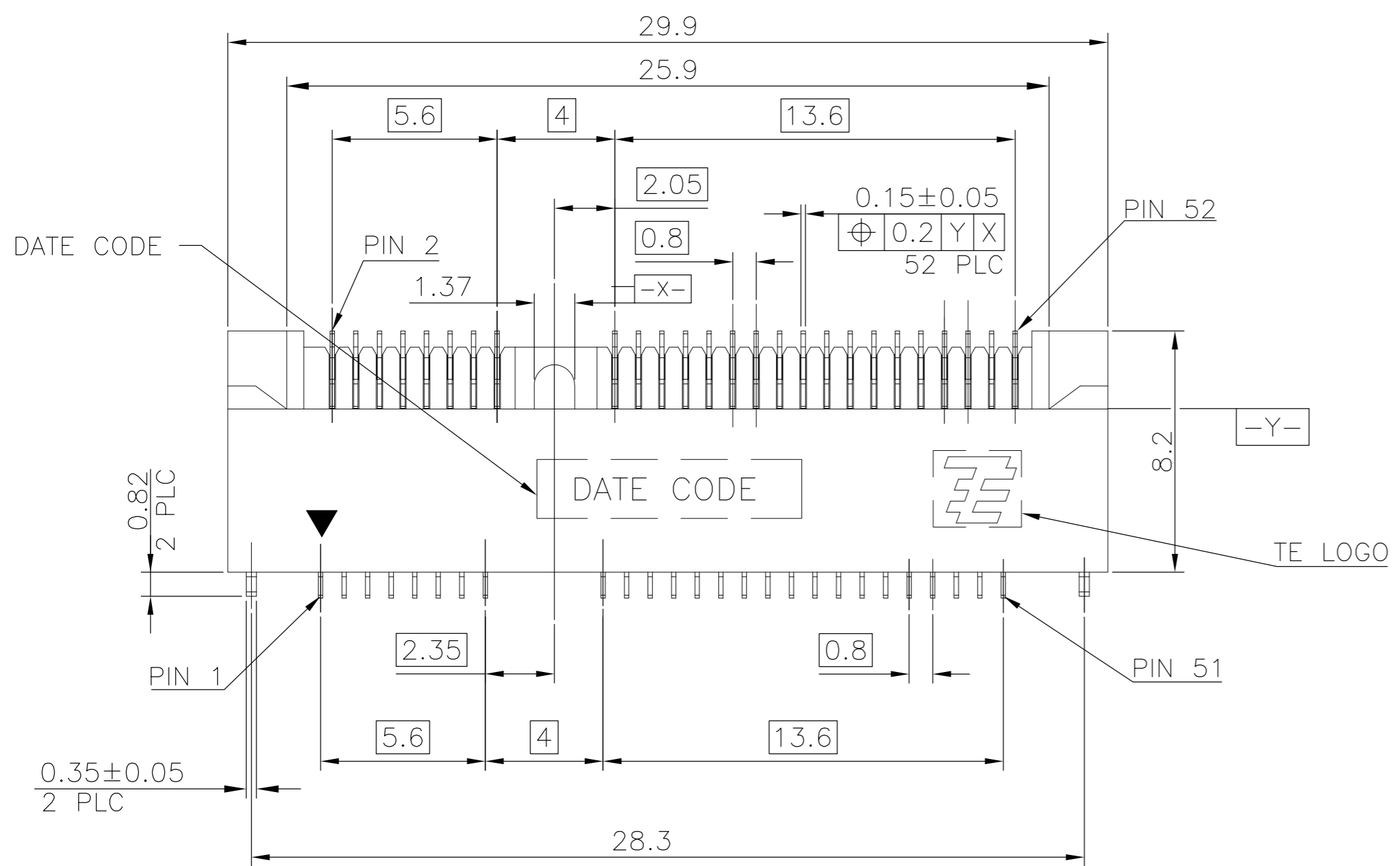


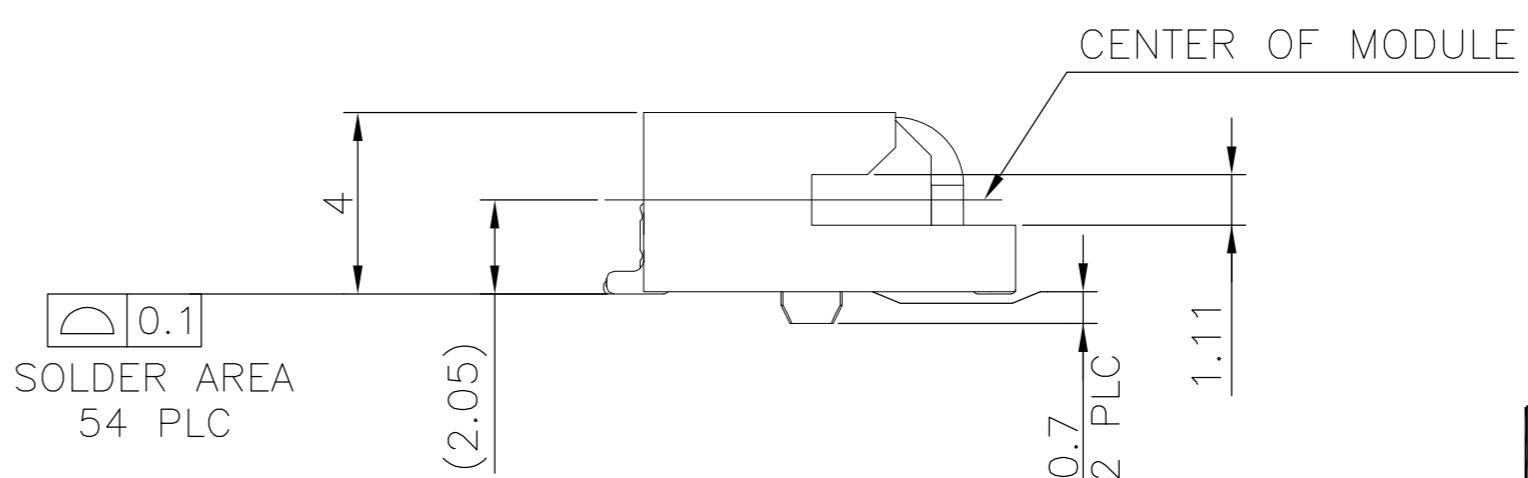
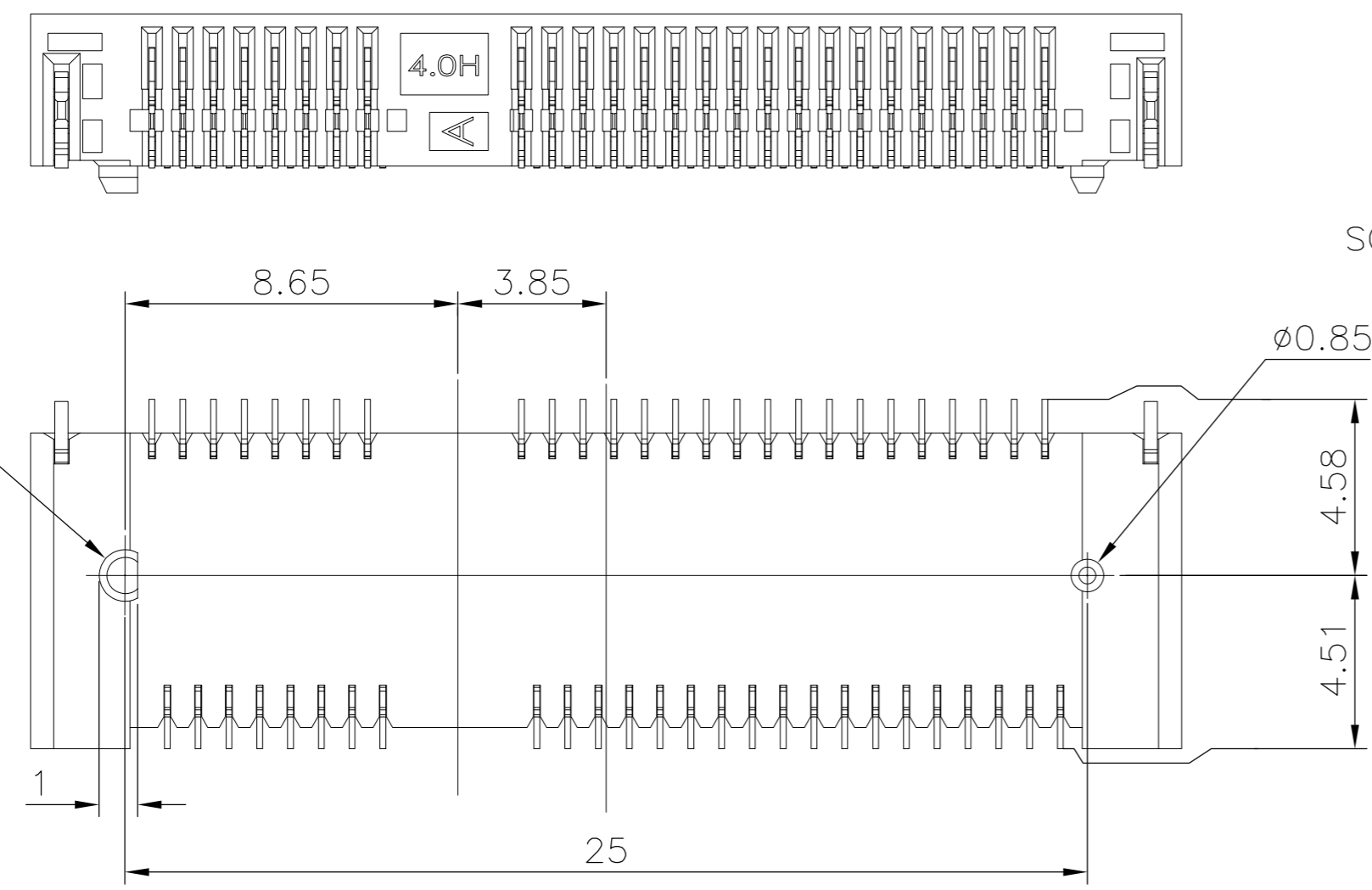
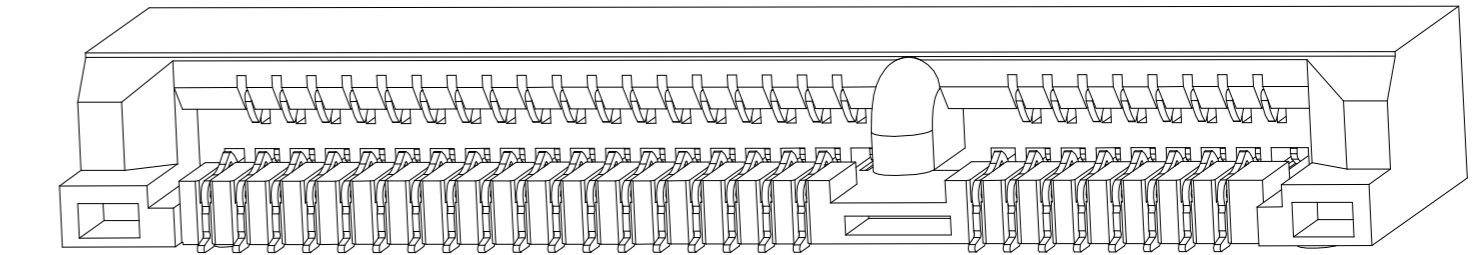
THIS DRAWING IS UNPUBLISHED. RELEASED FOR PUBLICATION
 © COPYRIGHT 2012 BY TE CONNECTIVITY. ALL RIGHTS RESERVED.

REVISIONS					
P	LTR	DESCRIPTION	DATE	DWN	APVD
G		REVISED PER ECR-16-006365	01JUN16	DZ	SL



NOTES:

- MATERIAL:
 HOUSING: LCP WITH 30% GF, UL 94V-0, BLACK COLOR.
 CONTACTS: PHOSPHOR BRONZE.
 PEGS: BRASS.
- FINISH:
 CONTACTS: (SEE TABLE) GOLD PLATED ON CONTACT AREA, GOLD FLASH ON SOLDER AREA, WITH ENTIRE CONTACT UNDERPLATED 1.27µm [50µ"] MIN. NICKEL.
 PEGS: 3.048µm [120µ"] MIN. MATTE-TIN OVER 1.27µm [50µ"] MIN. NICKEL.
- REFLOW SOLDER CAPABLE TO 260° PER TEC-109-201, CONDITION B.
- SUBSTANCE RESTRICTIONS FOR LOW HALOGEN (BY WEIGHT):
 - BROMINE (Br) ≤ 900 PPM (0.09%)
 - CHLORINE (Cl) ≤ 900 PPM (0.09%)
 - TOTAL CONCENTRATION OF CHLORINE (Cl) + BROMINE (Br) ≤ 1500 PPM (0.15%)



OBSOLETE	TYPE II	0.254µm [10µ"]	1-1775861-3
		GOLD FLASH	1-1775861-2
OBSOLETE	TYPE I	0.0762µm [5µ"]	1775861-4
		GOLD FLASH	1775861-2
OBSOLETE		0.254µm [10µ"]	1775861-1
	PACKING TYPE	MIN. GOLD THICKNESS	PART NUMBER

THIS DRAWING IS A CONTROLLED DOCUMENT.		DWN	A. WU	25SEP2009		TE Connectivity						
DIMENSIONS: mm		CHK	S. CHIEN	25SEP2009		NAME						
TOLERANCES UNLESS OTHERWISE SPECIFIED:		APVD	W. KODAMA	25SEP2009		PRODUCT SPEC						
0 PLC ± - 1 PLC ± 0.3 2 PLC ± 0.2 3 PLC ± - 4 PLC ± - ANGLES ± 3° FINISH -		APPLICATION SPEC		108-99102								
MATERIAL		WEIGHT	1.172 GRAMS		SIZE	A2	CAGE CODE	00779	DRAWING NO	C=1775861	RESTRICTED TO	-
		CUSTOMER DRAWING		SCALE	-	SHEET	1 of 4		REV	G		

REVISIONS					
P	LTR	DESCRIPTION	DATE	DWN	APVD
-	-	SEE SHEET 1	-	-	-

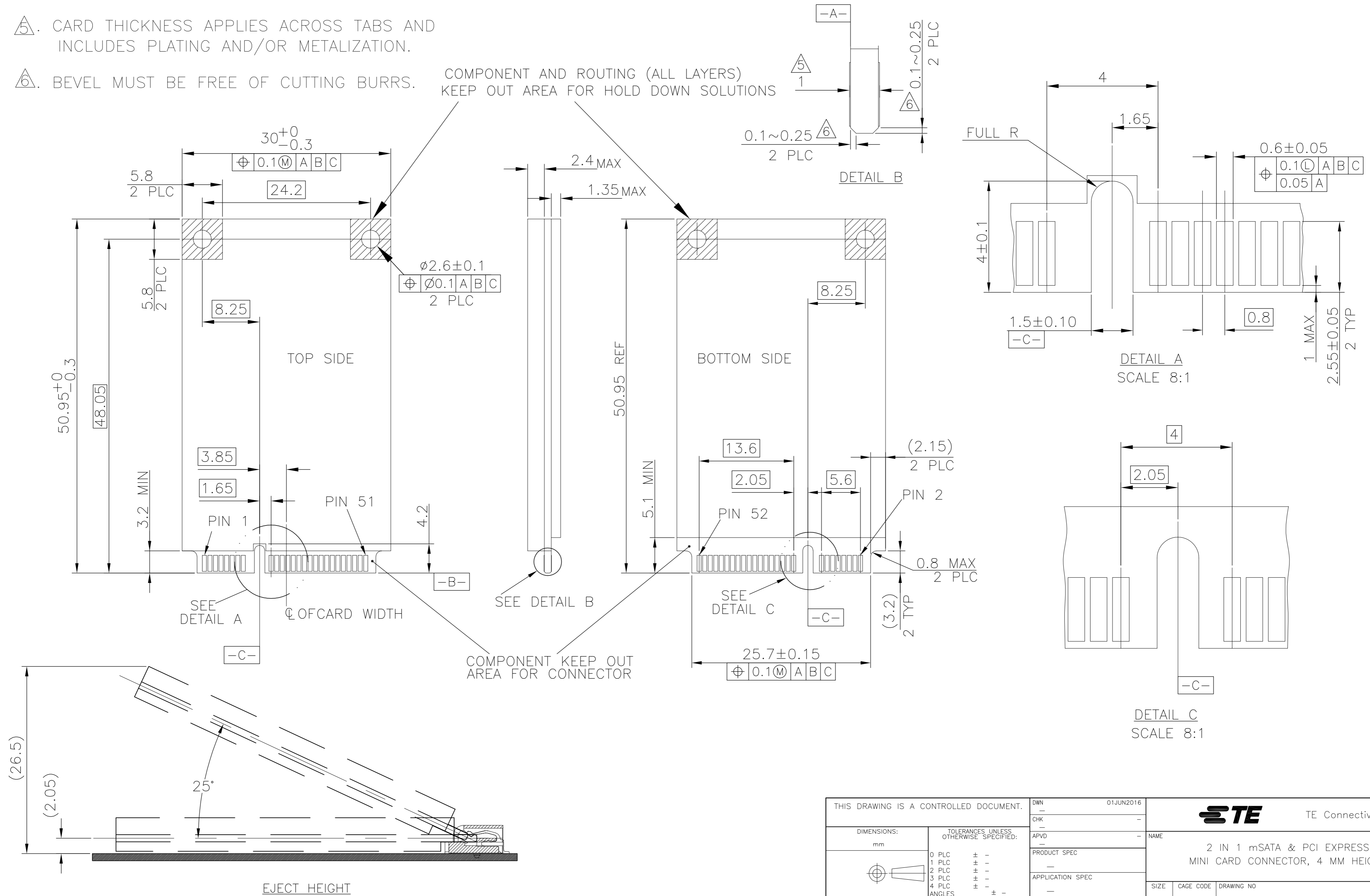
4. PCI EXPRESS MINI CARD, PCB THICKNESS 1 MM.

5. CARD THICKNESS APPLIES ACROSS TABS AND INCLUDES PLATING AND/OR METALIZATION.

6. BEVEL MUST BE FREE OF CUTTING BURRS.

COMPONENT AND ROUTING (ALL LAYERS) KEEP OUT AREA FOR HOLD DOWN SOLUTIONS

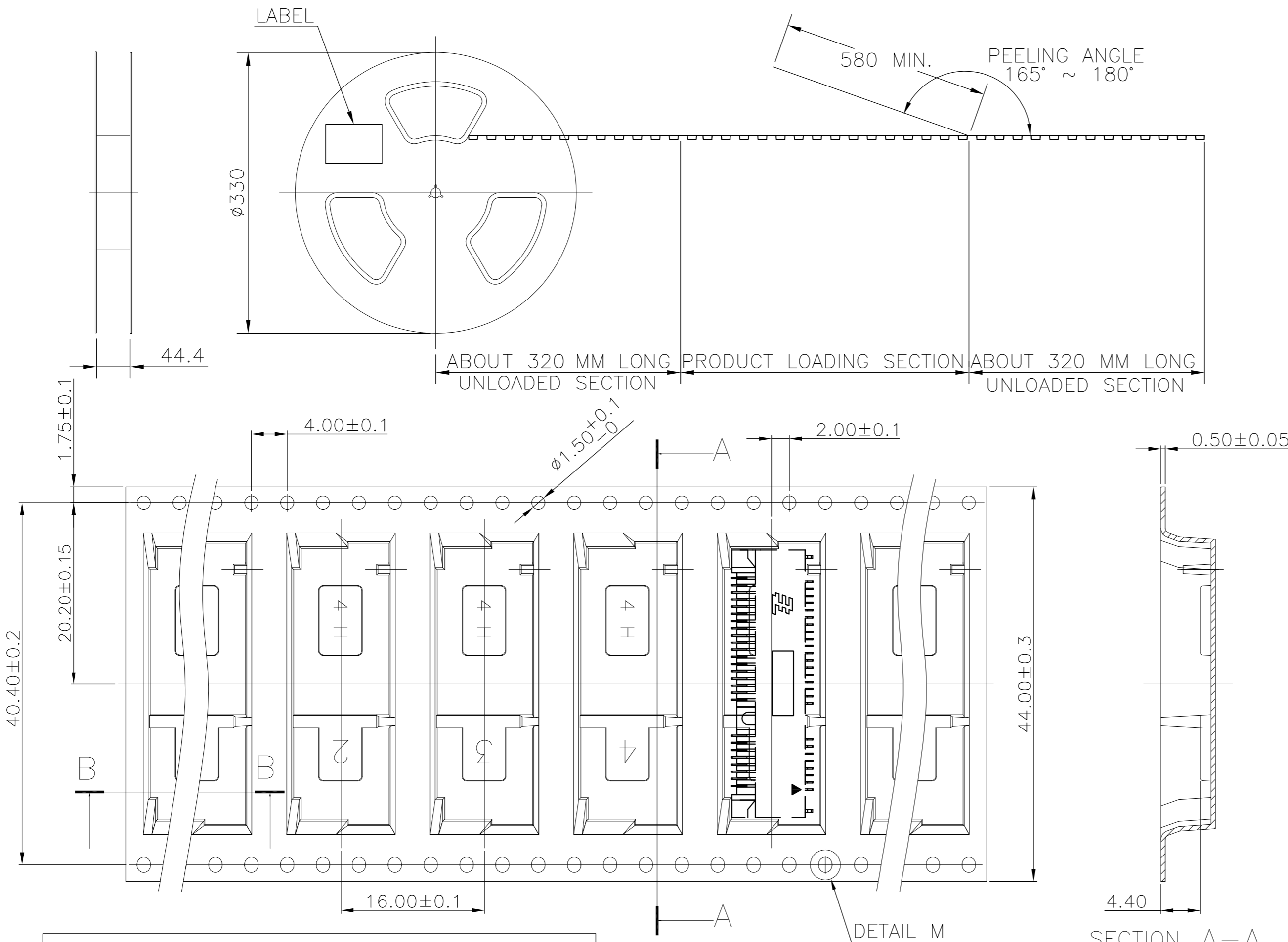
COMPONENT KEEP OUT AREA FOR CONNECTOR



THIS DRAWING IS A CONTROLLED DOCUMENT.		DWN	01JUN2016			TE Connectivity	
DIMENSIONS: mm		CHK	-			NAME	
TOLERANCES UNLESS OTHERWISE SPECIFIED:		APVD	-		2 IN 1 mSATA & PCI EXPRESS MINI CARD CONNECTOR, 4 MM HEIGHT		
0 PLC	± -	PRODUCT SPEC	-		SIZE	CAGE CODE	DRAWING NO
1 PLC	± -	APPLICATION SPEC	-		A2	00779	C=1775861
2 PLC	± -	WEIGHT	-		RESTRICTED TO		
3 PLC	± -	CUSTOMER DRAWING	-		SCALE	SHEET	3 OF 4
4 PLC	± -		-		REV	G	
ANGLES	± -		-				
FINISH	-		-				

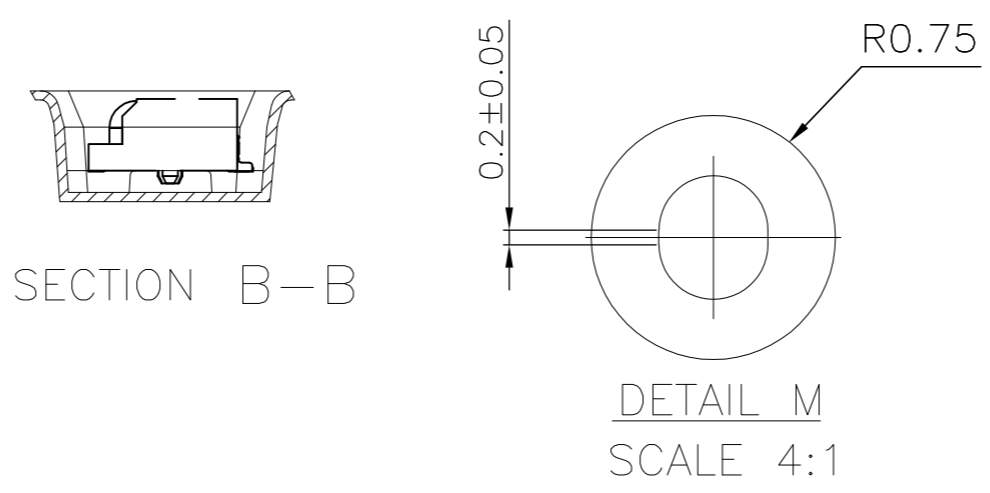
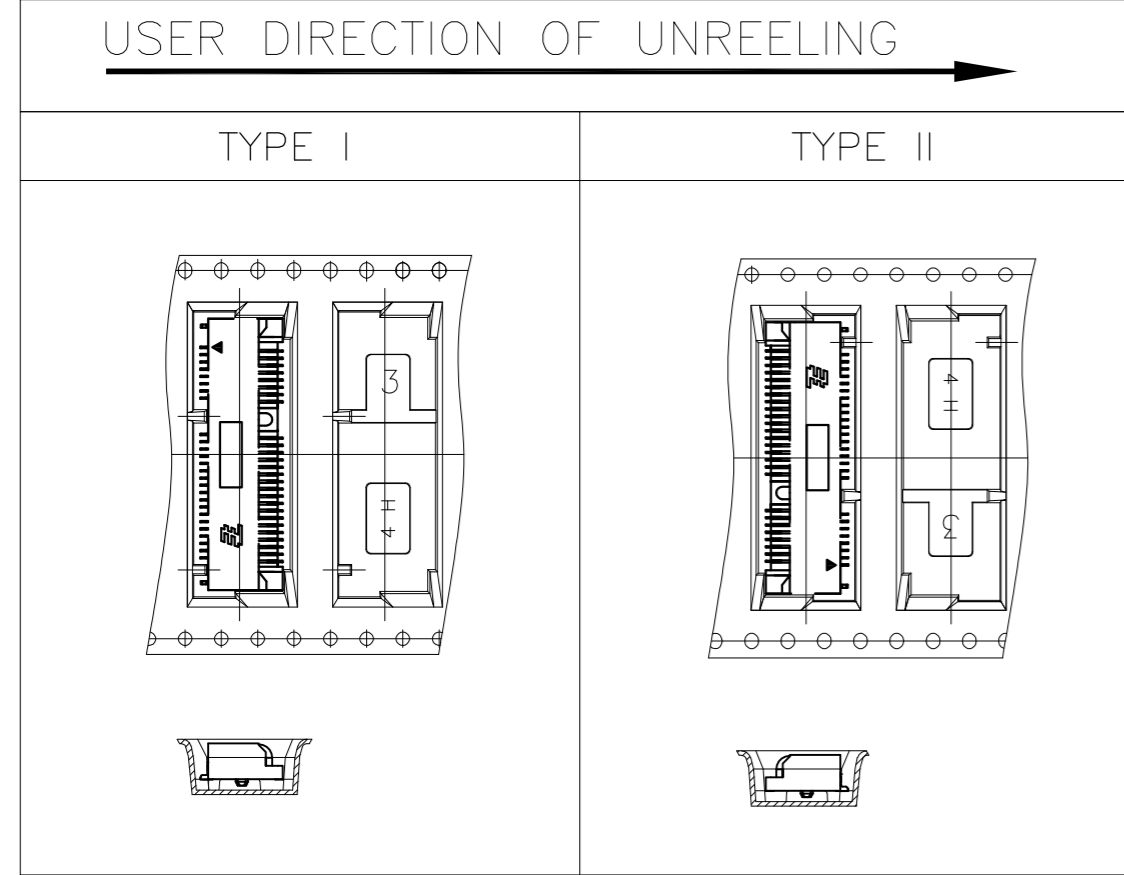
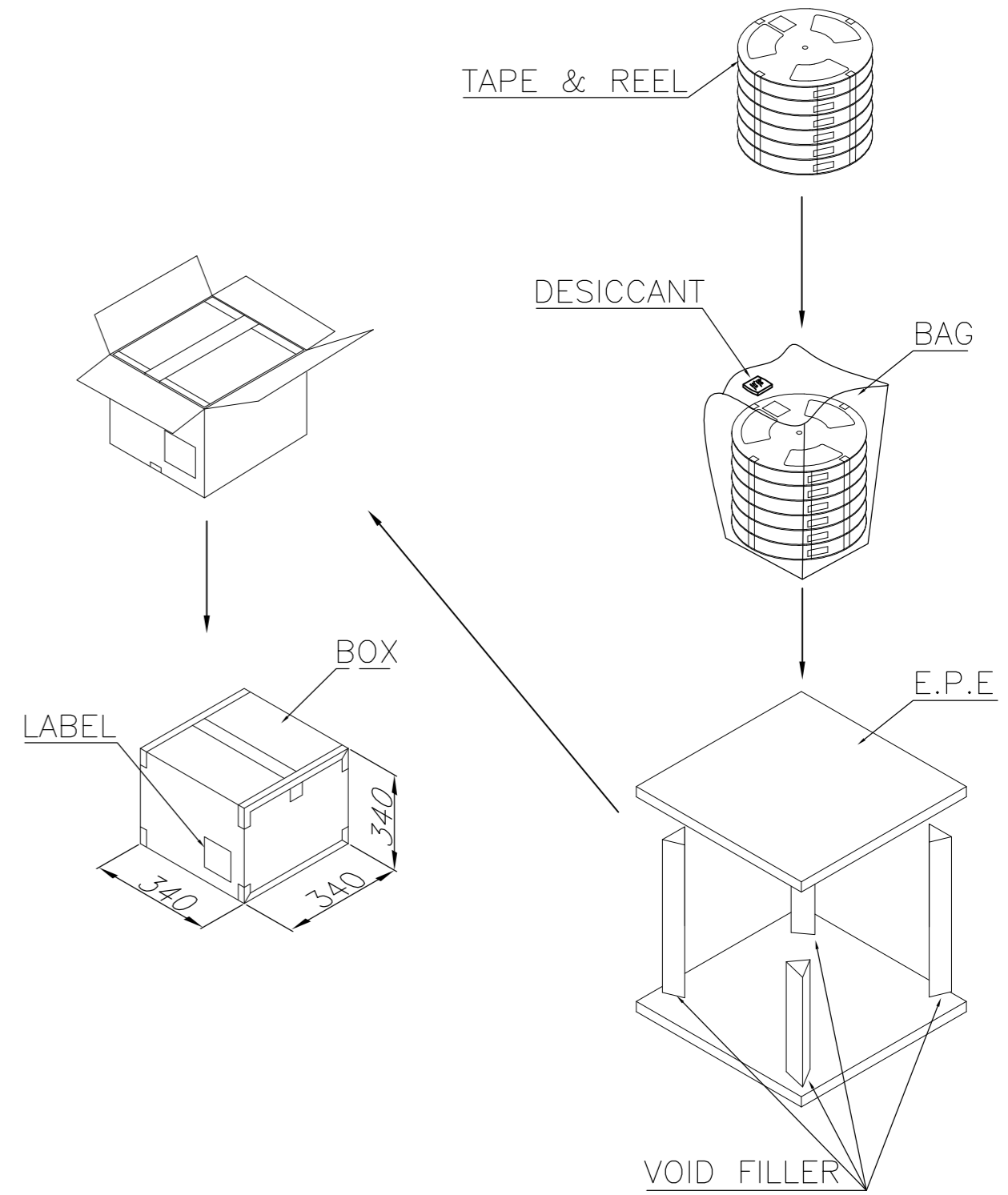
THIS DRAWING IS UNPUBLISHED. RELEASED FOR PUBLICATION
 © COPYRIGHT 2012 BY TE CONNECTIVITY. ALL RIGHTS RESERVED.

REVISIONS				
P	LTR	DESCRIPTION	DATE	APVD
-	-	SEE SHEET 1	-	-



NOTES:

- MATERIAL:
 BOX: FIBREBOARD, CORRUGATED, DOUBLE WALL.
 COVER TAPE: POLYSTYRENES, TRANSPARENT COLOR.
 CARRIER TAPE: POLYSTYRENES, TRANSPARENT COLOR.
 REEL: HIPS, BLUE COLOR.
 BAG: POLYETHYLENES, TRANSPARENT COLOR.
- EACH BAG SHALL BE INCLUDED DESICCANT.
- PEELING STRENGTH: 0.1 ~ 1.3 N (10 ~ 130 GRAMS).
- PEELING SPEED: 300 mm/min.



3900 PCS	650	6	9.5	4.618
QUANTITY	PCS/TAPE	REELS/BOX	G/W(Kg)	N/W(Kg)

THIS DRAWING IS A CONTROLLED DOCUMENT.		DWN	01JUN2016	TE Connectivity	
DIMENSIONS: mm		CHK	-	NAME	
TOLERANCES UNLESS OTHERWISE SPECIFIED:		APVD	-	2 IN 1 mSATA & PCI EXPRESS MINI CARD CONNECTOR, 4 MM HEIGHT	
0 PLC	± -	PRODUCT SPEC	-	SIZE	CAGE CODE
1 PLC	± -	APPLICATION SPEC	-	A2	00779
2 PLC	± -	WEIGHT	-	DRAWING NO	C=1775861
3 PLC	± -	CUSTOMER DRAWING	-	RESTRICTED TO	-
4 PLC	± -	SCALE	-	SHEET	4 OF 4
ANGLES	± -	REV	G		
FINISH	-				