

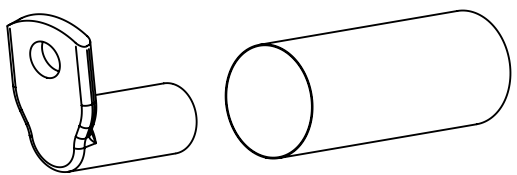
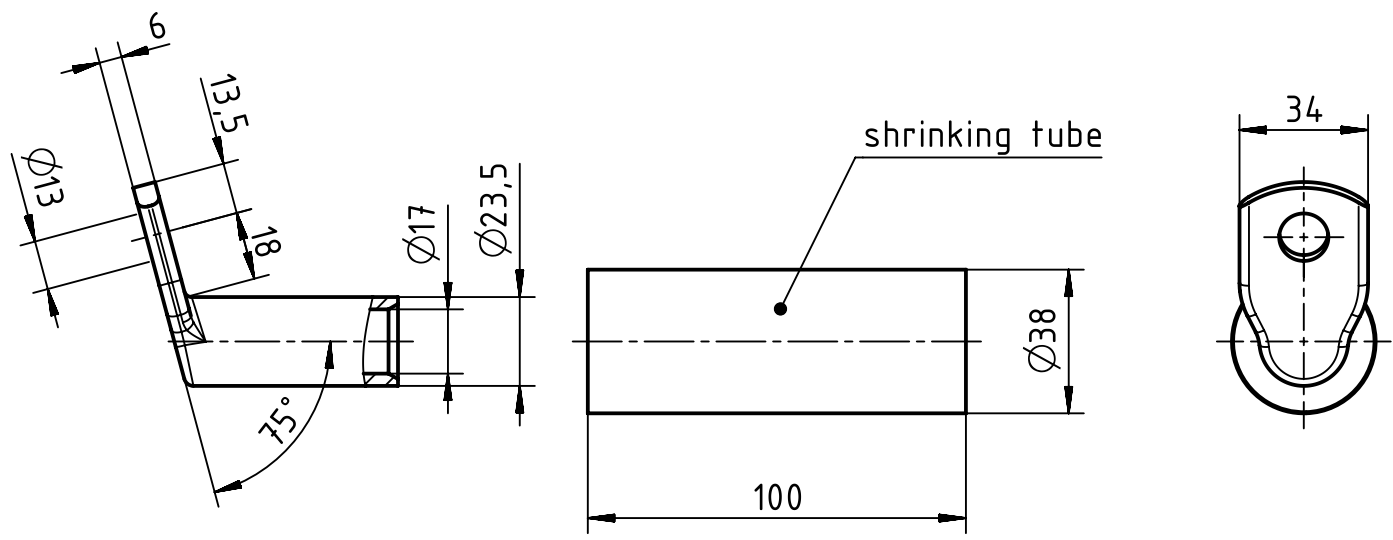
1 2 3 4 5 6


A

B

C

D



	All Dimensions in mm Original Size DIN A4		Scale 1:2	Free size tol.		Ref.		
	All rights reserved Department EL PD - DE		Created by WULF	Inspected by SCHLEGEL	Standardisation TIEMANNA	Date 2017-02-02	State Final Release	
HARTING Electric GmbH & Co. KG D-32339 Espelkamp			Title cable lug 150qmm angled 75° for HC650				Doc-Key / ECM-Nr. 100664727/UGD/000/D 500000114829	
			Type TB	Number 09 11 000 8118			Rev. D	Page 1/1