

10 9 8 7 6 5 4 3 2 1

F

F

E

E

D

D

C

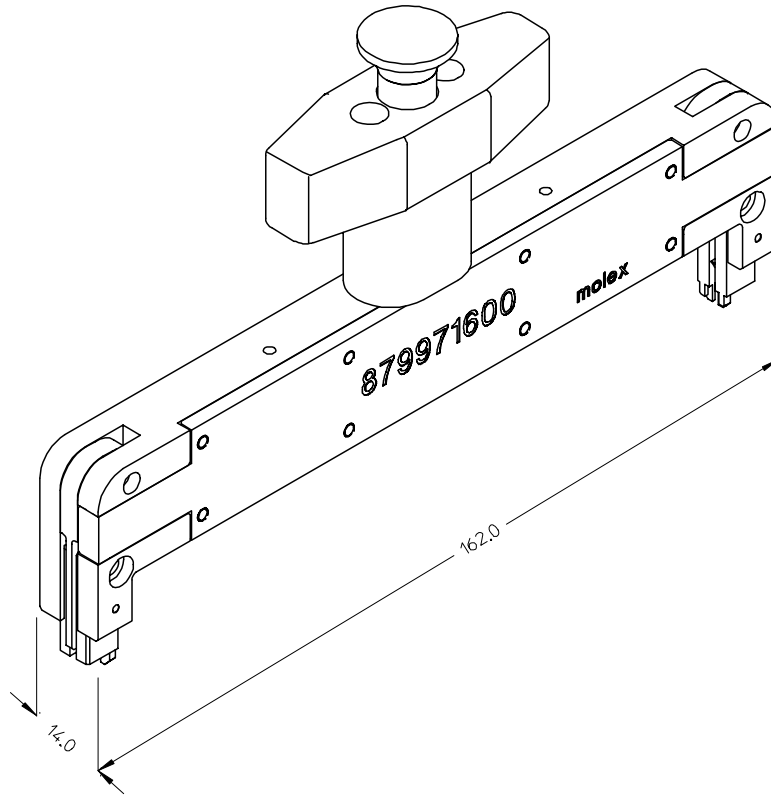
C

B

B

A

A



EC NO: S2005-0482 2004/12/17 DRWN:HYSOH 2004/12/17 CHKD:YYCHIN 2004/12/17 APPR:WPTAY 2004/12/17	QUALITY SYMBOLS ▽=0 ▽=0	GENERAL TOLERANCES (UNLESS SPECIFIED)		DIMENSION STYLE MM ONLY		SCALE NTS	DESIGN UNITS METRIC	THIRD ANGLE PROJECTION		
		4 PLACES ± --- ± ---	mm INCH	DRAWN BY HYSOH	DATE 2004/11/14	TITLE MODULE CARD EXTRACTOR DDR2, 1MM PITCH 276 CKTS VERT P/F, METAL LATCH				
		3 PLACES ± 0.01 ± ---		CHECKED BY YYCHIN	DATE 2004/12/15	MOLEX INCORPORATED				
		2 PLACES ± 0.05 ± --- 1 PLACE ± 0.10 ± --- ANGULAR ± 2 °		APPROVED BY WPTAY	DATE 2004/12/15	MATERIAL NO. 87997-1600	DOCUMENT NO. SD-87997-002	SHEET NO. 1 OF 1		
A	REV	DRAFT WHERE APPLICABLE MUST REMAIN WITHIN DIMENSIONS		SIZE A3	THIS DRAWING CONTAINS INFORMATION THAT IS PROPRIETARY TO MOLEX INCORPORATED AND SHOULD NOT BE USED WITHOUT WRITTEN PERMISSION					

9 8 7 6 5 4 3 2 1