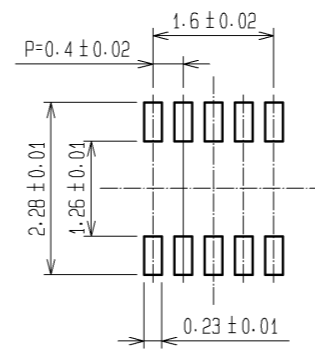
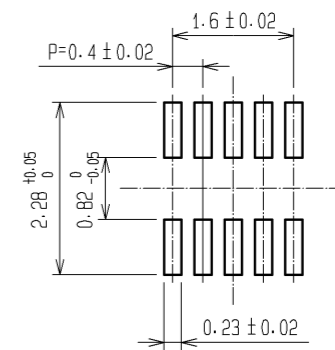


RECOMMENDED METAL MASK  
OPENING PATTERN

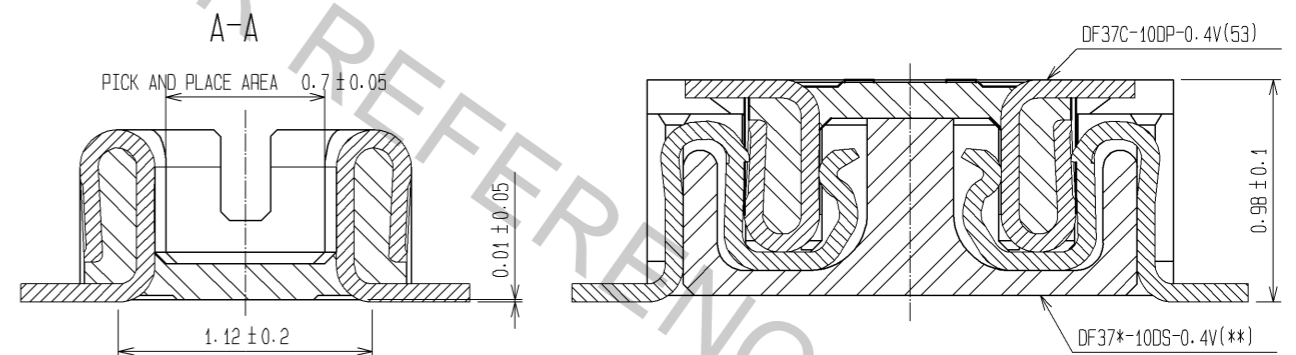


RECOMMENDED PATTERN



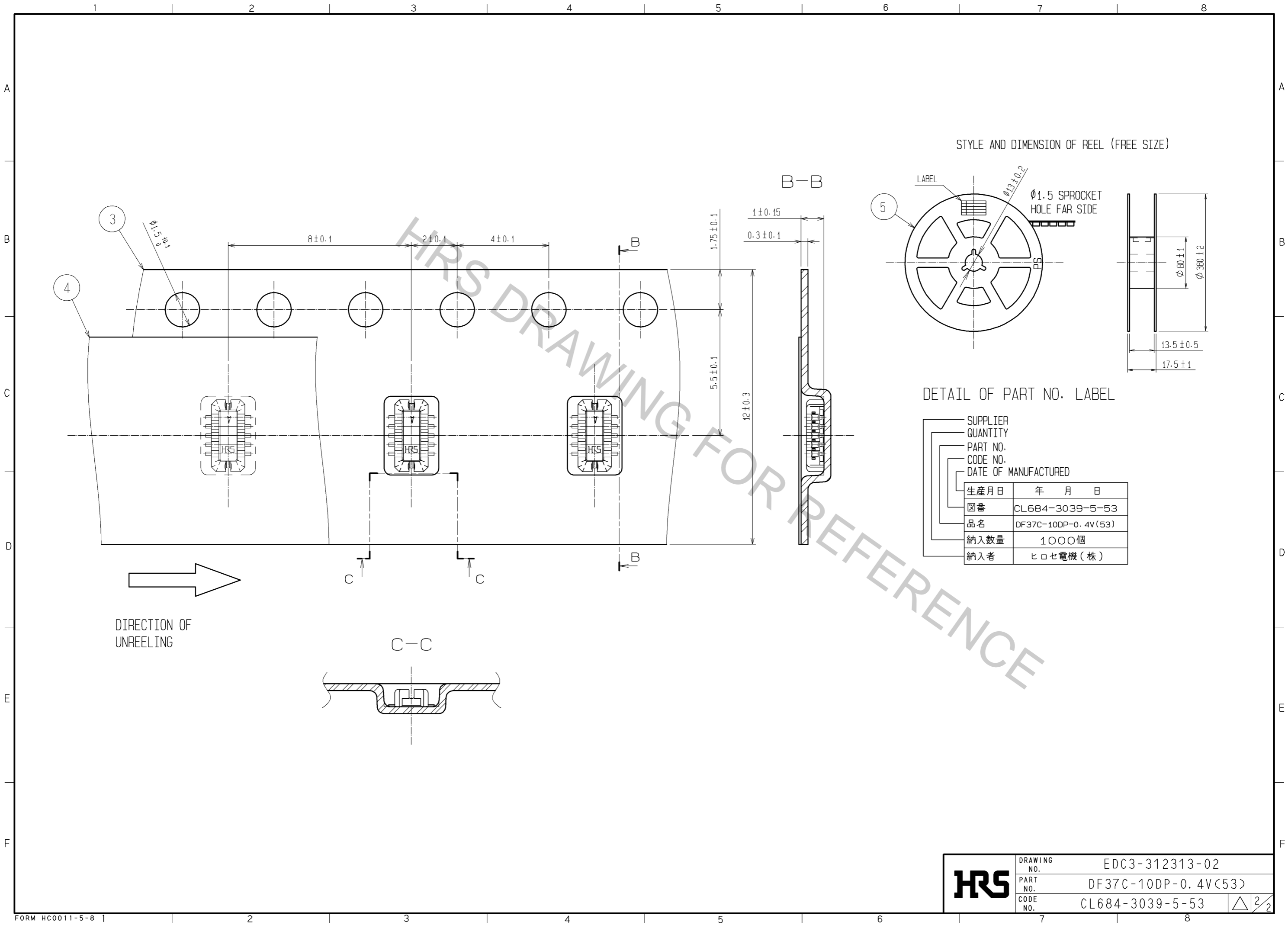
RECOMMENDED SOLDER PASTE THICKNESS: 120µm

ENGAGEMENT FIGURE



- NOTE 1. ALL LEADS CO-PLANARITY SHALL BE 0.1 MAX.  
 2. PER REEL : 1000 CONNECTORS.  
 3. AT THE BEGINNING OF THE REEL, 100 mm AT MIN SHALL BE EMPTY POCKETS.  
 AT THE END OF THE REEL, 160 mm AT MIN SHALL BE EMPTY.  
 4. CONTACT PLATING SPECIFICATIONS.  
 CONTACT AREA : GOLD 0.05µm MIN.  
 SMT LEAD : GOLD 0.05µm MIN.  
 UNDERPLATING : NICKEL 1µm MIN.  
 (SURFACE : SEALING)  
 5. PEEL FORCE OF COVER TAPE REFERS TO JIS C 0806.

2	PHOSPHOR BRONZE	4	5	PS	PLASTIC REEL (BLACK)
1	LCP	UL94V-0, BLACK	4	POLYESTER	CLEAR(COVER TAPE)
			3	PS	CLEAR(EMBOSSED CARRIER TAPE)
NO.	MATERIAL	FINISH, REMARKS	NO.	MATERIAL	FINISH, REMARKS
UNITS	⊙	SCALE	COUNT	DESCRIPTION OF REVISIONS	
mm		FREE	△	DESIGNED	CHECKED
APPROVED : KH. IKEDA		08.12.26	DRAWING NO. EDC3-312313-02		
CHECED : TS. MIYAZAKI		08.12.26	PART NO. DF37C-10DP-0.4V(53)		
DESIGNED : RT. SHIMIZU		08.12.24	CODE NO. CL684-3039-5-53		
DRAWN : AK. AOYAGI		08.12.24	DATE		
HRS HIROSE ELECTRIC CO., LTD.				1/2	



<b>HRS</b>	DRAWING NO.	EDC3-312313-02
	PART NO.	DF37C-10DP-0.4V(53)
	CODE NO.	CL684-3039-5-53
		△ 2/2