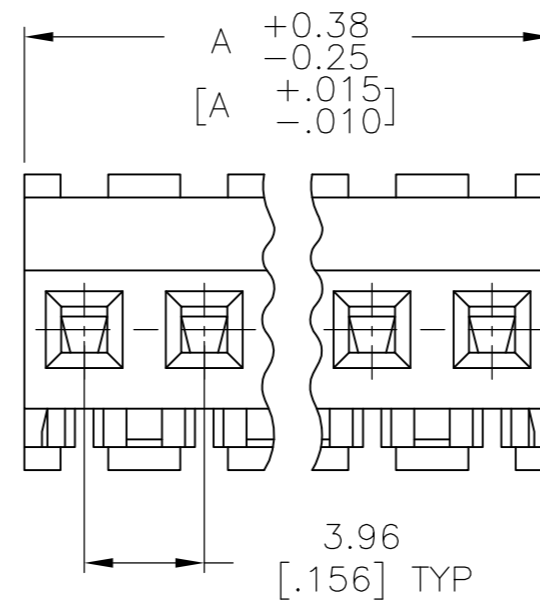
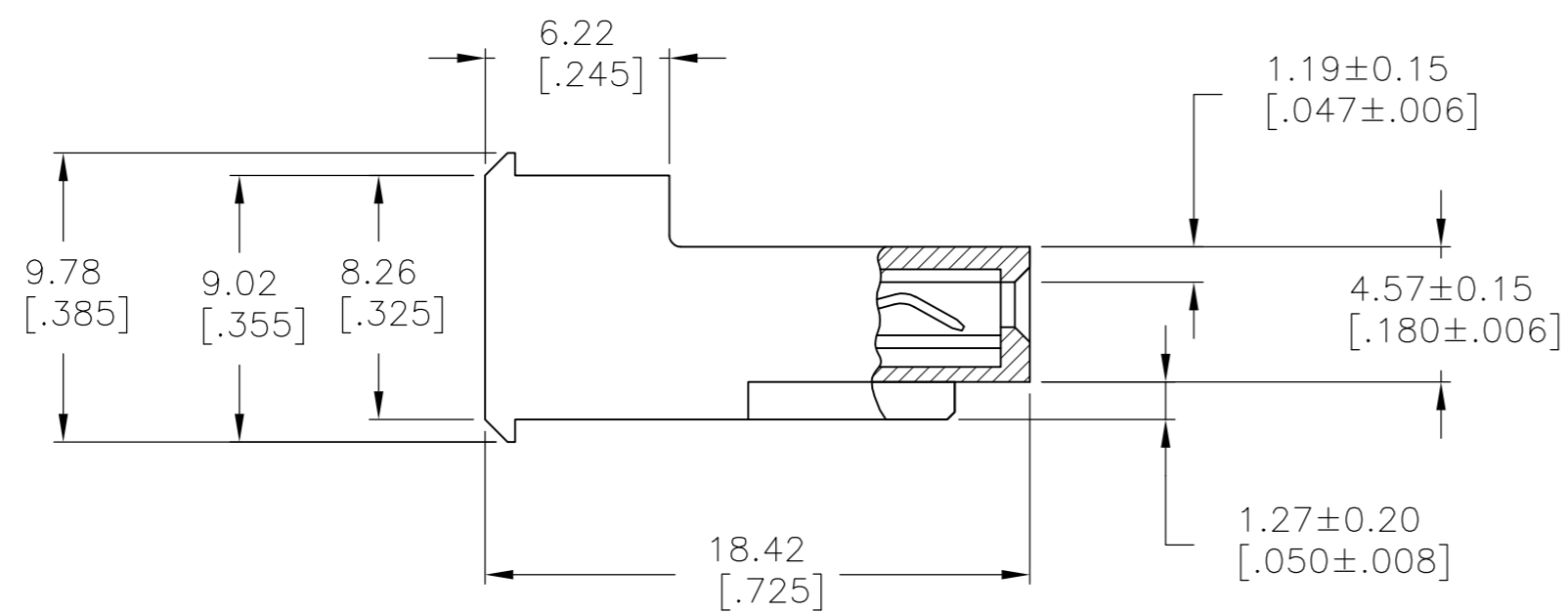
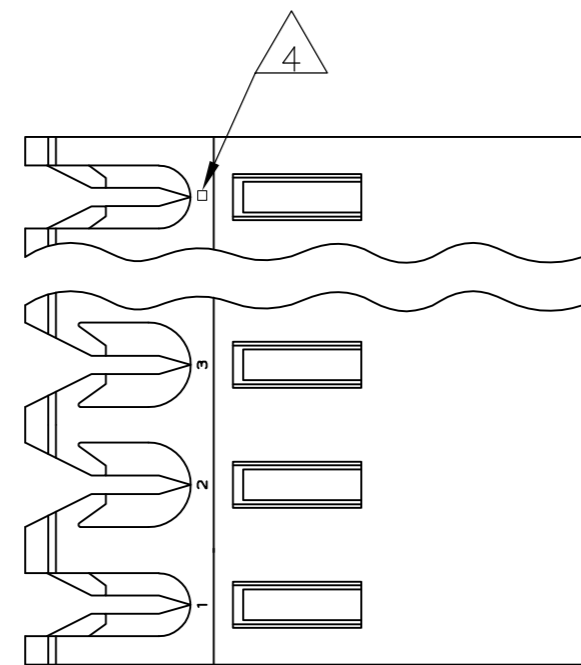


THIS DRAWING IS UNPUBLISHED. RELEASED FOR PUBLICATION  
 © COPYRIGHT - By - ALL RIGHTS RESERVED.

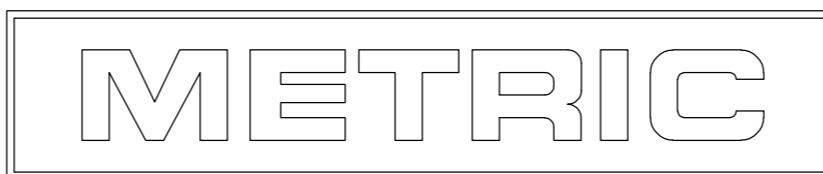
LOC	DIST	REVISIONS					
CM	54	P	LTR	DESCRIPTION	DATE	DWN	APVD
		V		REVISED PER ECO-12-007611	30JUL12	KH	SM



95.10	[3.744]	24	5-640605-4
91.14	[3.588]	23	5-640605-3
87.17	[3.432]	22	5-640605-2
83.21	[3.276]	21	5-640605-1
79.25	[3.120]	20	5-640605-0
75.29	[2.964]	19	4-640605-9
71.32	[2.808]	18	4-640605-8
67.36	[2.652]	17	4-640605-7
63.40	[2.496]	16	4-640605-6
59.44	[2.340]	15	4-640605-5
55.47	[2.184]	14	4-640605-4
51.51	[2.028]	13	4-640605-3
47.55	[1.872]	12	4-640605-2
43.59	[1.716]	11	4-640605-1
39.62	[1.560]	10	4-640605-0
35.66	[1.404]	9	3-640605-9
31.70	[1.248]	8	3-640605-8
27.74	[1.092]	7	3-640605-7
23.77	[.936]	6	3-640605-6
19.81	[.780]	5	3-640605-5
15.85	[.624]	4	3-640605-4
11.89	[.468]	3	3-640605-3
7.92	[.312]	2	3-640605-2

SUPERSEDED	7	95.10	[3.744]	24	<del>2-640605-4</del>
		91.14	[3.588]	23	<del>2-640605-3</del>
		87.17	[3.432]	22	<del>2-640605-2</del>
		83.21	[3.276]	21	<del>2-640605-1</del>
		79.25	[3.120]	20	<del>2-640605-0</del>
SUPERSEDED	7	75.29	[2.964]	19	<del>1-640605-9</del>
		71.32	[2.808]	18	<del>1-640605-8</del>
		67.36	[2.652]	17	<del>1-640605-7</del>
		63.40	[2.496]	16	<del>1-640605-6</del>
		59.44	[2.340]	15	<del>1-640605-5</del>
		55.47	[2.184]	14	<del>1-640605-4</del>
		51.51	[2.028]	13	<del>1-640605-3</del>
		47.55	[1.872]	12	<del>1-640605-2</del>
		43.59	[1.716]	11	<del>1-640605-1</del>
		39.62	[1.560]	10	<del>1-640605-0</del>
SUPERSEDED	7	35.66	[1.404]	9	<del>640605-9</del>
		31.70	[1.248]	8	<del>640605-8</del>
		27.74	[1.092]	7	<del>640605-7</del>
SUPERSEDED	7	23.77	[.936]	6	<del>640605-6</del>
		19.81	[.780]	5	<del>640605-5</del>
OBSOLETE	7	15.85	[.624]	4	<del>640605-4</del>
		11.89	[.468]	3	<del>640605-3</del>
SUPERSEDED	7	7.92	[.312]	2	<del>640605-2</del>

- 1 MATERIAL: CONNECTOR - NYLON UL94V-2  
CONTACTS - 0.30[.012] THICK COPPER ALLOY  
(BRIGHT TIN-LEAD 0.00203[.000080] MIN. THICK FOR CONTACTS 640605-2 THRU 2-640605-4)  
(MATTE WHISKER MITIGATED TIN 0.00203[.000080] MIN THICKNESS OVER NICKEL UNDERPLATE FOR 3-640605-2 THRU 5-640605-4).
- 2 CONTACTS ACCEPT 20 AWG WIRE WITH 2.41[.095] MAX INSULATION DIAMETER.
- 3 CONTACTS MUST ACCEPT 1.14±0.03[.045±.001] SQUARE POST AND REMAIN LOCKED IN POSITION.
- 4 IDENTIFICATION NUMBER FOR LAST CIRCUIT MAY NOT APPEAR ON ALL ASSEMBLIES.
- 5 DIMENSIONS IN BRACKETS ARE IN INCHES.
- 6 HOUSING FEATURES ARE: FEED-THRU WITHOUT LOCKING RAMP.
- 7 OBSOLETE PARTS: OBSOLETE CIS STREAMLINING PER D.RENAUD/D.SINISI
- 8 YELLOW COLOR STRIPE ON HOUSING (NOT SHOWN) MAY RUN DOWN BETWEEN RIBS



THIS DRAWING IS A CONTROLLED DOCUMENT.		DWN B. LEWIS 12FEB91			
DIMENSIONS: mm [INCHES]		CHK R. SWING 12FEB91			
TOLERANCES UNLESS OTHERWISE SPECIFIED:		APVD D. CLARK 19FEB91	NAME MTA-156 CONNECTOR ASSEMBLY, 20 AWG, STANDARD		
0 PLC ± - 1 PLC ± - 2 PLC ± - 3 PLC ± 0.13 [.005] 4 PLC ± -		PRODUCT SPEC 108-1051	SIZE A2	CAGE CODE 00779	DRAWING NO C-640605
MATERIAL 1		FINISH 1	RESTRICTED TO -	SCALE 4:1	
CUSTOMER DRAWING			SHEET 1 of 1	REV V	